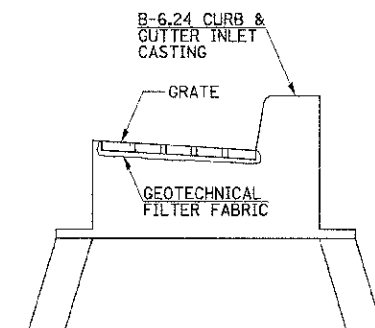


CURB HEIGHT TRANSITION DETAIL



FILTER FABRIC-INLET PROTECTION DETAIL

FILE NAME =	USER NAME = amunts1	DESIGNED -	REVISED -
VA\2555\CADD SHEETS\2555-sh1-detail1-2.dgn		DRAWN -	REVISED -
	PLOT SCALE = 5.0000' / in.	CHECKED -	REVISED -
	PLOT DATE = 3/20/2013	DATE -	REVISED -

**DE KALB COUNTY
C.H. 26 (FIVE POINTS RD.)
OVER SOUTH BRANCH OF KISHWAUKEE RIVER**

**C.H. 26 (FIVE POINTS RD.)
ENTRANCE & SPECIAL DETAILS**

RTE. NO.	SECTION	COUNTY	TOTAL SHEETS	SHEET NO.
CH 26	05-00044-01-BR	DE KALB	49	15
CONTRACT NO. 87477				
FED. ROAD DIST. NO. 7 ILLINOIS FED. AID PROJECT				

SCALE: N/A SHEET NO. 2 OF 2 SHEETS STA. TO STA.