

WEST EDGE OF PARAPET

Location	Station	Offset	Theoretical Grade Elevations
S. End N. App. Slab	20+80.25	-20.000	791.63
A	20+90.25	20.000	791.66
B	21+00.25	-20.000	791.69
N. End N. App. Slab	21+10.25	-20.000	791.71

WEST CURB LINE

Location	Station	Offset	Theoretical Grade Elevations
S. End N. App. Slab	20+83.75	-15.000	791.74
A	20+93.75	-15.000	791.77
B	21+03.75	-15.000	791.80
N. End N. App. Slab	21+13.75	-15.000	791.82

WEST EDGE OF ROADWAY PAVEMENT

Location	Station	Offset	Theoretical Grade Elevations
S. End N. App. Slab	20+85.85	-12.000	791.81
A	20+95.85	-12.000	791.84
B	21+05.85	-12.000	791.87
N. End N. App. Slab	21+15.85	-12.000	791.88

PROFILE GRADE LINE

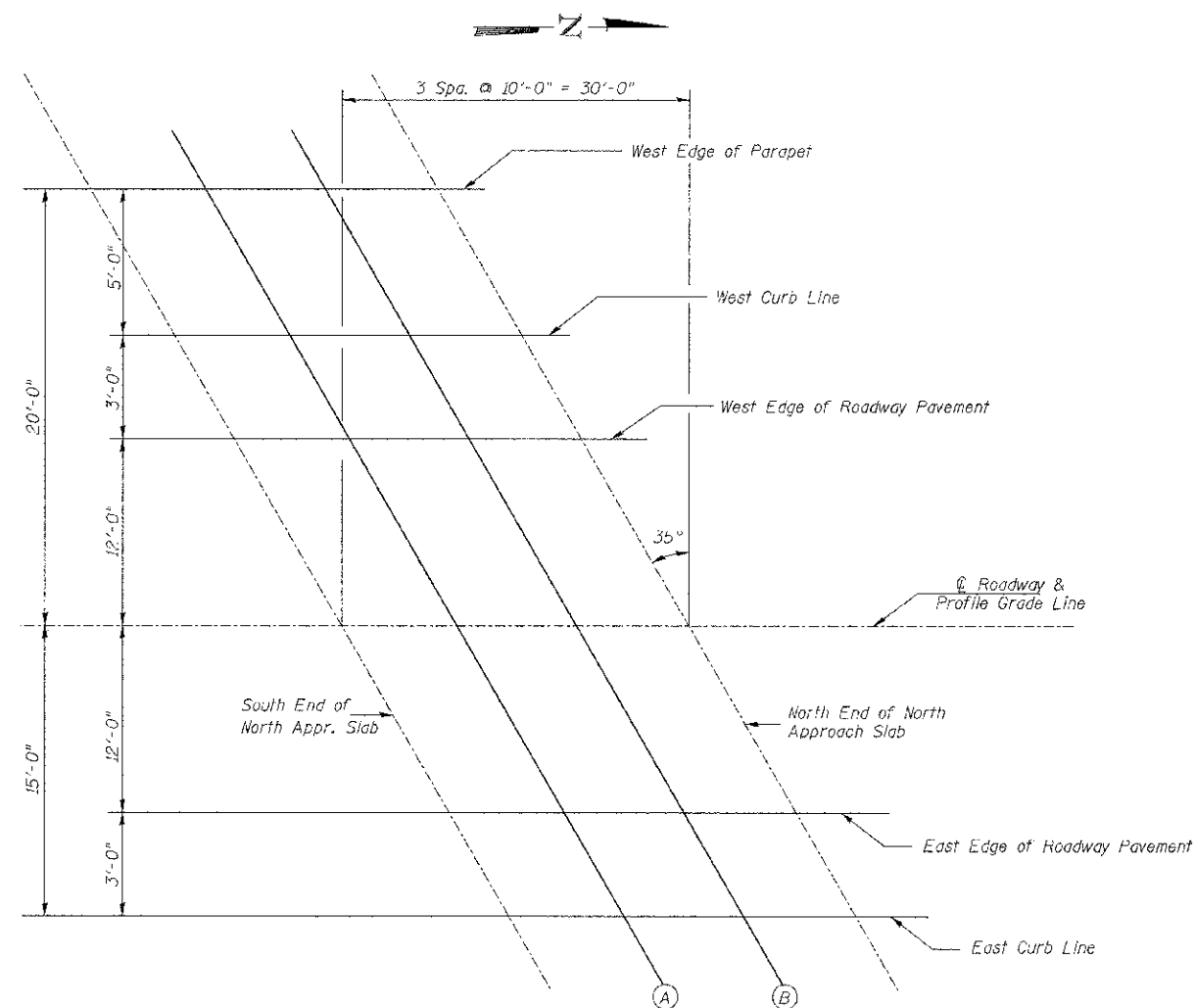
Location	Station	Offset	Theoretical Grade Elevations
S. End N. App. Slab	20+94.25	0.000	792.02
A	21+04.25	0.000	792.05
B	21+14.25	0.000	792.07
N. End N. App. Slab	21+24.25	0.000	792.08

EAST EDGE OF ROADWAY PAVEMENT

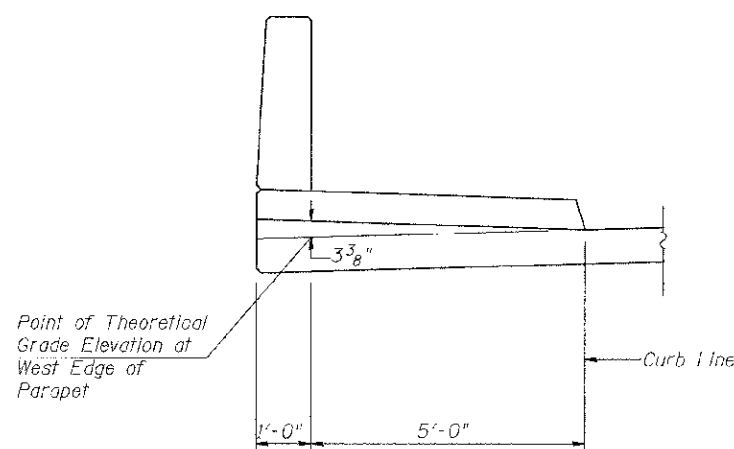
Location	Station	Offset	Theoretical Grade Elevations
S. End N. App. Slab	21+02.65	12.000	791.86
A	21+12.65	12.000	791.88
B	21+22.65	12.000	791.89
N. End N. App. Slab	21+32.65	12.000	791.88

EAST CURB LINE

Location	Station	Offset	Theoretical Grade Elevations
S. End N. App. Slab	21+04.75	15.000	791.80
A	21+14.75	15.000	791.82
B	21+24.75	15.000	791.83
N. End N. App. Slab	21+34.75	15.000	791.82



PLAN NORTH APPROACH PAVEMENT



SECTION THRU SIDEWALK

FILE NAME = V:\2556\CADD SHEETS\STRUCTURES - Res'd	USER NAME = amountal	DESIGNED BAN	REVISED -	DEKALB COUNTY C.H. 26 (FIVE POINTS RD.) OVER SOUTH BRANCH OF KISHWAUKEE RIVER	TOP OF APPROACH SLAB ELEVATIONS -- NORTH APPROACH SLAB		RTE. NO. CH 26	SECTION 05-00044-01-BR	COUNTY DEKALB	TOTAL SHEETS 49	SHEET NO. 22	
	02-27-2013\2556b007.dgn	DRAWN TAC	REVISED -		SCALE: N/A	SHEET NO. 7 OF 28 SHEETS	STA. N/A	TO STA. N/A	CONTRACT NO. 87477			
	PLOT SCALE = NONE	CHECKED CTM	REVISED -		ILLINOIS FED. AID PROJECT BR5-1122(08)							
	PLOT DATE = 3/26/2013	DATE -	REVISED -									