

STANDARD BAR SPLICER ASSEMBLY

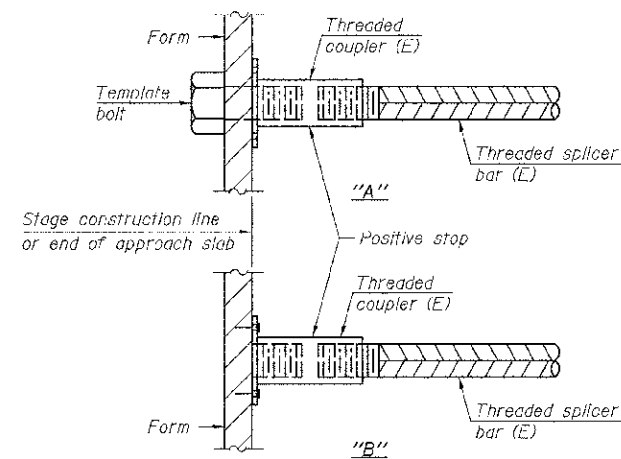
Bar size to be spliced	Minimum Lap Lengths					
	Table 1	Table 2	Table 3	Table 4	Table 5	Table 6
3, 4	1'-5"	1'-11"	2'-1"	2'-4"	2'-7"	2'-11"
5	1'-9"	2'-5"	2'-7"	2'-11"	3'-3"	3'-8"
6	2'-1"	2'-11"	3'-1"	3'-6"	3'-10"	4'-5"
7	2'-9"	3'-10"	4'-2"	4'-8"	5'-2"	5'-10"
8	3'-8"	5'-1"	5'-5"	6'-2"	6'-9"	7'-8"
9	4'-7"	6'-5"	6'-10"	7'-9"	8'-7"	9'-8"

- Table 1: Black bar, 0.8 Class C
- Table 2: Black bar, Top bar lap, 0.8 Class C
- Table 3: Epoxy bar, 0.8 Class C
- Table 4: Epoxy bar, Top bar lap, 0.8 Class C
- Table 5: Epoxy bar, Class C
- Table 6: Epoxy bar, Top bar top, Class C

Threaded splicer bar length = min. lap length + 1/2" + thread length

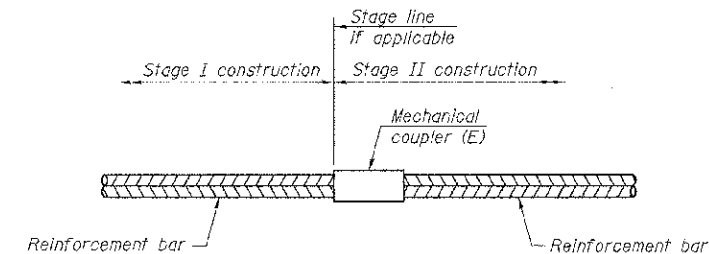
* Epoxy not required on Bar Splicer Assembly components used in conjunction with black bars.

Location	Bar size	No. assemblies required	Table for minimum lap length



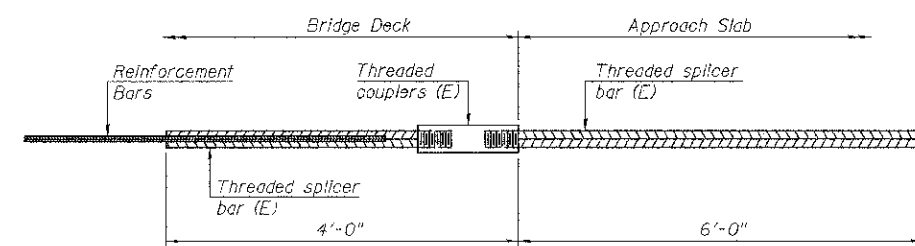
INSTALLATION AND SETTING METHODS

"A" : Set bar splicer assembly by means of a template bolt.
 "B" : Set bar splicer assembly by nailing to wood forms or cementing to steel forms.
 (E) : Indicates epoxy coating.



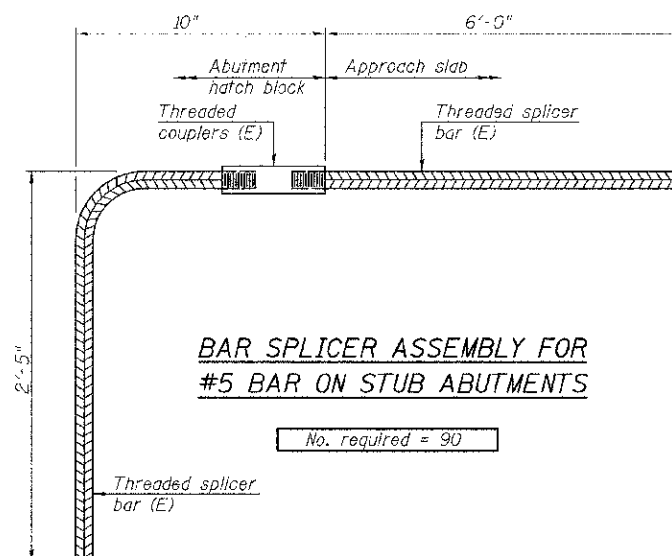
STANDARD MECHANICAL SPLICER

Location	Bar size	No. assemblies required



BAR SPLICER ASSEMBLY FOR #5 BAR ON INTEGRAL OR SEMI-INTEGRAL ABUTMENTS

No. required =



BAR SPLICER ASSEMBLY FOR #5 BAR ON STUB ABUTMENTS

No. required = 90

NOTES

Splicer bars shall be deformed with threaded ends and have a minimum 60 ksi yield strength.
 All reinforcement shall be lapped and tied to the splicer bars.
 Bar splicer assemblies shall be epoxy coated according to the requirements for reinforcement bars. See Section 508 of the Standard Specifications.
 See approved list of bar splicer assemblies and mechanical splicers for alternatives.

FILE NAME =	USER NAME = smounts1	DESIGNED BAN	REVISED -	DEKALB COUNTY C.H. 26 (FIVE POINTS RD.) OVER SOUTH BRANCH OF KISHWAUKEE RIVER	BAR SPLICER ASSEMBLY	RTE. NO.	SECTION	COUNTY	TOTAL SHEETS	SHEET NO.	
V:\2655\0400 SHEETS\STRUCTURES - Rev\0	02-27-2013\2655L026.dwg	DRAWN TAC	REVISED -			CH 26	05-00044-01-BR	DE KALB	49	43	
	PLOT SCALE = NONE	CHECKED CTM	REVISED -			CONTRACT NO. 87477					
	PLOT DATE = 3/26/2013	DATE -	REVISED -			SCALE: N/A	SHEET NO. 28 OF 28 SHEETS	STA. N/A	TO STA. N/A	FED. AID PROJECT BR5-112210(8)	