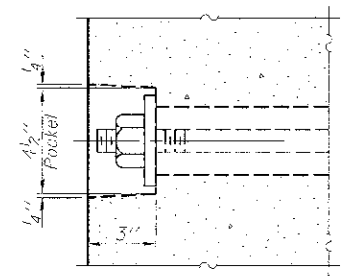


FABRIC BEARING PAD
(Interior)

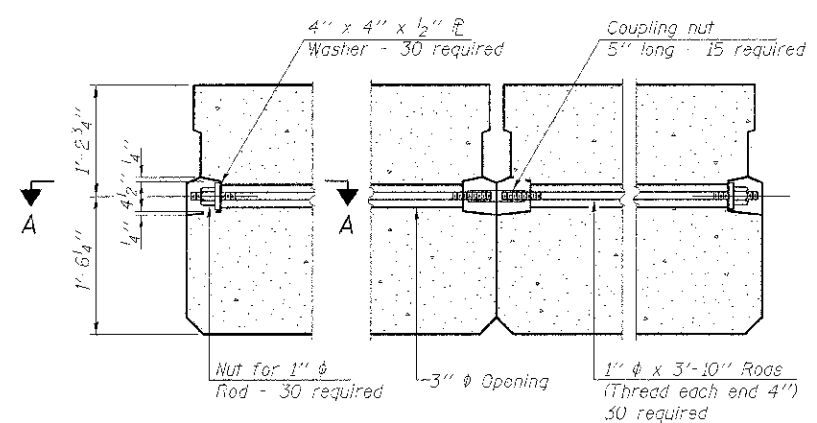
FABRIC BEARING PAD
(Exterior)

FIXED

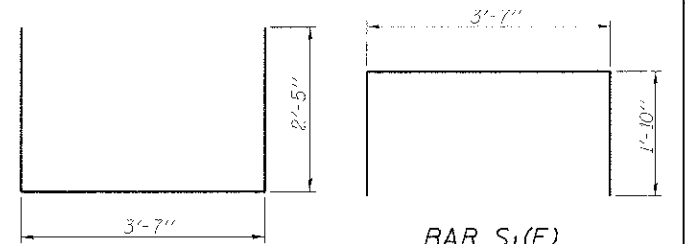
Notes:
Exterior bearing pads shall be used at the crown break.
All bearing pads shall be 1" thick.



SECTION A-A

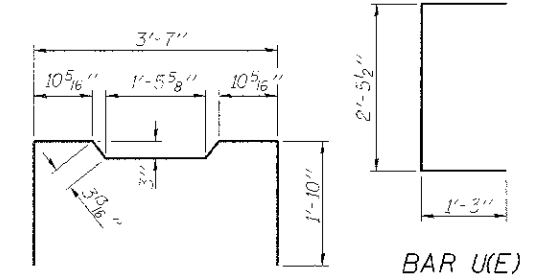


TYPICAL TRANSVERSE TIE ASSEMBLY



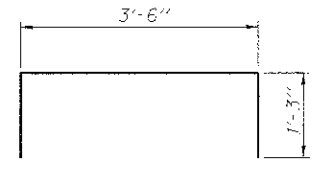
BAR S(E)

BAR S1(E)

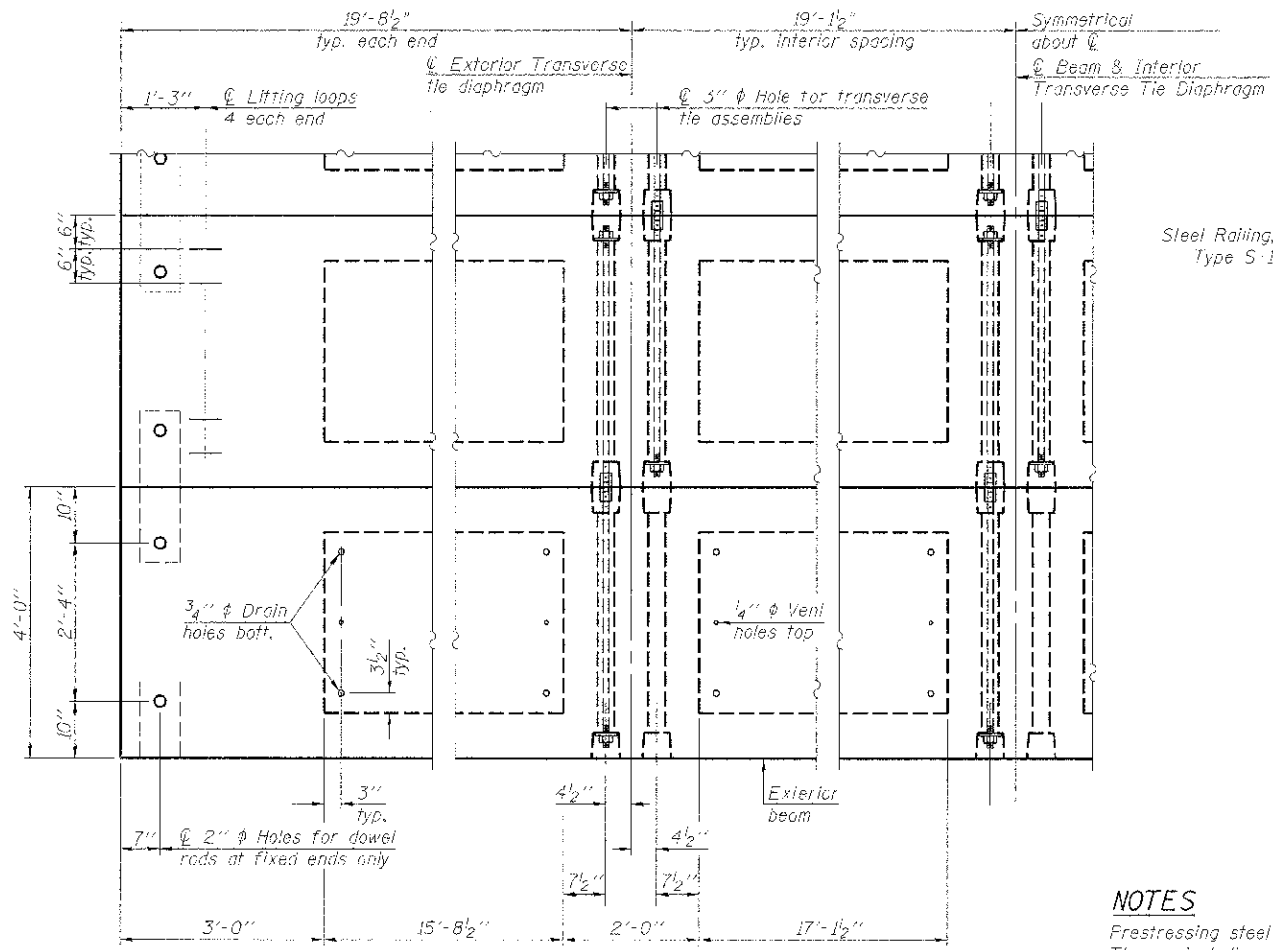


BAR U(E)

BAR S2(E)

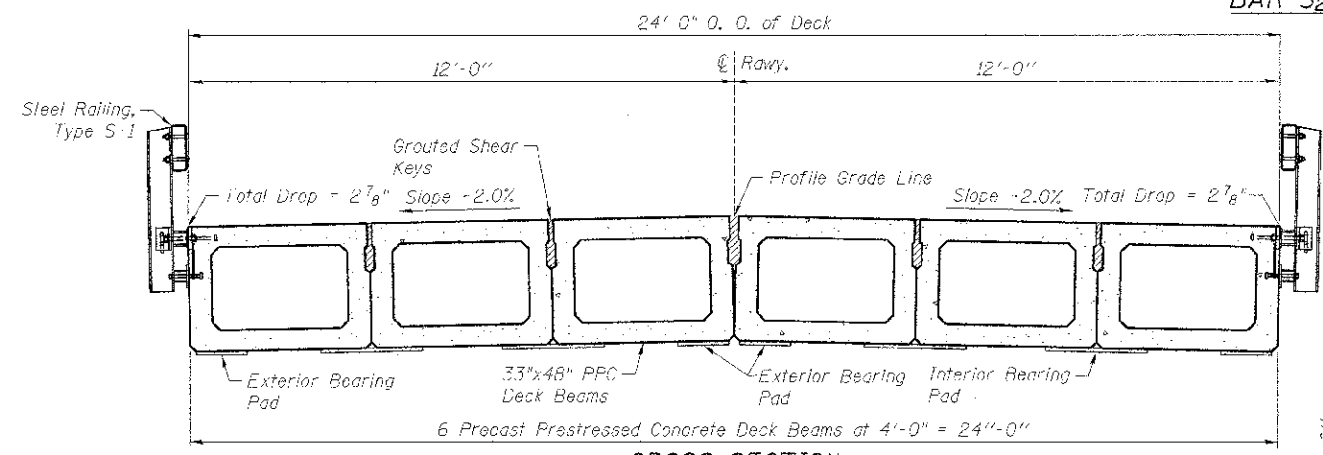


BAR U1(E)

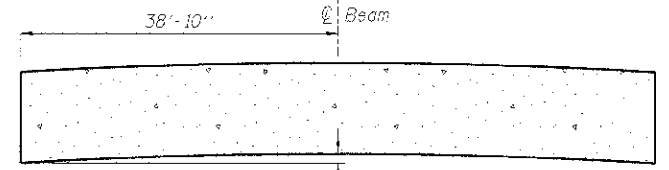


PLAN VIEW

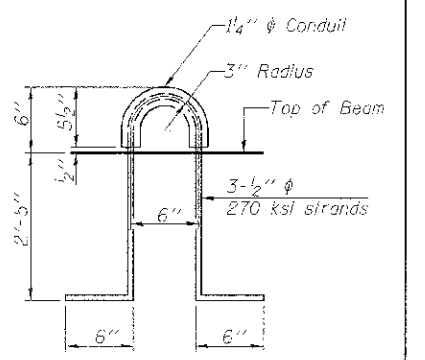
Note: Connect beams in pairs with the transverse tie configuration shown.
Unused transverse tie hole on exterior beam shall be omitted.



CROSS SECTION



CAMBER DIAGRAM



LIFTING LOOP DETAIL

NOTES

- Frestressing steel shall be uncoated high strength, low relaxation 7-wire strand, Grade 270. The nominal diameter shall be 1/2" and the nominal cross-sectional area shall be 0.153 sq. in.
- The 1" rods in the transverse tie assembly shall be tightened to a snug fit and the threads on exterior faces of bridge shall be filled with grout after transverse tie assembly is in place.
- Reinforcement bars shall conform to ASTM A 706, Grade 60. (See Special Provisions).
- Two 1/8" fabric adjusting shims of the dimensions of the exterior bearing pad shall be provided for each bearing pad location.
- A minimum 2 1/2" diameter lifting pin shall be used to engage the lifting loops during handling.
- Corrosion Inhibitor, per Article 1020.05(b)(12) and 1021.06 of the Standard Specifications, shall be used in the concrete for precast prestressed concrete deck beams.
- Compressive strength of prestressed concrete, f'c, shall be 6,000 psi.
- Compressive strength of prestressed concrete at release, f'ci, shall be 5,000 psi.

BILL OF MATERIAL

Item	Unit	Quantity
Precast Prestressed Concrete Deck Beams (33" Depth)	Sq. Ft.	1,864



DESIGNED - IPN	REVISED -
CHECKED - BKC	REVISED -
DRAWN - FDL	REVISED -
CHECKED - BKC	REVISED -

BUREAU COUNTY
T.R. 46 (350 E. ST.) OVER W. FORK SPOON RIVER
STATION 20+00

33" x 48" PPC DECK BEAM DETAILS
STRUCTURE NO. 006-4263
STRUCTURAL SHEET NO. 4 OF 9

TWP. R1E.	SECTION	COUNTY	TOTAL SHEETS	SHEET NO.
46	11-18103-CO-BR	BUREAU	19	10
WHA# 1003012		CONTRACT NO. 87531		
[ILLINOIS] FED. AID PROJECT BR35-0311(090)				

FILE # S:\PROJECTS\21\21\BR3012_Br_mml_TR46\DESIGN\STRUCT\Drawings\023012_33in_DeckBeamDetails.dgn