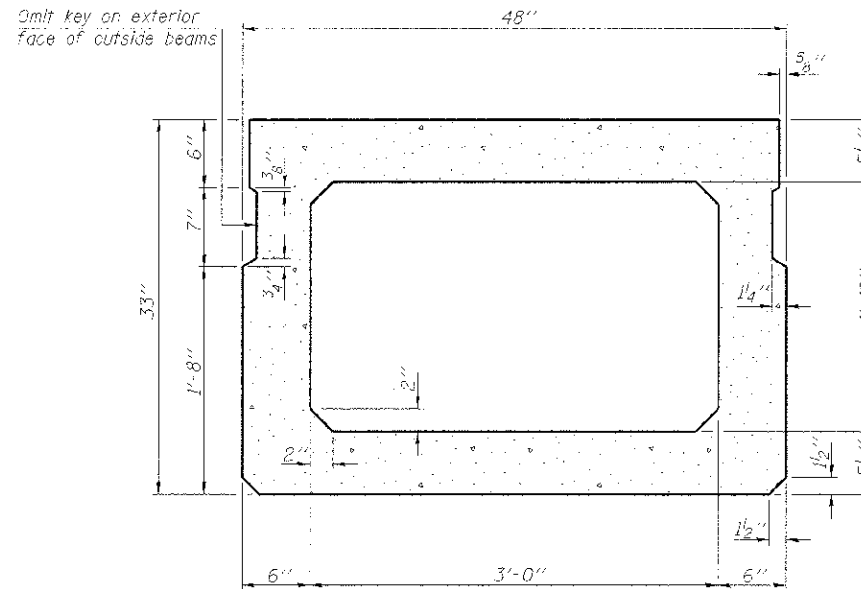
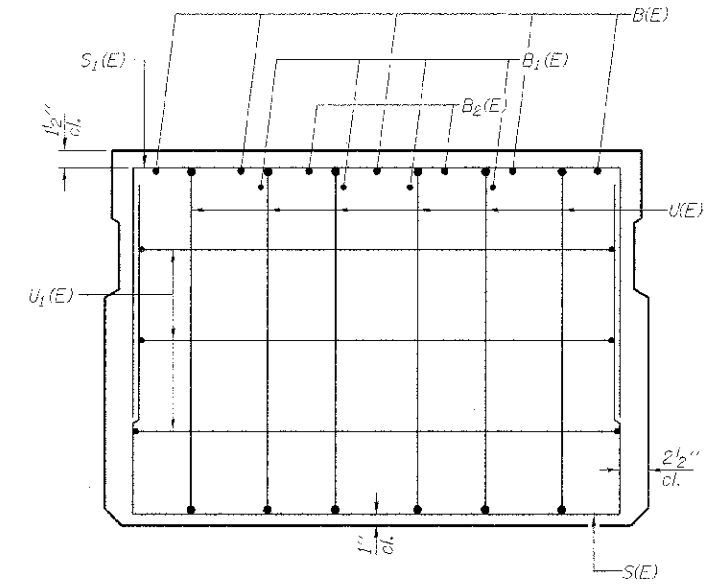


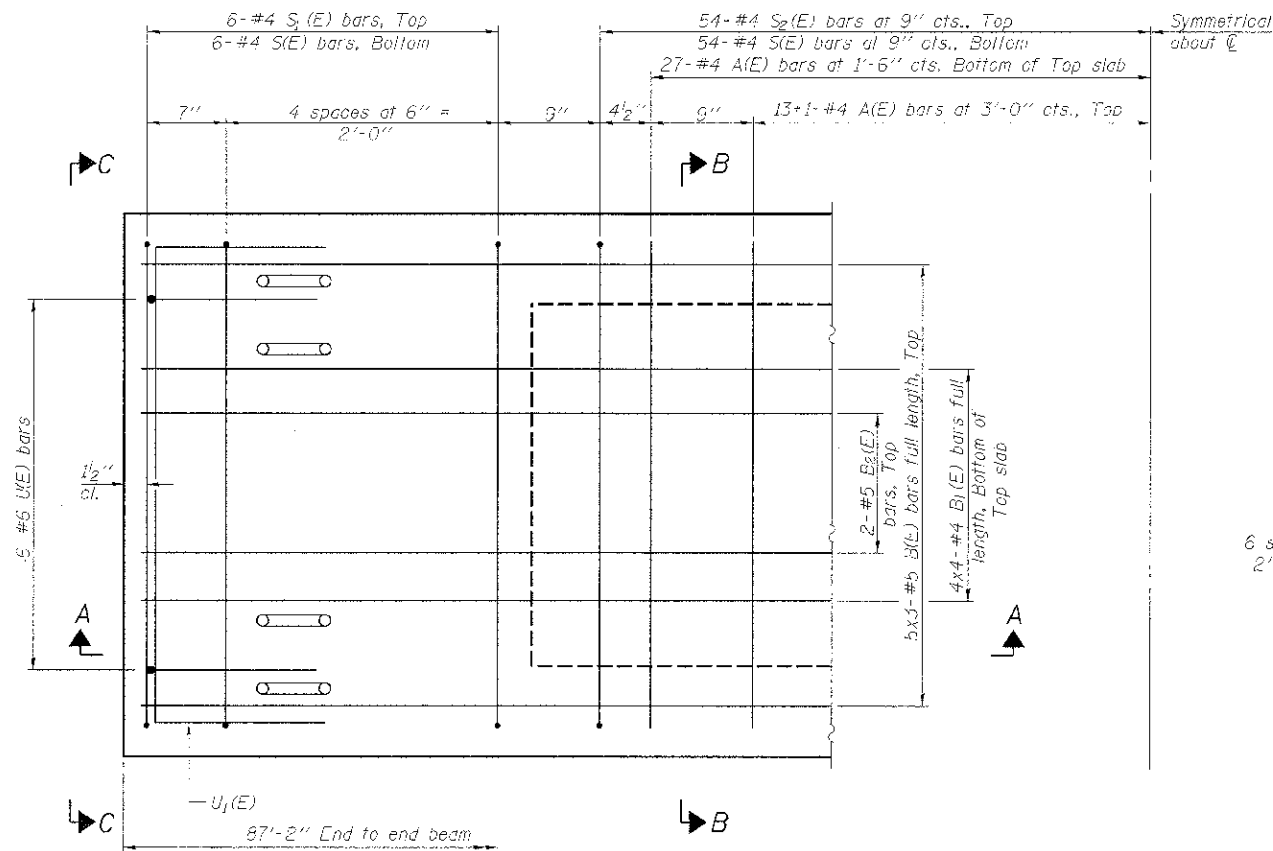
SECTION A-A



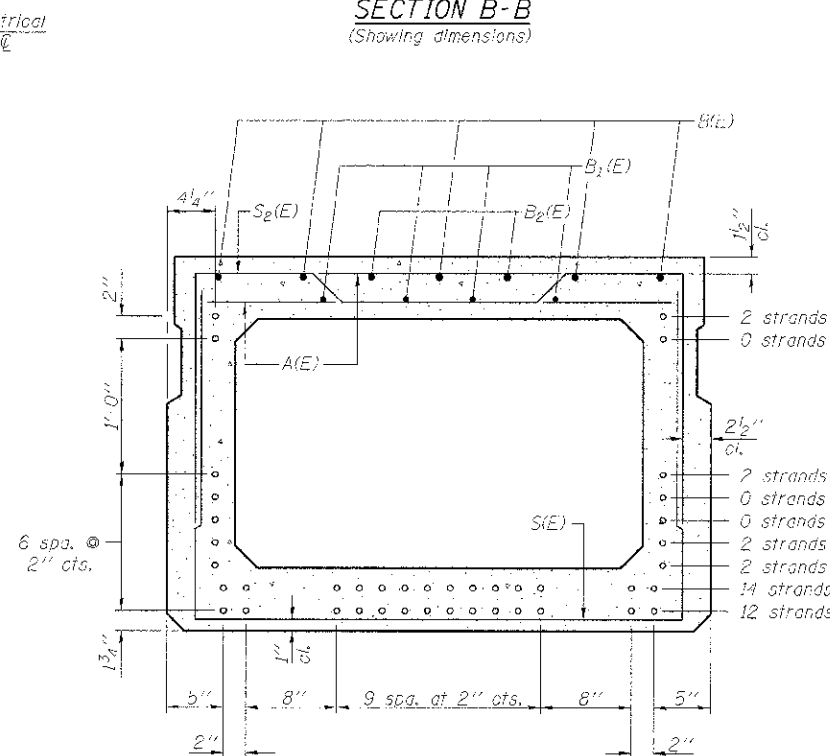
SECTION B-B
(Showing dimensions)



VIEW C-C



PLAN VIEW



SECTION B-B
(Showing reinforcement and permissible strand locations)

Note: Place the number of strands specified in each row symmetrically about the centerline of beam in the permissible strand locations shown.

BAR LIST
ONE BEAM ONLY
(For information only)

Bar	No.	Size	Length	Shape
A(E)	81	#4	3'-7"	—
B1(E)	15	#5	36'-8"	—
B2(E)	16	#4	23'-3"	—
B3(E)	1	#5	10'-0"	—
S1(E)	120	#4	8'-5"	┌
S2(E)	12	#4	7'-3"	┌
U1(E)	12	#6	5'-0"	┌
U2(E)	6	#4	6'-0"	┌

Note: See Structural sheet 4 of 12 for additional details and Bill of Material.

Bars indicated thus 5x3-#5 etc. indicates 5 lines of bars with 3 lengths per line.

Bars indicated thus 13+1-#4 etc. indicates 13 bars each side of centerline plus 1 additional bar at centerline.

Note: Spacing of S1(E) and S2(E) bars may be adjusted up to 4" in the immediate area of the transverse tie diaphragms to miss the block outs for the transverse ties.

MINIMUM BAR LAP

#4 bar = 2'-0"
#5 bar = 2'-6"

FILE: S:\PROJECTS\2007\1004012_Sur\Bureau\T.R.398 OVER SPRING CREEK\Drawings\1004012-33n_DeckBeam.dgn



DESIGNED - IPN	REVISED -
CHECKED - BKC	REVISED -
DRAWN - IPN	REVISED -
CHECKED - BKC	REVISED -

BUREAU COUNTY
T.R. 398 OVER SPRING CREEK
STATION 20+00

33" x 48" PPC DECK BEAM
STRUCTURE NO. 006-4143

STRUCTURAL SHEET NO. 2 OF 3

TWP. R1E.	SECTION	COUNTY	TOTAL SHEETS	SHEET NO.
398	09-10113-00-BR	BUREAU	19	8
WHA# 1004012		CONTRACT NO. 87551		
ILLINOIS FED. AID PROJECT BR05-00110941				