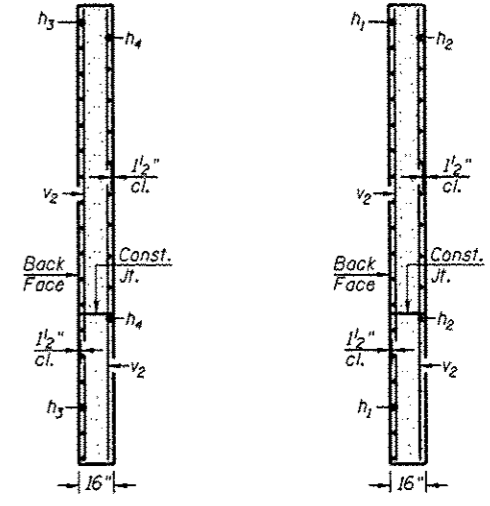
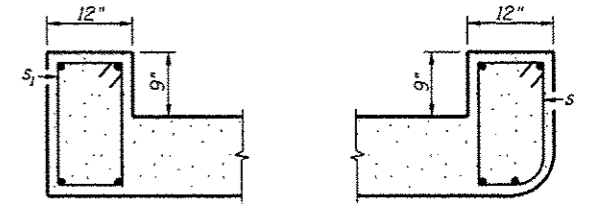
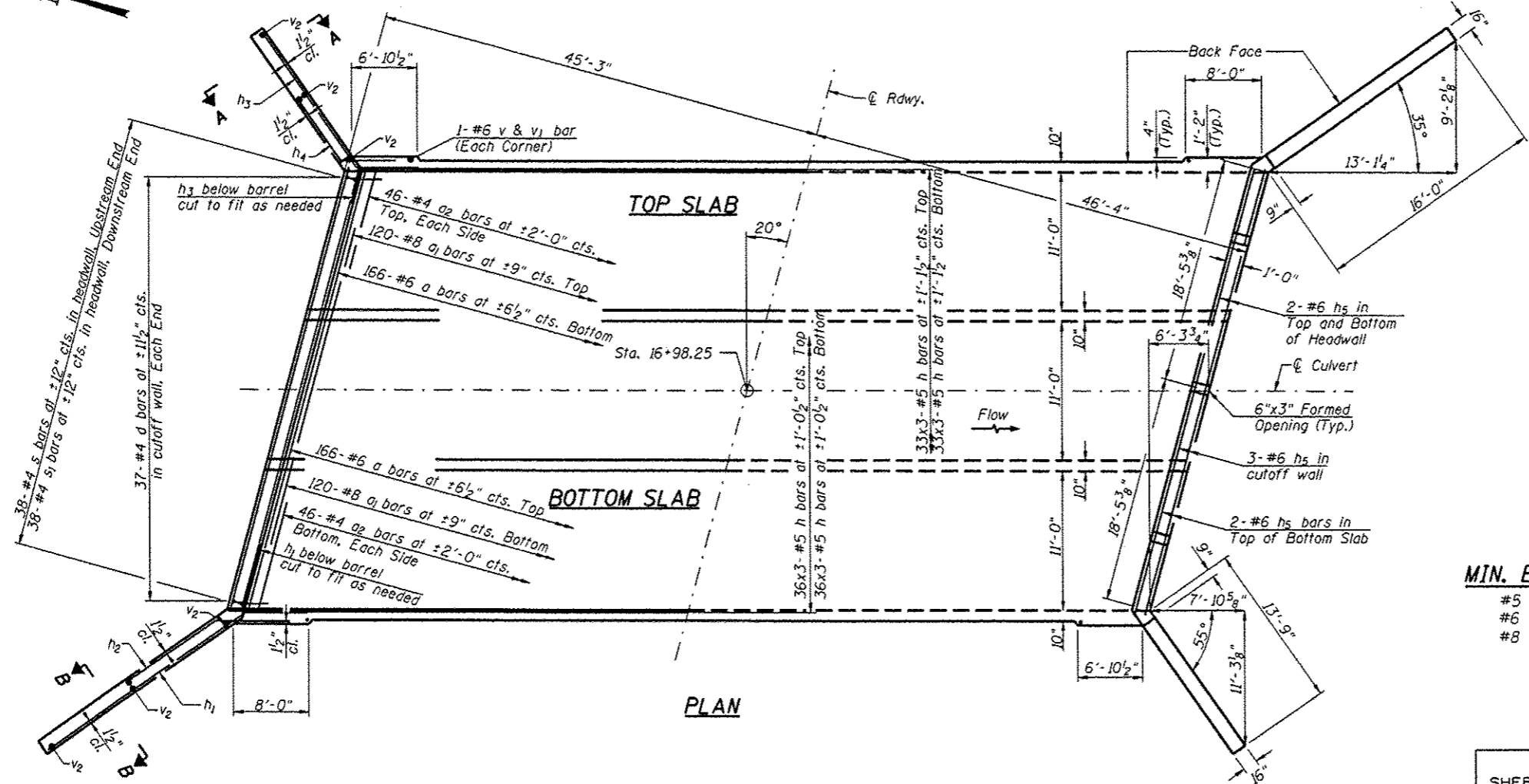
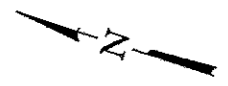


Notes:
 IF = Inner Face
 BF = Back Face
 FF = Front Face

Bars indicated thus 16x3-#5 etc. indicates 16 lines of bars with 3 lengths per line.



SECTION A-A Short Wingwall
 SECTION B-B Long Wingwall



SOUTH HEADWALL NORTH HEADWALL
 DETAIL A

MIN. BAR LAP
 #5 = 1'-8"
 #6 = 2'-0"
 #8 = 3'-8"

CULVERT DETAILS
 KNOX COUNTY
 SECTION 12-00001-01-RS
 C.H. 4 OVER WALNUT CREEK TRIBUTARY

SHEET NO. 2	ROUTE NO.	SECTION	COUNTY	TOTAL SHEETS	SHEET NO.
	CH 4	12-00001-01-RS	KNOX	174	73
4 SHEETS	S.N. 048-5037		CONTRACT NO. 89614		
	FED. ROAD DIST. NO. 7 ILLINOIS		FED. AID PROJECT RS-0393(105)		