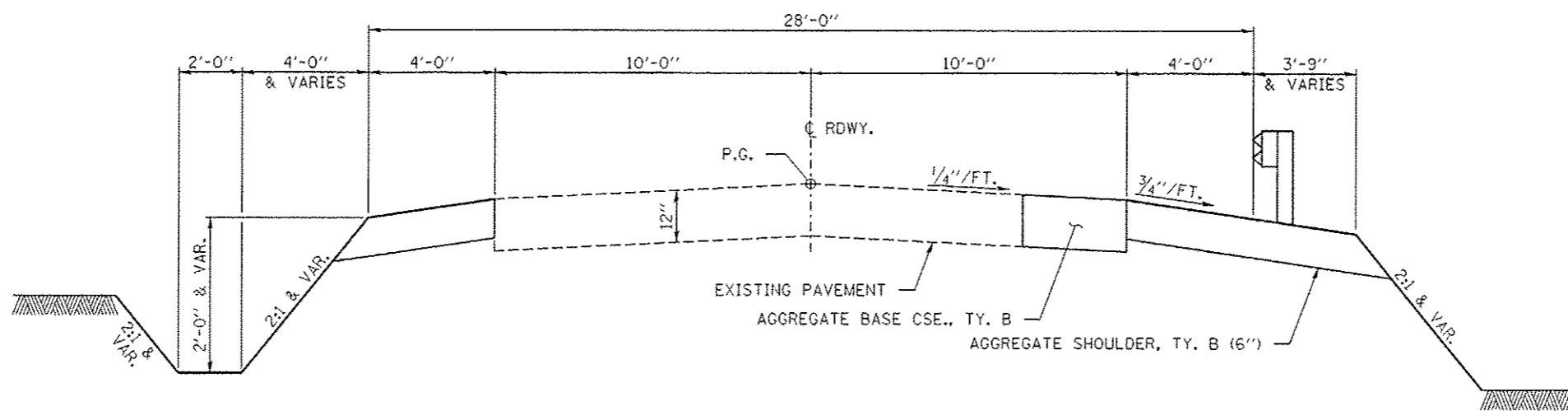


EXISTING TYPICAL CROSS SECTION

STA. 229+00 TO STA. 233+00 - C.H. 3
 STA. 11+00 TO STA. 12+83.08 - C.H. 17
 STA. 99+50 TO STA. 101+00 - T.R. 132



PROPOSED TYPICAL CROSS SECTION

STA. 229+00 TO STA. 233+00 - C.H. 3
 STA. 11+00 TO STA. 12+83.08 - C.H. 17
 STA. 99+50 TO STA. 101+00 - T.R. 132

SUGGESTED CUT SECTION
 CONSTRUCT AS SHOWN IN
 STATION CROSS SECTIONS

SUGGESTED FILL SECTION
 CONSTRUCT AS SHOWN IN
 STATION CROSS SECTIONS

NOTE:
 AGGREGATE BASE COURSE SHALL BE
 CONSTRUCTED IF PAVEMENT IS DAMAGED
 DURING STRUCTURE IMPROVEMENTS.

FILE NAME * 100001-shl-typcrosssections.dgn	USER NAME *	DESIGNED - S.W.M.	REVISED -	STATE OF ILLINOIS DEPARTMENT OF TRANSPORTATION	TYPICAL CROSS SECTIONS SOUTH VALLEY ROAD /C.H. 3			F.A.S.	SECTION	COUNTY	TOTAL SHEETS	SHEET NO.	
HAMPTON, LENZINI AND RENWICK, INC. 5045 STEVENSON DRIVE, SUITE 201 SPRINGFIELD, ILLINOIS 62703 ILLINOIS PROFESSIONAL DESIGN FIRM 131 PE / SE CORP. 184,000919		DRAWN - R.D.H.	REVISED -		SCALE:	SHEET NO. 1 OF 1 SHEETS	STA.	TO STA.	373	10-0016-00-BR	STARK	29	3
	PLOT SCALE =	CHECKED - S.W.M.	REVISED -										
	PLOT DATE = 4/8/2013	DATE - 04/08/13	REVISED -										
ILLINOIS FED. AID PROJECT													