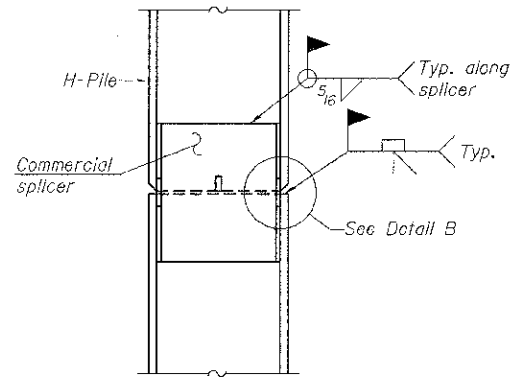
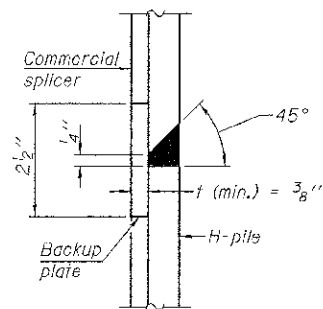


**STEEL PILE TABLE**

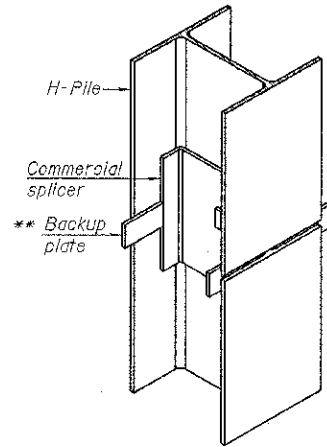
Designation	Depth d	Flange width bf	Web and Flange thickness t	Encasement diameter A
HP 14x117	14 1/4"	14 7/8"	1 5/16"	30"
x102	14"	14 3/4"	1 1/16"	30"
x89	13 7/8"	14 3/4"	5/8"	30"
x73	13 5/8"	14 5/8"	1/2"	30"
HP 12x84	12 1/4"	12 1/4"	1 1/16"	24"
x74	12 1/8"	12 1/4"	5/8"	24"
x63	12"	12 1/8"	1/2"	24"
x53	11 3/4"	12"	7/16"	24"
HP 10x57	10"	10 1/4"	9/16"	24"
x42	9 3/4"	10 1/8"	7/16"	24"
HP 8x36	8"	8 1/8"	7/16"	18"



**ELEVATION**

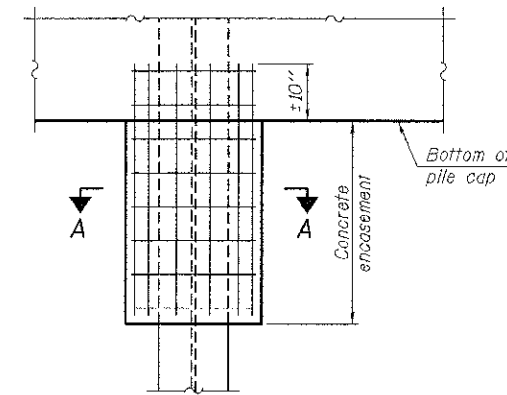


**DETAIL "B"**

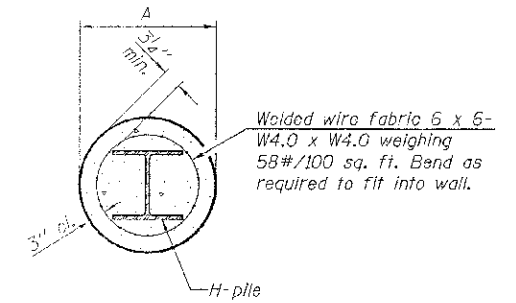


**ISOMETRIC VIEW**

**WELDED COMMERCIAL SPLICE**

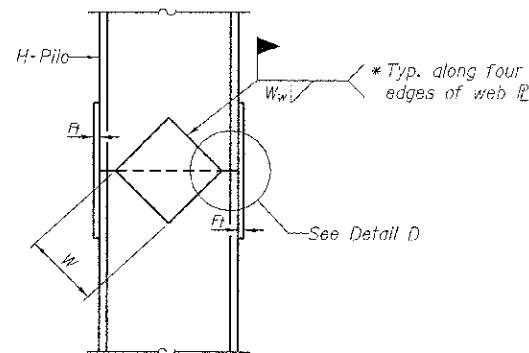


**ELEVATION**

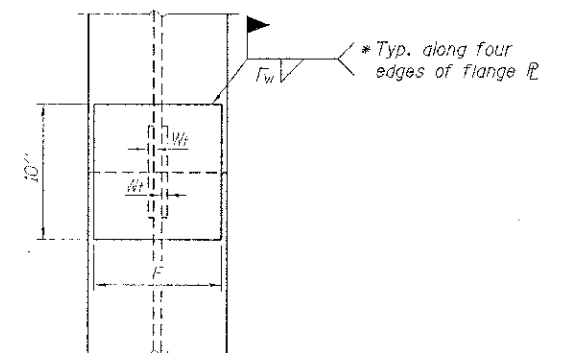


**SECTION A-A**

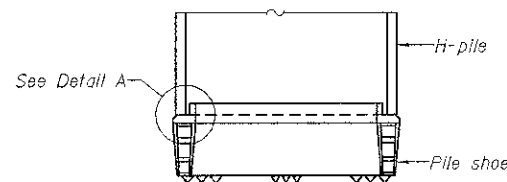
**PILE ENCASEMENT**



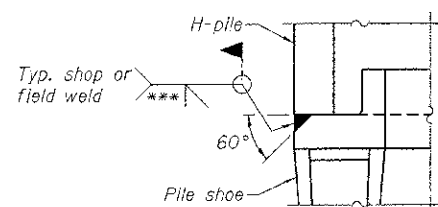
**ELEVATION**



**END VIEW**

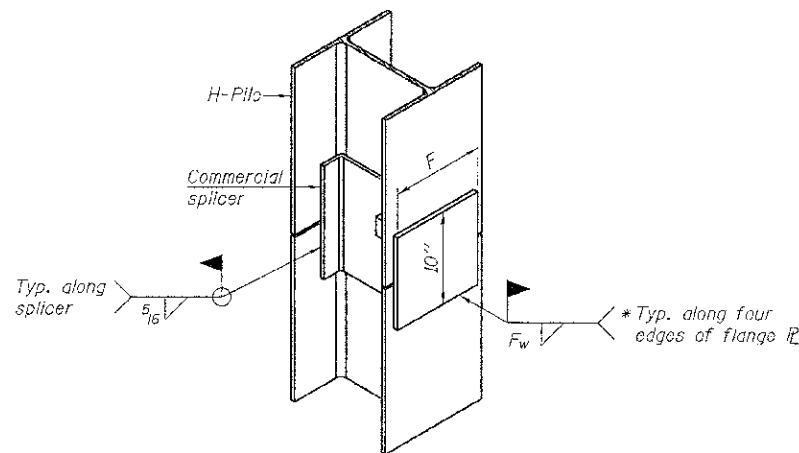


**ELEVATION**

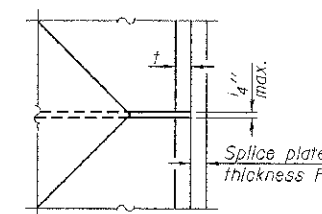


**DETAIL A**

**H-PILE SHOE ATTACHMENT**



**ISOMETRIC VIEW**



**DETAIL D**

**WELDED PLATE FIELD SPLICE**

Designation	F	F1	Fw	W	W1	Ww
HP 14x117	12 1/2"	1"	7/8"	7 3/4"	5/8"	1/2"
x102	12 1/2"	7/8"	3/4"	7 3/4"	5/8"	1/2"
x89	12 1/2"	3/4"	1/16"	7 3/4"	5/8"	1/2"
x73	12 1/2"	5/8"	9/16"	7 3/4"	5/8"	1/2"
HP 12x84	10"	7/8"	1/16"	6 1/2"	5/8"	1/2"
x74	10"	7/8"	1/16"	6 1/2"	5/8"	1/2"
x63	10"	5/8"	1/2"	6 1/2"	1/2"	3/8"
x53	10"	5/8"	1/2"	6 1/2"	1/2"	3/8"
HP 10x57	8"	3/8"	9/16"	5 1/4"	1/2"	3/8"
x42	8"	5/8"	9/16"	5 1/4"	1/2"	3/8"
HP 8x36	7"	5/8"	7/16"	4 1/4"	1/2"	3/8"

**WELDED COMMERCIAL SPLICE ALTERNATE**

- \* Interrupt welds 1/4" from end of web and/or each flange.
- \*\* Remove portions of backup plates that extend outside the flanges.
- \*\*\* Weld size per pile shoe manufacturer (5/16" min.).

Note:  
The steel H-piles shall be according to AASHTO M270 Grade 50.

F-HP 1-27-12

FILE NAME = 110298-ah-h-bridge.dgn	USER NAME =	DESIGNED - A.S.L.	REVISED -	<b>STATE OF ILLINOIS VERMILION COUNTY HIGHWAY DEPARTMENT</b>	<b>HP PILE DETAILS STRUCTURE NO. 092-3523</b>	T.T.	SECTION	COUNTY	TOTAL SHEETS	SHEET NO.	
HAMPTON, LENZINI AND RENWICK, INC. 205 STEVENSON DRIVE, SUITE 201 SPRINGFIELD, ILLINOIS 62702	PLOT SCALE =	CHECKED - S.W.M.	REVISED -			131	10-15145-00-BR	VERMILION	20	18	
ILLINOIS PROFESSIONAL SEAL NO. 043-04 FROM 12/19/11 SEE COMP. 13A-02299	PLOT DATE = 2/26/2013	DRAWN - D.A.B.	REVISED -			PILOT ROAD DISTRICT		CONTRACT NO. 91477		ILLINOIS FED. AID PROJECT	
		CHECKED - S.W.M.	REVISED -			SHEET NO. 7 OF 9 SHEETS					