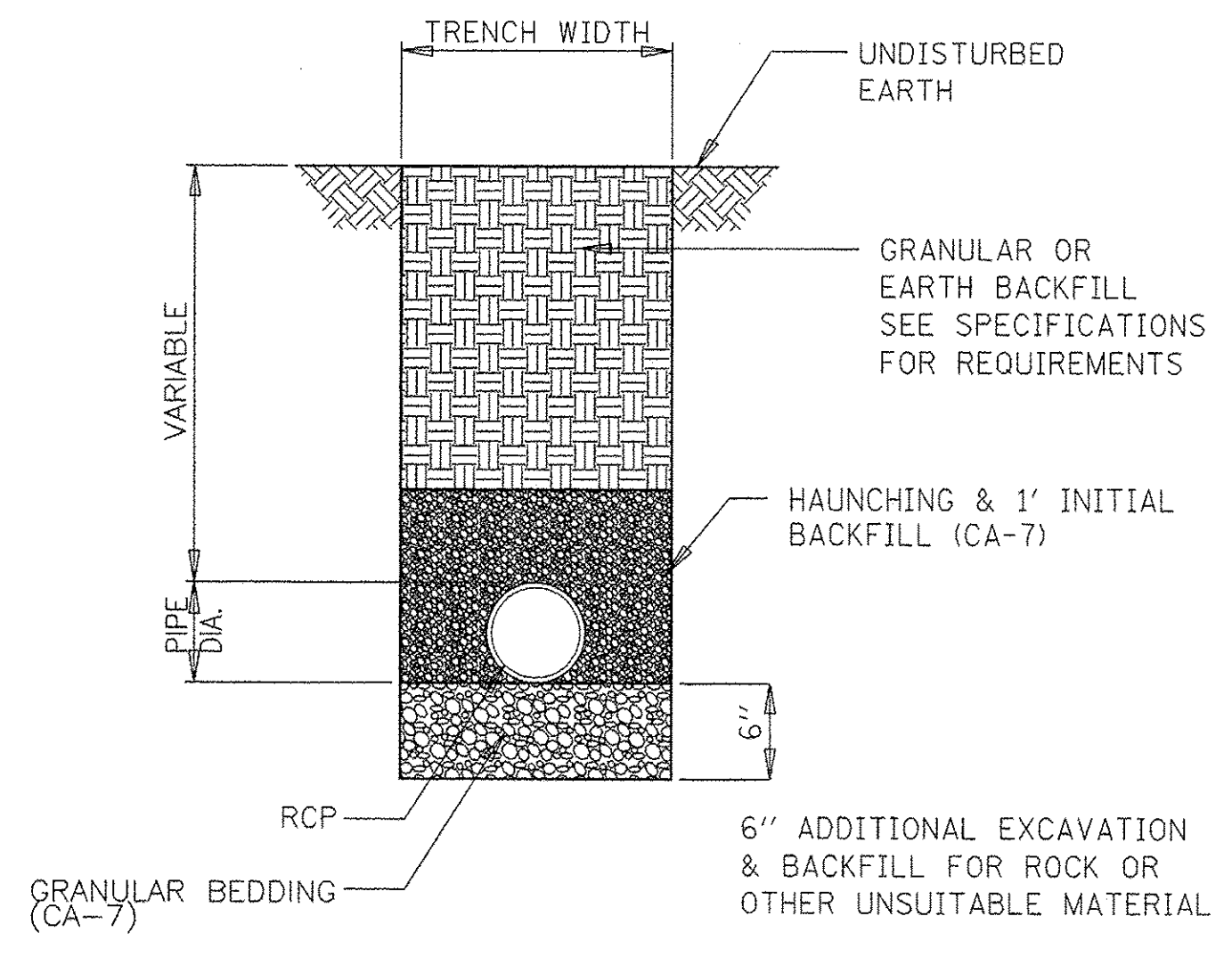
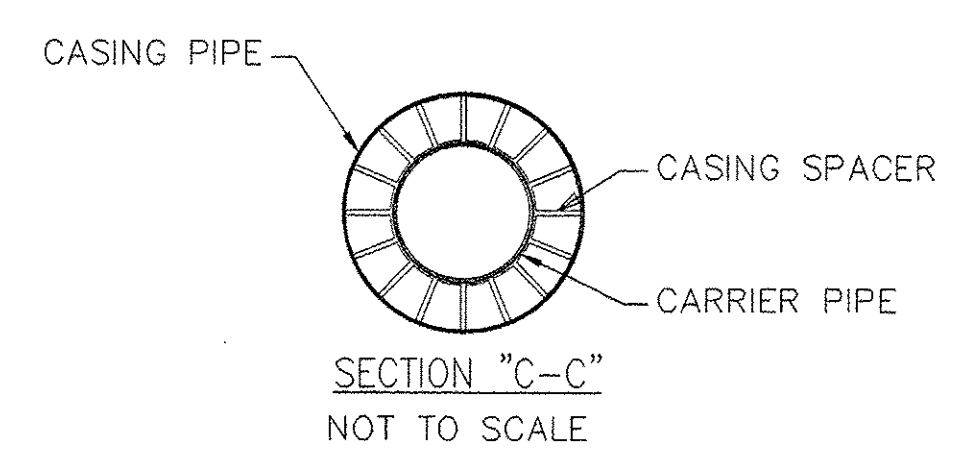
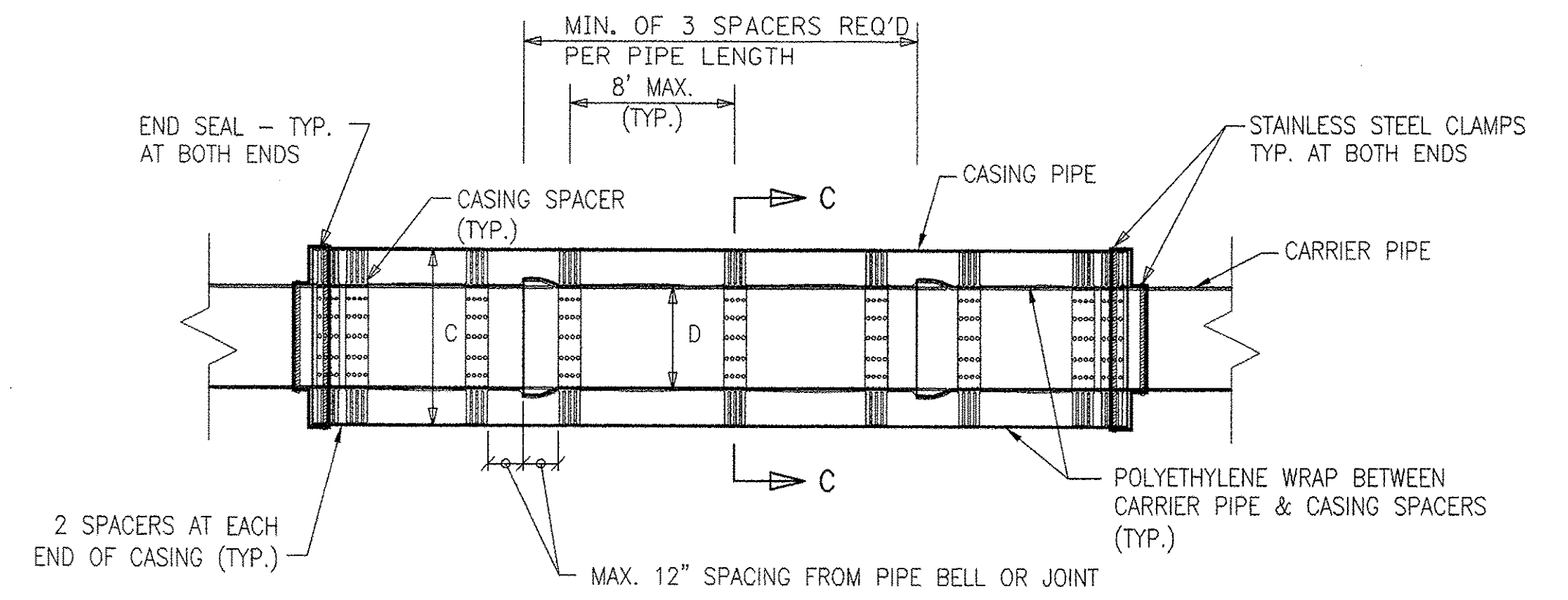


TYPICAL TRENCH SECTION FOR DUCTILE IRON PIPE  
NOT TO SCALE



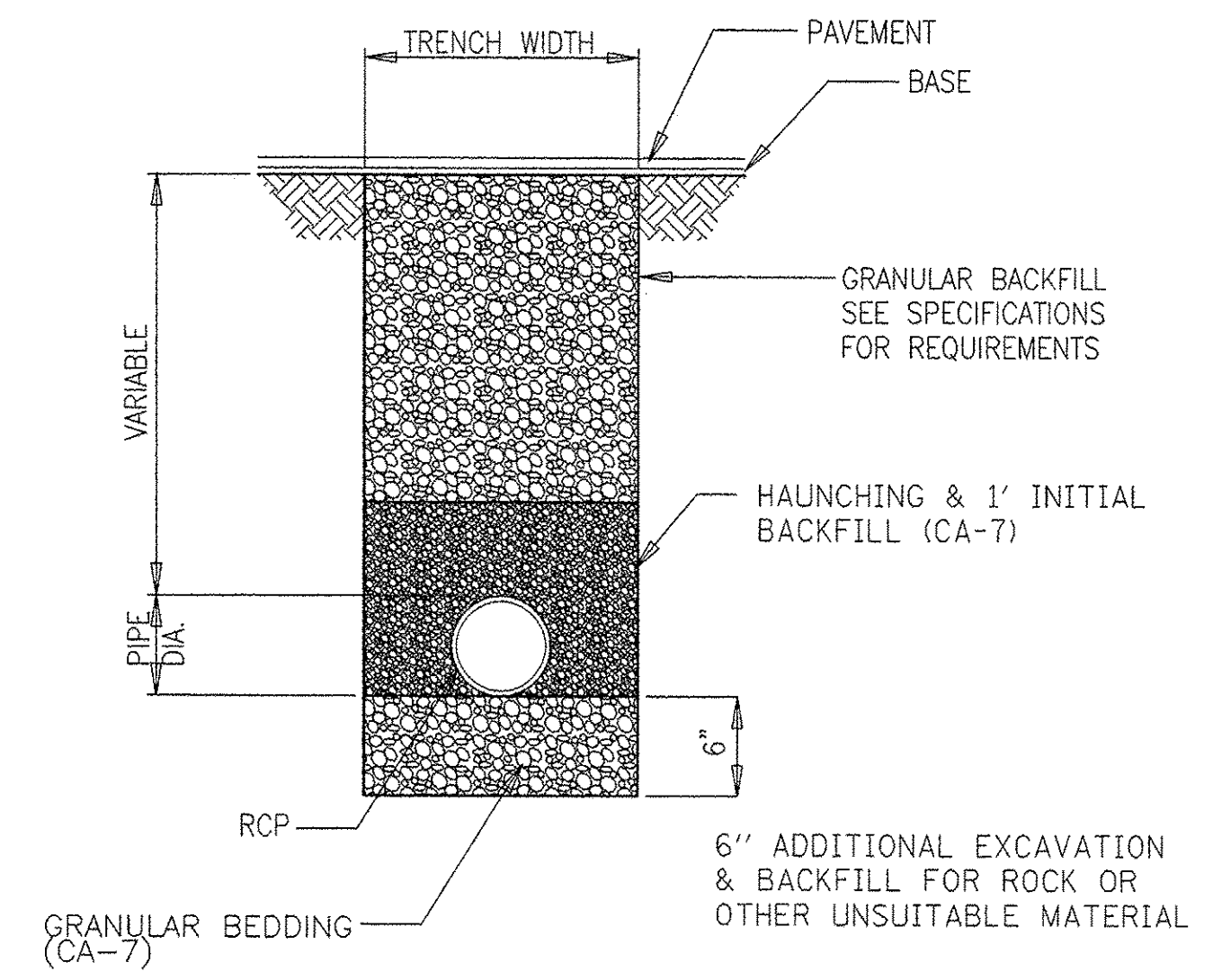
TYPICAL TRENCH SECTION FOR REINFORCED CONCRETE PIPE  
NOT TO SCALE



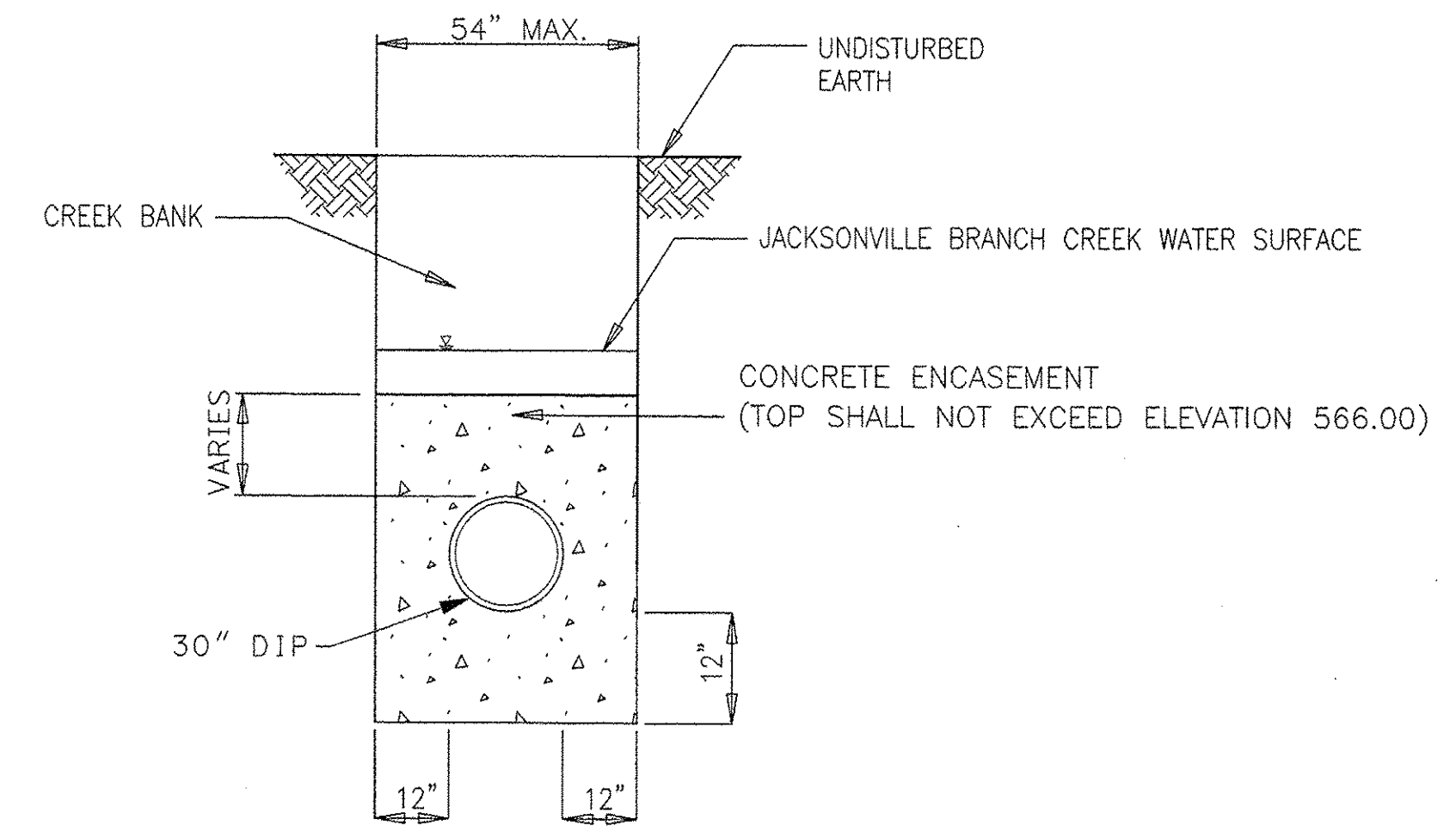
CASING INFORMATION	
CARRIER PIPE DIA. "D"	CASING PIPE DIA. "C"
30	42

ALL DIMENSIONS IN INCHES

ELEVATION OF CASING PIPE INSTALLATION  
SHOWING PLACEMENT OF SPACERS  
NOT TO SCALE



TYPICAL TRENCH SECTION FOR REINFORCED CONCRETE PIPE  
UNDER PAVEMENT  
NOT TO SCALE



NOTES:  
1. SEE SPECIAL PROVISIONS FOR DEPARTMENT OF THE ARMY CORPS OF ENGINEERS 404 PERMIT REQUIREMENTS PERTAINING TO WORK WITHIN THE CREEK CHANNEL.

DIP CREEK CROSSING ENCASEMENT  
STA. 2+59 TO STA. 2+93

