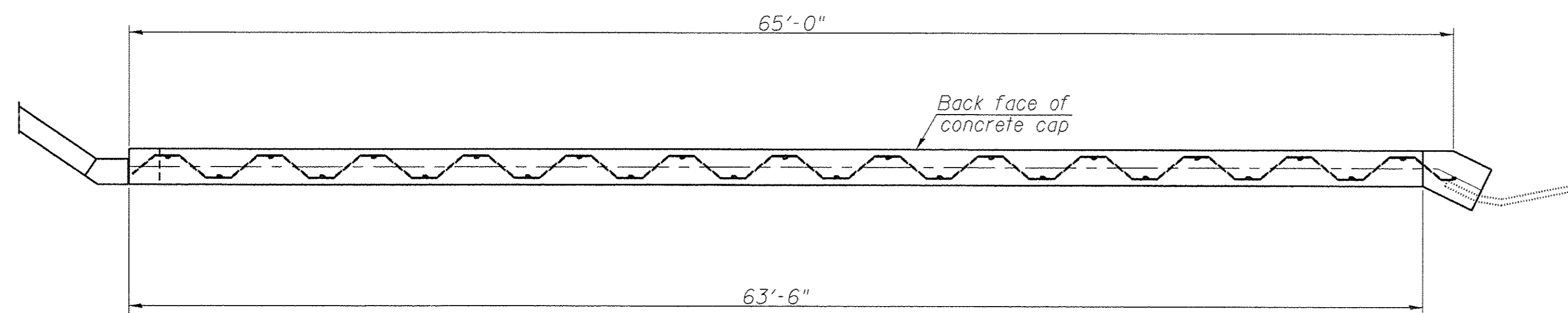
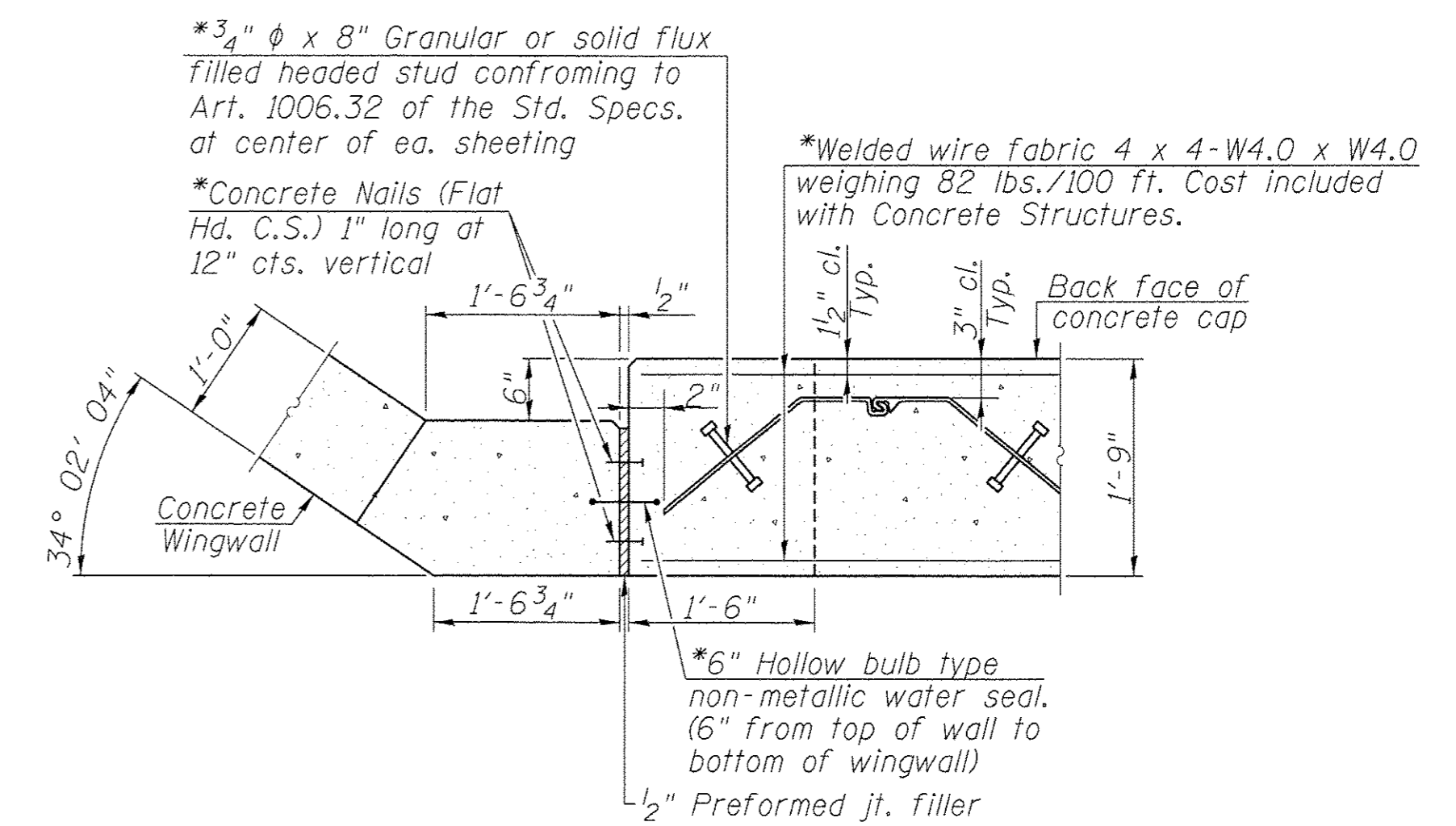


ELEVATION

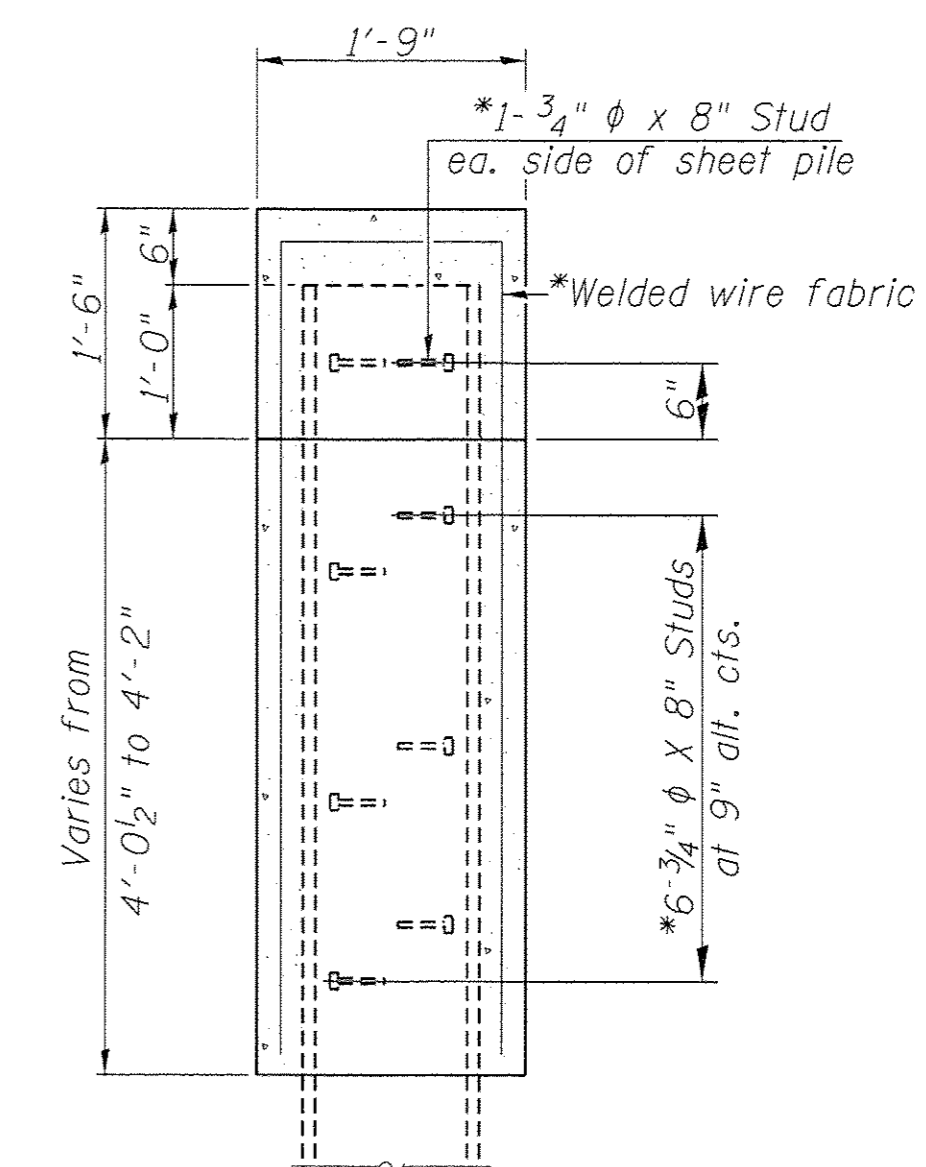


PLAN

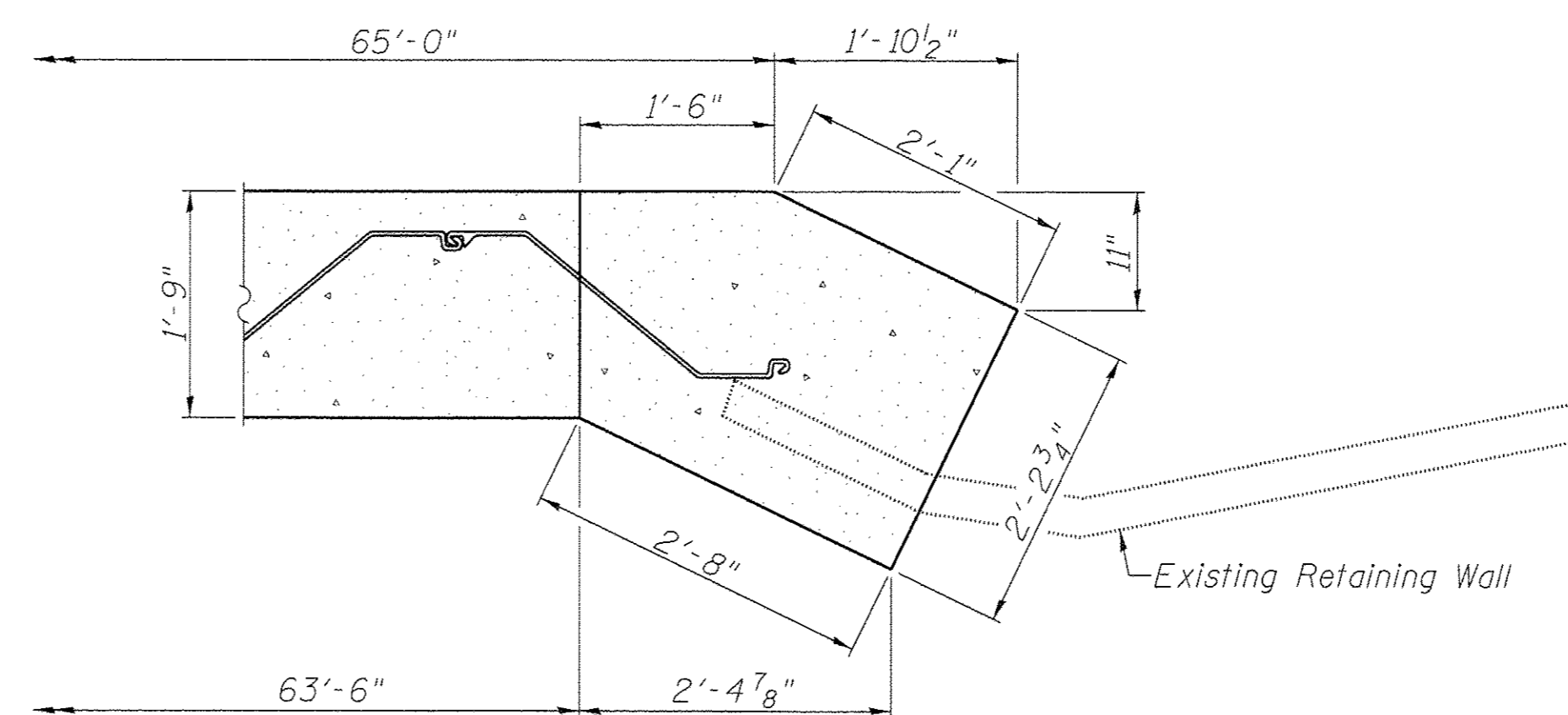


SECTION A-A

*Included in the cost of Permanent Steel Sheet Piling



SECTION B-B



SECTION C-C

Notes: Work this sheet with sheet 19 of 28.
 Fy = 50 ksi (AASHTO M202 Gr. 50)
 Hard driving may likely be encountered upon installation of the sheet piling to their required plan tip elevations. The contractor shall provide the appropriate driving equipment for soil conditions indicated in the boring logs. If sheet piling does not reach its design tip elevation, the Engineer shall be notified.
 The concrete cap for permanent sheet piling shall be measured and paid for as Concrete Structures.
 The contractor shall field verify the location of the existing retaining wall and the proposed dimensions and make necessary approved adjustments prior to construction or ordering of materials. Adjustments shall not be cause for additional compensation for a change in scope of the work, however, the contractor will be paid for the quantity actually furnished at the unit price bid for the work.

BILL OF MATERIAL

Item	Unit	Quantity
Permanent Steel Sheet Piling	Sq. Ft.	1846
Concrete Structures	Cu. Yd.	6.9
Structure Excavation	Cu. Yd.	15

FILE NAME =	USER NAME =	DESIGNED -	REVISED -
		CHECKED -	REVISED -
		DRAWN -	REVISED -
		CHECKED -	REVISED -
PLOT SCALE =			
PLOT DATE =			



Allen Henderson & Associates, Inc.
 Civil and Structural Engineers Springfield, IL.
 62703 Phone: (217)544-8033 IL Design Firm
 No. 184-001907

PERMANENT SHEET PILE RETAINING WALL
 STRUCTURE NO. 084-6019

SHEET NO. 23 OF 28 SHEETS

F.A.U. RTE.	SECTION	COUNTY	TOTAL SHEETS	SHEET NO.
8006	10-00470-00-BR	SANGAMON	90	63
			CONTRACT NO. 93600	
ILLINOIS FED. AID PROJECT				