

STANDARD BAR SPLICER ASSEMBLY

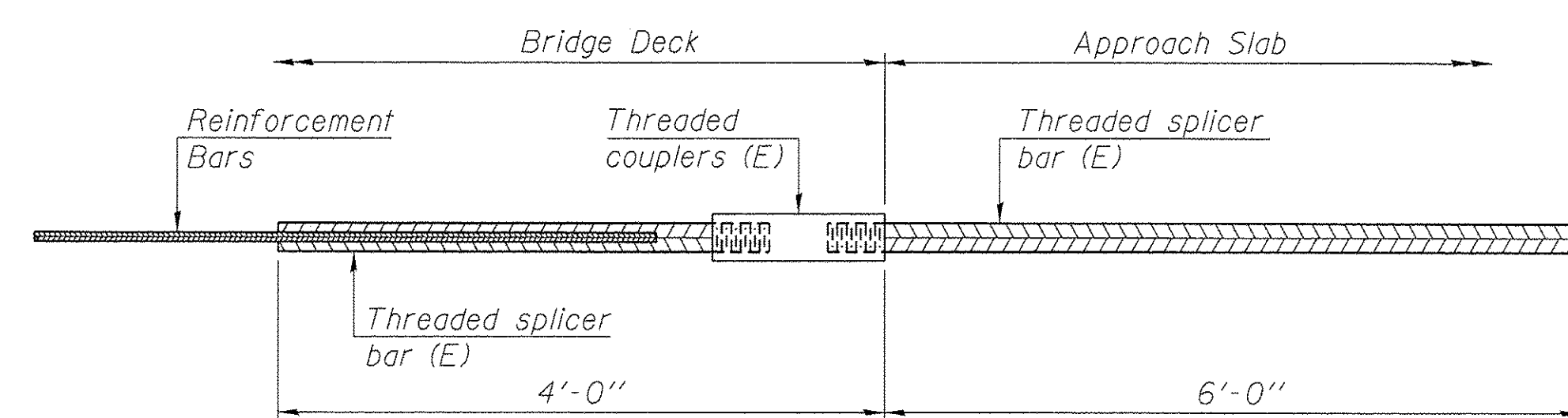
Bar size to be spliced	Minimum Lap Lengths					
	Table 1	Table 2	Table 3	Table 4	Table 5	Table 6
3, 4	1'-5"	1'-11"	2'-1"	2'-4"	2'-7"	2'-11"
5	1'-9"	2'-5"	2'-7"	2'-11"	3'-3"	3'-8"
6	2'-1"	2'-11"	3'-1"	3'-6"	3'-10"	4'-5"
7	2'-9"	3'-10"	4'-2"	4'-8"	5'-2"	5'-10"
8	3'-8"	5'-1"	5'-5"	6'-2"	6'-9"	7'-8"
9	4'-7"	6'-5"	6'-10"	7'-9"	8'-7"	9'-8"

- Table 1: Black bar, 0.8 Class C
- Table 2: Black bar, Top bar lap, 0.8 Class C
- Table 3: Epoxy bar, 0.8 Class C
- Table 4: Epoxy bar, Top bar lap, 0.8 Class C
- Table 5: Epoxy bar, Class C
- Table 6: Epoxy bar, Top bar top, Class C

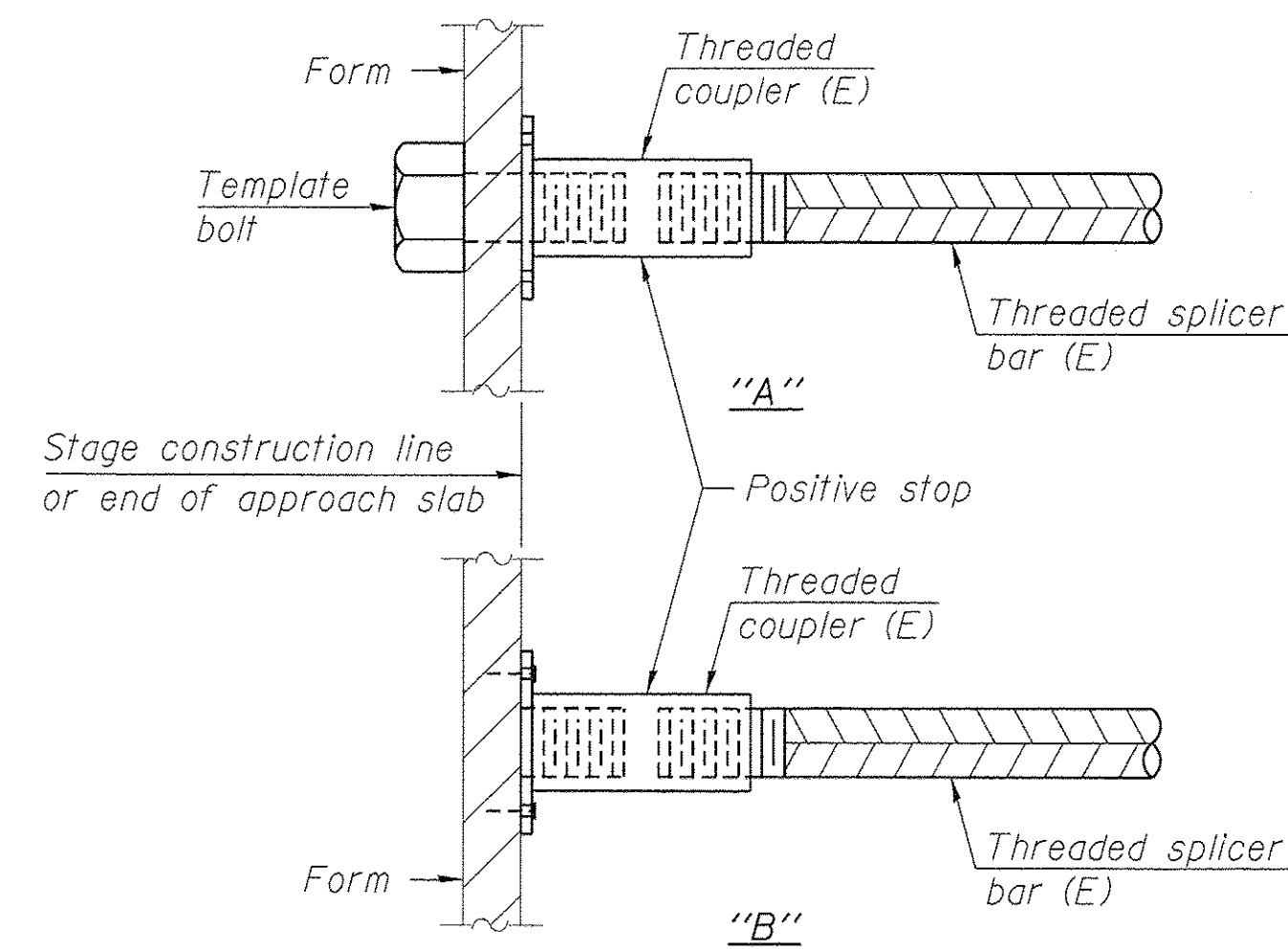
Threaded splicer bar length = min. lap length + 1/2" + thread length

* Epoxy not required on Bar Splicer Assembly components used in conjunction with black bars.

Location	Bar size	No. assemblies required	Table for minimum lap length
Concrete Wearing Surface	#4	121	3
Top of Approach Slab	#4	50	4
Bottom of Approach Slab	#5	92	3
Approach Slab Footing	#5	80	3
Abutment Cap	#7	24	4
Abutment Cap	#5	6	4
Pier Cap	#8	24	4
Pier Cap	#5	6	4
Pier Wall	#5	36	4

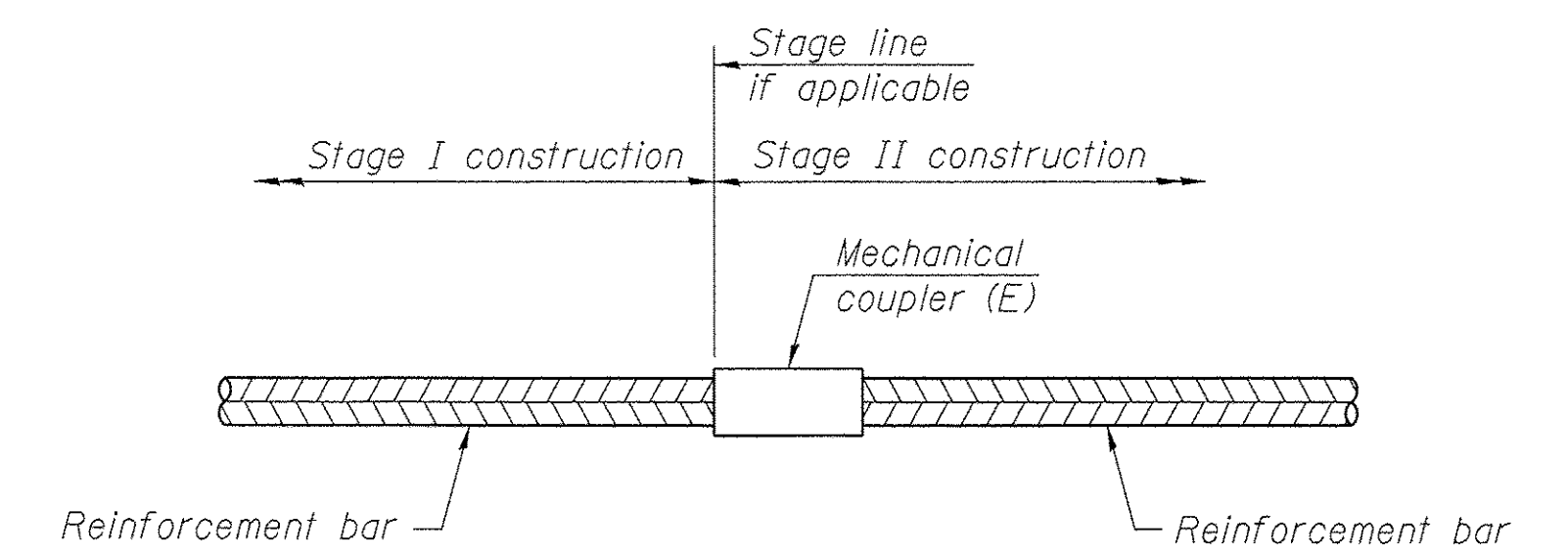


BAR SPLICER ASSEMBLY FOR #5 BAR ON INTEGRAL OR SEMI-INTEGRAL ABUTMENTS

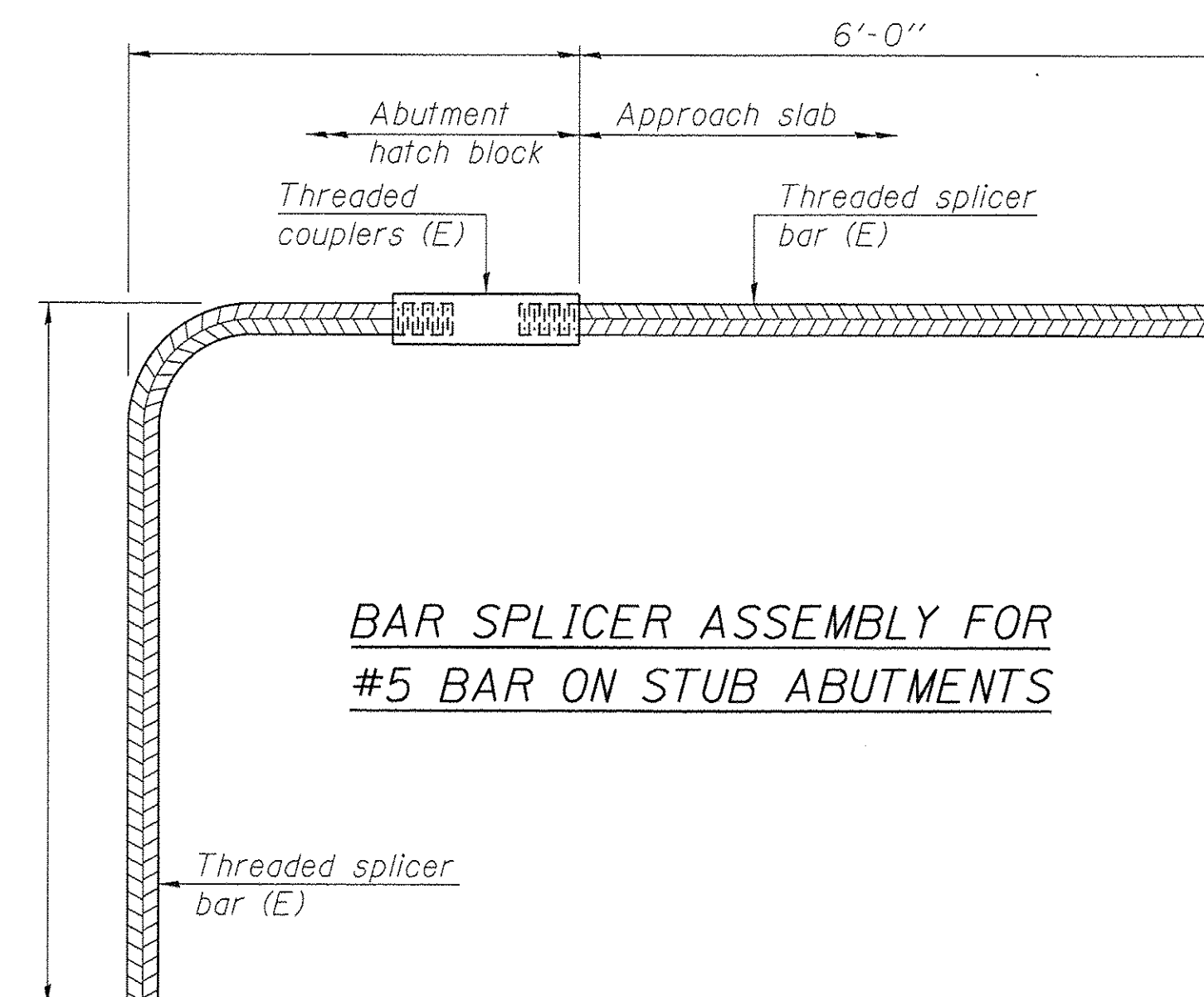


INSTALLATION AND SETTING METHODS

"A" : Set bar splicer assembly by means of a template bolt.
 "B" : Set bar splicer assembly by nailing to wood forms or cementing to steel forms.
 (E) : Indicates epoxy coating.



STANDARD MECHANICAL SPLICER



BAR SPLICER ASSEMBLY FOR #5 BAR ON STUB ABUTMENTS

NOTES

Splicer bars shall be deformed with threaded ends and have a minimum 60 ksi yield strength.
 All reinforcement shall be lapped and tied to the splicer bars.
 Bar splicer assemblies shall be epoxy coated according to the requirements for reinforcement bars. See Section 508 of the Standard Specifications.
 See approved list of bar splicer assemblies and mechanical splicers for alternatives.

BSD-1 1-27-12

FILE NAME =	USER NAME =	DESIGNED -	REVISED -	Allen Henderson & Associates, Inc. Civil and Structural Engineers Springfield, IL. 62703 Phone: (217)544-8033 IL Design Firm No. 184-001907	BAR SPLICER ASSEMBLY AND MECHANICAL SPLICER DETAILS STRUCTURE NO. 084-6019	F.A.U. RTE.	SECTION	COUNTY	TOTAL SHEETS	SHEET NO.
PLOT SCALE =	DRAWN -	REVISED -	8006			10-00470-00-BR	SANGAMON	90	65	
PLOT DATE =	CHECKED -	REVISED -	CONTRACT NO. 93600							
						ILLINOIS FED. AID PROJECT				