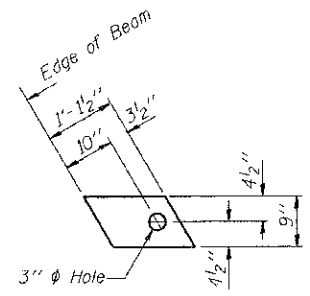


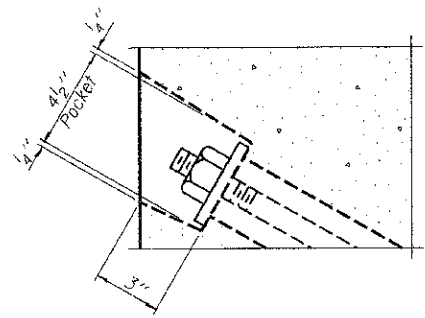
**1/2" FABRIC BEARING PAD**  
(Interior)



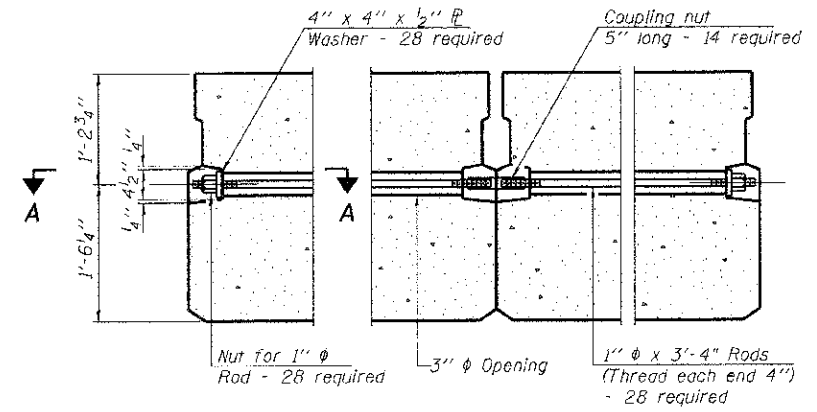
**1/2" FABRIC BEARING PAD**  
(Exterior)

**Notes:**  
Omit holes when using expansion bearings.  
Expansion bearing pad shall be bonded to the substructure.

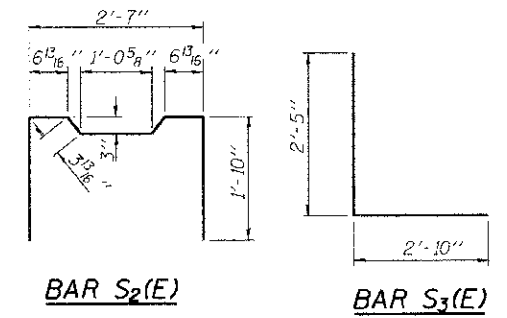
**FIXED**



**SECTION A-A**

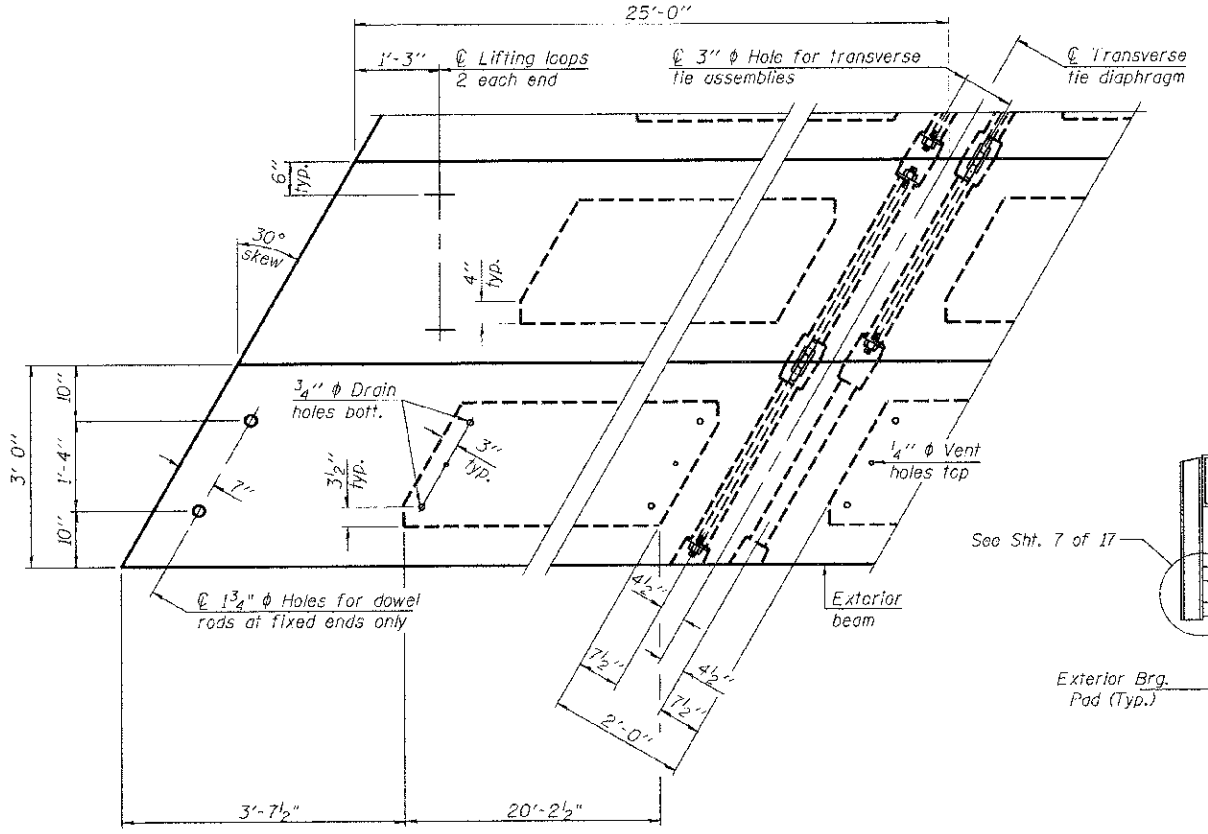


**TYPICAL TRANSVERSE TIE ASSEMBLY**

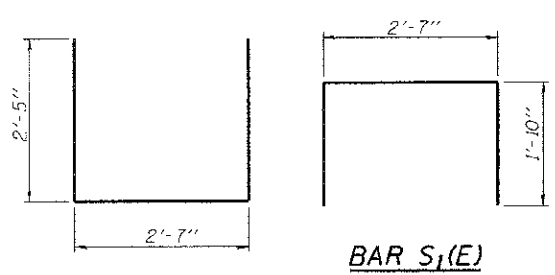


**BAR S<sub>2</sub>(E)**

**BAR S<sub>3</sub>(E)**

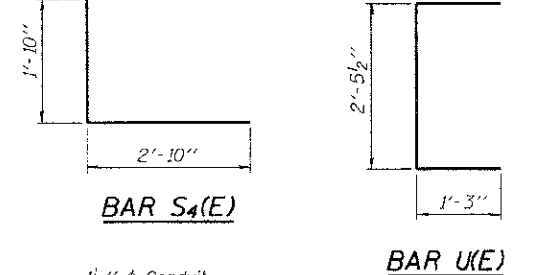


**PLAN VIEW**



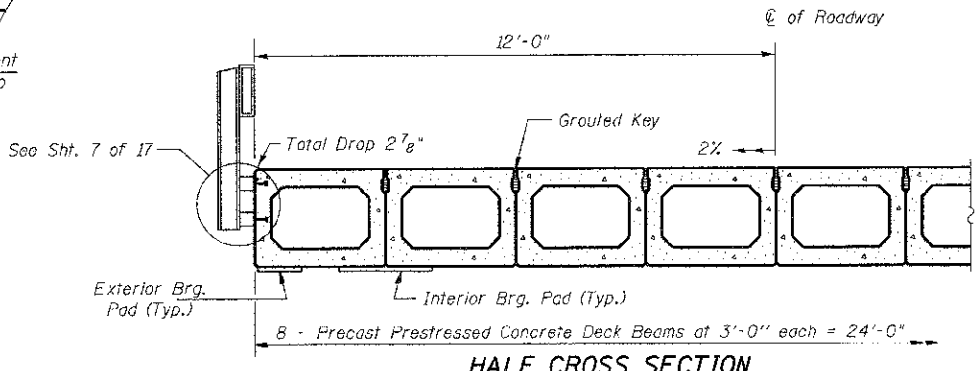
**BAR S(E)**

**BAR S<sub>1</sub>(E)**

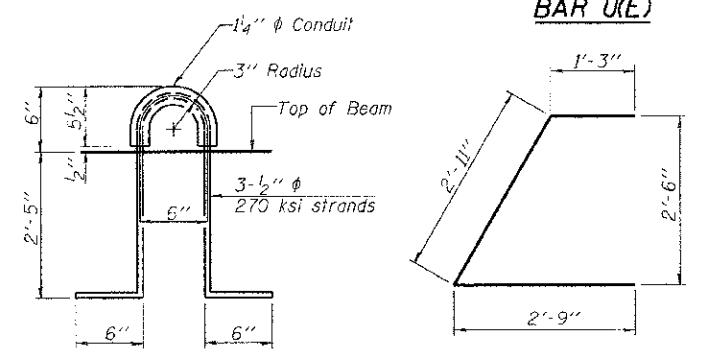


**BAR S<sub>4</sub>(E)**

**BAR U(E)**



**HALF CROSS SECTION**



**LIFTING LOOP DETAIL**

**BAR U<sub>1</sub>(E)**

**BILL OF MATERIAL**

Precast Prestressed Conc. Deck Bms. (33" depth)	Sq. Ft.	1,780
---	---------	-------

**NOTES**

Prestressing steel shall be uncoated high strength, low relaxation 7-wire strand, Grade 270. The nominal diameter shall be 1/2" and the nominal cross-sectional area shall be 0.153 sq. in. The 1" rods in the transverse tie assembly shall be tightened to a snug fit and the threads set. Pockets on exterior faces of bridge shall be filled with grout after transverse tie assembly is in place.  
Reinforcement bars shall conform to ASTM A 706, Grade 60.  
Two 1/8" fabric adjusting shims of the dimensions of the exterior bearing pad shall be provided for each bearing pad location.  
A minimum 2 1/2" diameter lifting pin shall be used to engage the lifting loops during handling.  
Corrosion Inhibitor, per Article 1020.05(b)(10) and 1021.07 of the Standard Specifications, shall be used in the concrete for precast prestressed concrete deck beams.  
Compressive strength of prestressed concrete, f'c, shall be 6000 psi.  
Compressive strength of prestressed concrete at release, f'ci, shall be 5000 psi.

Note: Connect beams in pairs with the transverse tie configuration shown.



USER NAME	DESIGNED	REVISIONS
PLOT SCALE	CHECKED	REVISIONS
PLOT DATE	DRAWN	REVISIONS
	CHECKED	REVISIONS

**STATE OF ILLINOIS**  
**DEPARTMENT OF TRANSPORTATION**

**33" x 36" PPC DECK BEAM DETAILS**  
**SN 011-3408**

Sheet No. 6 of 8 sheets.

T.R.	SECTION	COUNTY	TOTAL SHEETS	SHEET NO.
57	06-03111-00-BR	CHRISTIAN	17	9
			CONTRACT NO. 93601	
ILLINOIS FED. AID PROJECT				