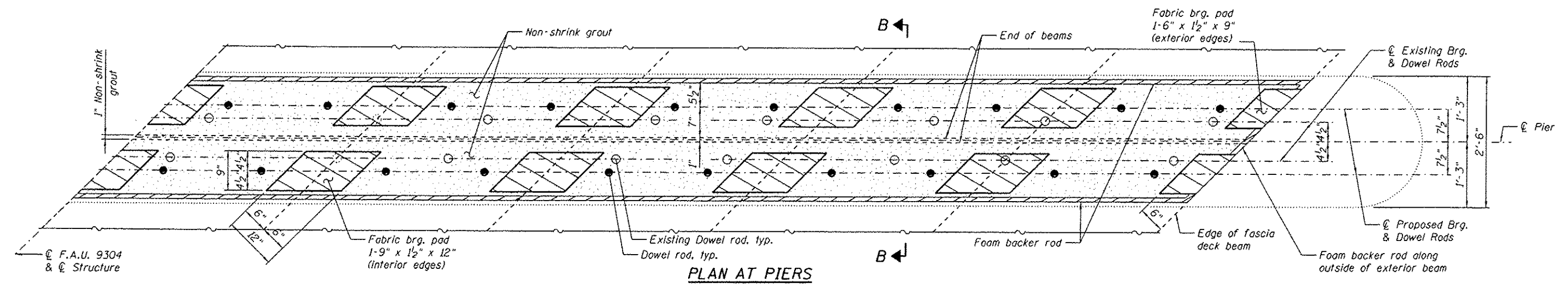
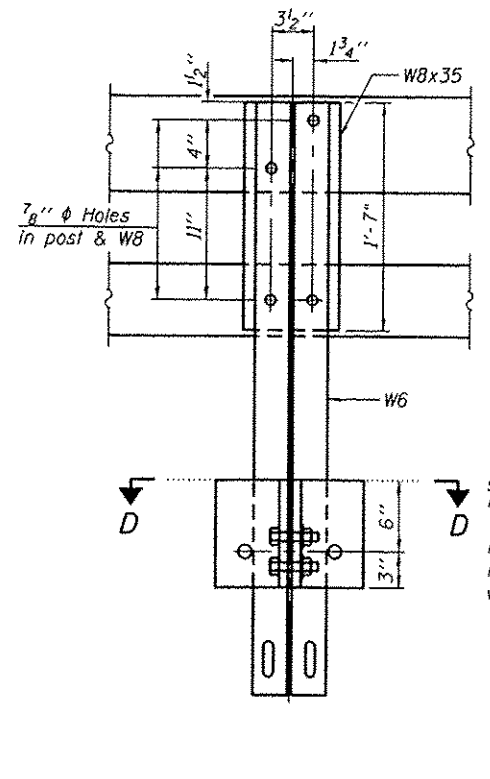


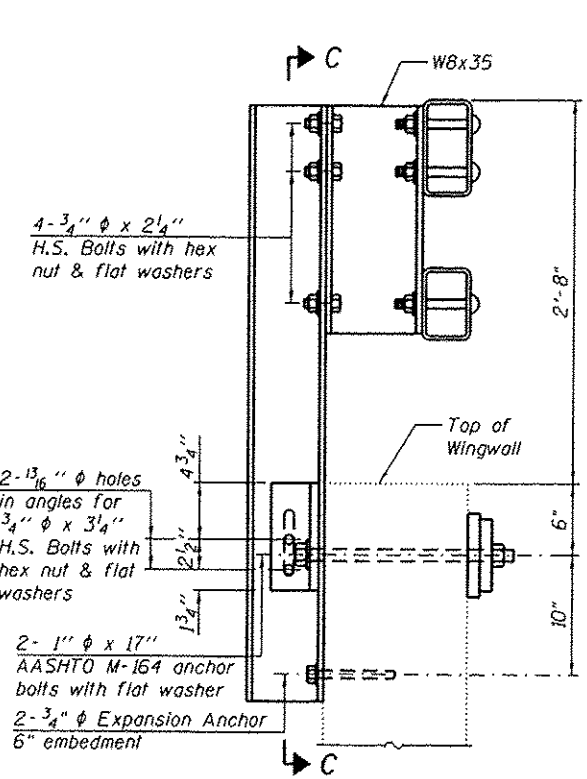
PLAN AT ABUTMENTS



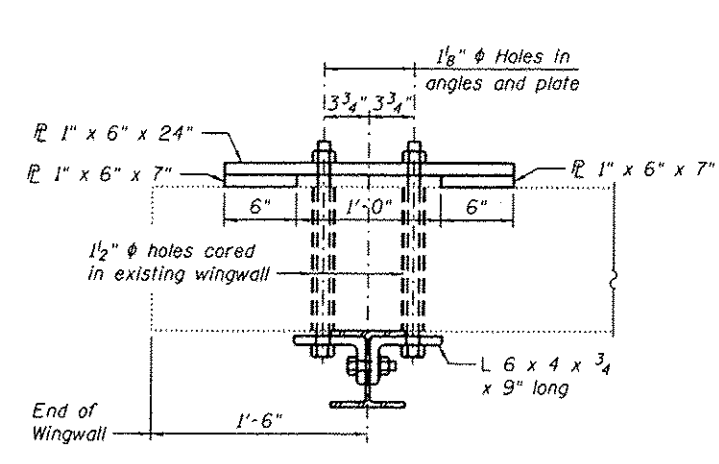
PLAN AT PIERS



SECTION C-C



SECTION AT WINGWALL POST



SECTION D-D

- Substructure Notes:
1. Cut or burn existing dowel rods flush with existing substructure surface. Grind existing dowel rods smooth and seal with epoxy. Cost included with Removal of Existing Superstructures.
 2. The bearing seat surfaces shall be adjusted by shimming the bearing to assure firm and even bearing prior to placement of grout. 2-1/8" fabric adjusting pads shall be provided for each bearing.
 3. See Sections A-A and B-B on Sheet 2 of 12.
 4. See Sheet 5 of 12 for proposed dowel rod spacing.

- Railing Notes:
1. See Sheet 3 of 12 for details not shown.
 2. The cost of anchoring the railing posts at the wingwalls, including excavation, shall be included in the cost of "Steel Railing, Type SM".

FILE NAME: P:\1286131-CAD - DWG\A.3-511087682-97524-006-Substructure D11.dgn

THOUVENOT, WADE & MERCHEN, INC. **TWM**
 SWANSEA • WATERLOO • EDWARDSVILLE • ST. LOUIS • ST. CHARLES

USER NAME: m_joost	DESIGNED: MJJ	REVISED:
PLOT SCALE: 0:2.0000 1' = 1"	CHECKED: ALN	REVISED:
PLOT DATE: 3/12/2013	DRAWN: MJJ	REVISED:
	CHECKED: ALN	REVISED:

STATE OF ILLINOIS
 DEPARTMENT OF TRANSPORTATION

SUBSTRUCTURE DETAILS
 STRUCTURE NO. 067-6002
 SHEET NO. 6 OF 12 SHEETS

F.A.U. R.T.E.	SECTION	COUNTY	TOTAL SHEETS	SHEET NO.
9304	12-00023-01-BR	MONROE	16	10
ROAD DIST. NO.		ILLINOIS FED. AID PROJECT		