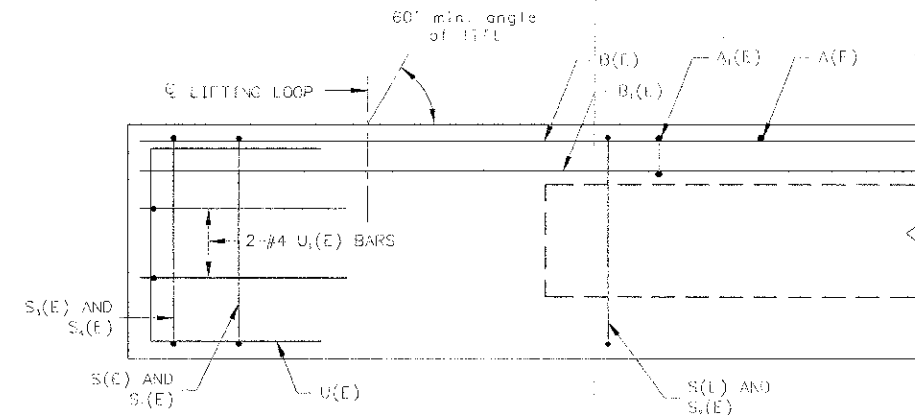
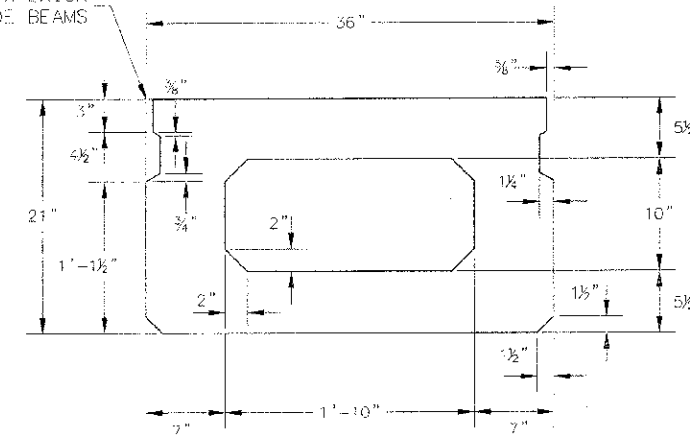


SECTION NO.	COUNTY HIGHWAY	COUNTY	SHEET OF SHEETS
08-00087-06-BR	CH 48	ST. CLAIR	9 OF 15
FHWA REG. NO. 7	ILLINOIS	PROJ. BROS-0163(031)	
52' DECK BEAM		CONTRACT 97525	

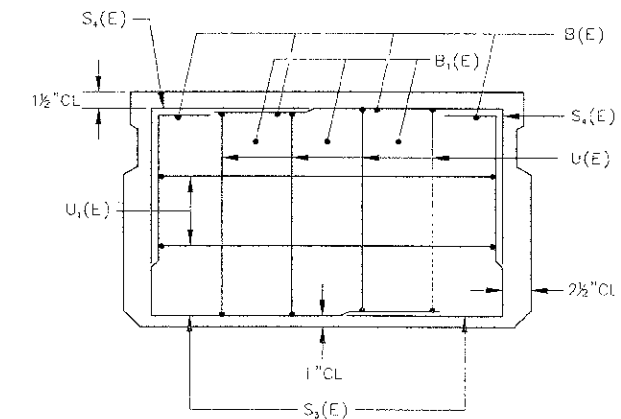


SECTION A-A

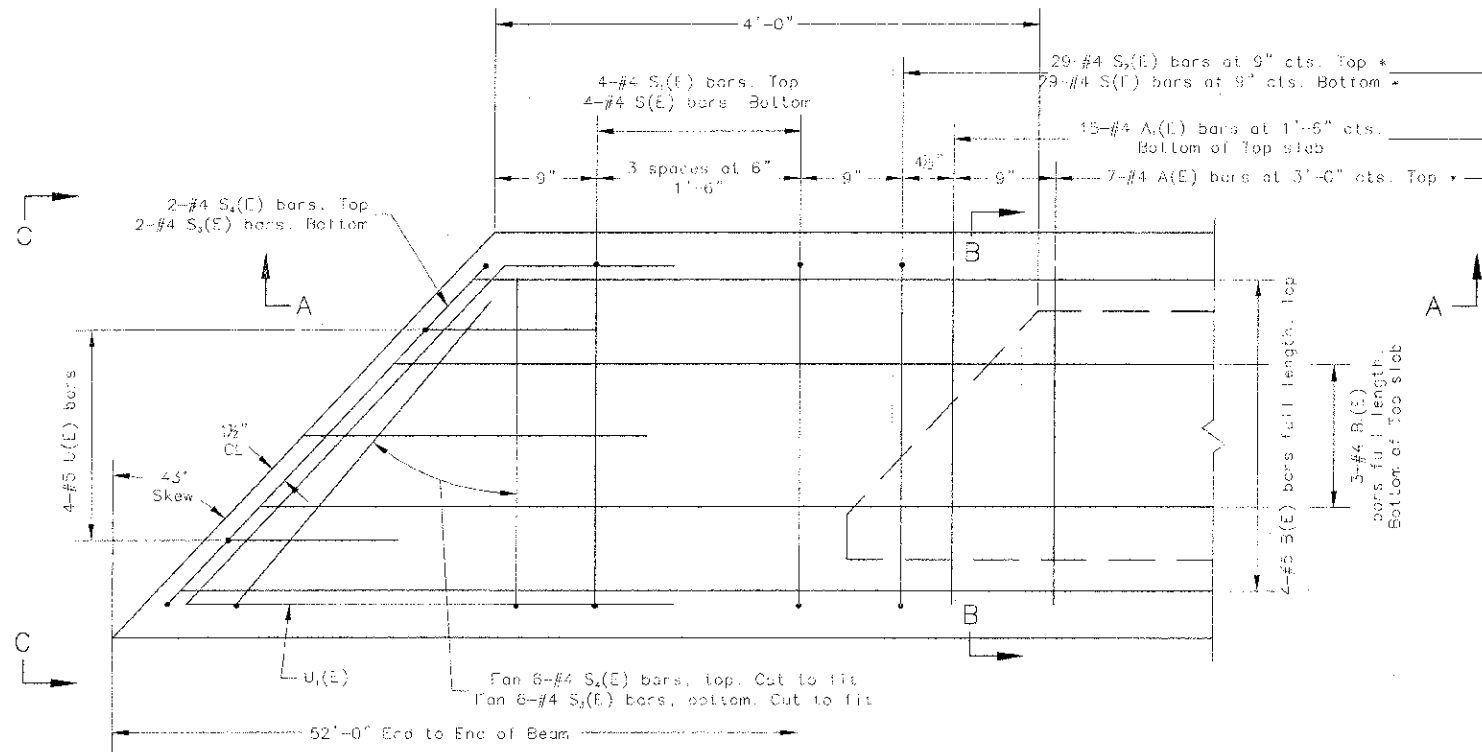
OMIT KEY ON EXTERIOR FACE OF OUTSIDE BEAMS



SECTION B-B
(SHOWING DIMENSIONS)

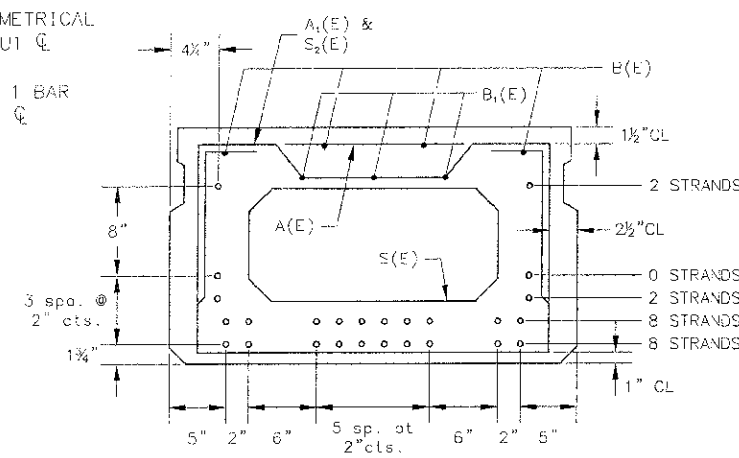


VIEW C-C



SYMMETRICAL ABOUT \bar{C}

* ADD 1 BAR AT \bar{C}



(STRAND PATTERN 20SS)

SECTION B-B

(SHOWING REINFORCEMENT AND PERMISSIBLE STRAND LOCATIONS)

NOTE: PLACE THE NUMBER OF STRANDS SPECIFIED IN EACH ROW SYMMETRICALLY ABOUT THE CENTERLINE OF BEAM IN THE PERMISSIBLE STRAND LOCATIONS SHOWN.

MINIMUM BAR LAP

#4 BAR = 2'-0"
#5 BAR = 2'-5"

BAR LIST
ONE BEAM ONLY
(FOR INFORMATION ONLY)

BAR	NO.	SIZE	LENGTH	SHAPE
A(E)	15	#4	2'-7"	—
A1(E)	30	#4	2'-10"	~
B(E)	4	#5	51'-8"	—
B1(E)	5	#4	51'-8"	—
S(E)	67	#4	6'-5"	□
S1(E)	8	#4	4'-11"	□
S2(E)	59	#4	5'-2"	□
S3(C)	16	#4	5'-4"	□
S4(E)	16	#4	4'-7"	□
U(E)	8	#5	4'-0"	□
U1(E)	4	#4	8'-3"	□

NOTE: SEE SHEET 10 FOR ADDITIONAL DETAILS.
NOTE: ALL REBAR SHOWN ARE TO BE EPOXY COATED

NOTE: SPACING OF S(E) AND S2(E) BARS MAY BE ADJUSTED UP TO 4" IN THE IMMEDIATE AREA OF THE TRANSVERSE TIE DIAPHRAGMS TO MISS THE BLOCK OUTS FOR THE TRANSVERSE TIES.

INITIALS	DATE
DESIGNED WES	10/12
CHECKED AMC	3/13
DRAWN WES	10/12
CHECKED AMC	3/13
PREPARED BY ST. CLAIR COUNTY	
CADD DRAWING FILE: BEAM	

P.P.C. DECK BEAM
21" x 36" x 52' BEAMS
30' ROADWAY

PLOT DATE: 4/13