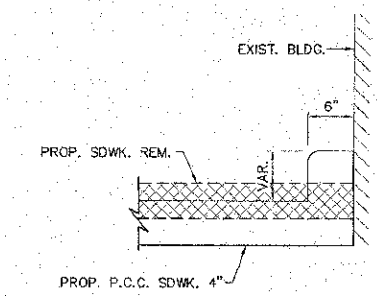
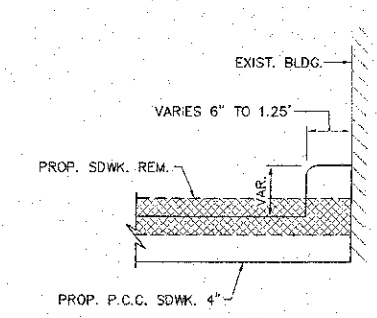


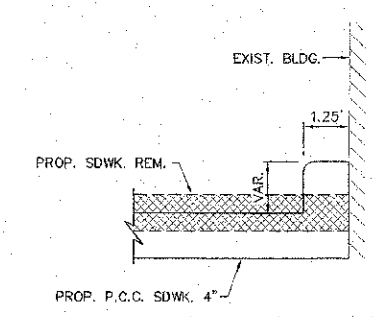
SECTION A - A



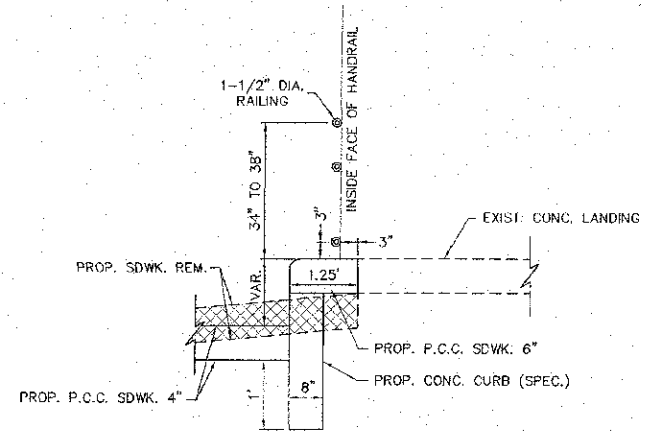
SECTION B - B



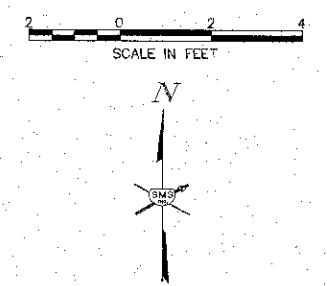
SECTION C - C



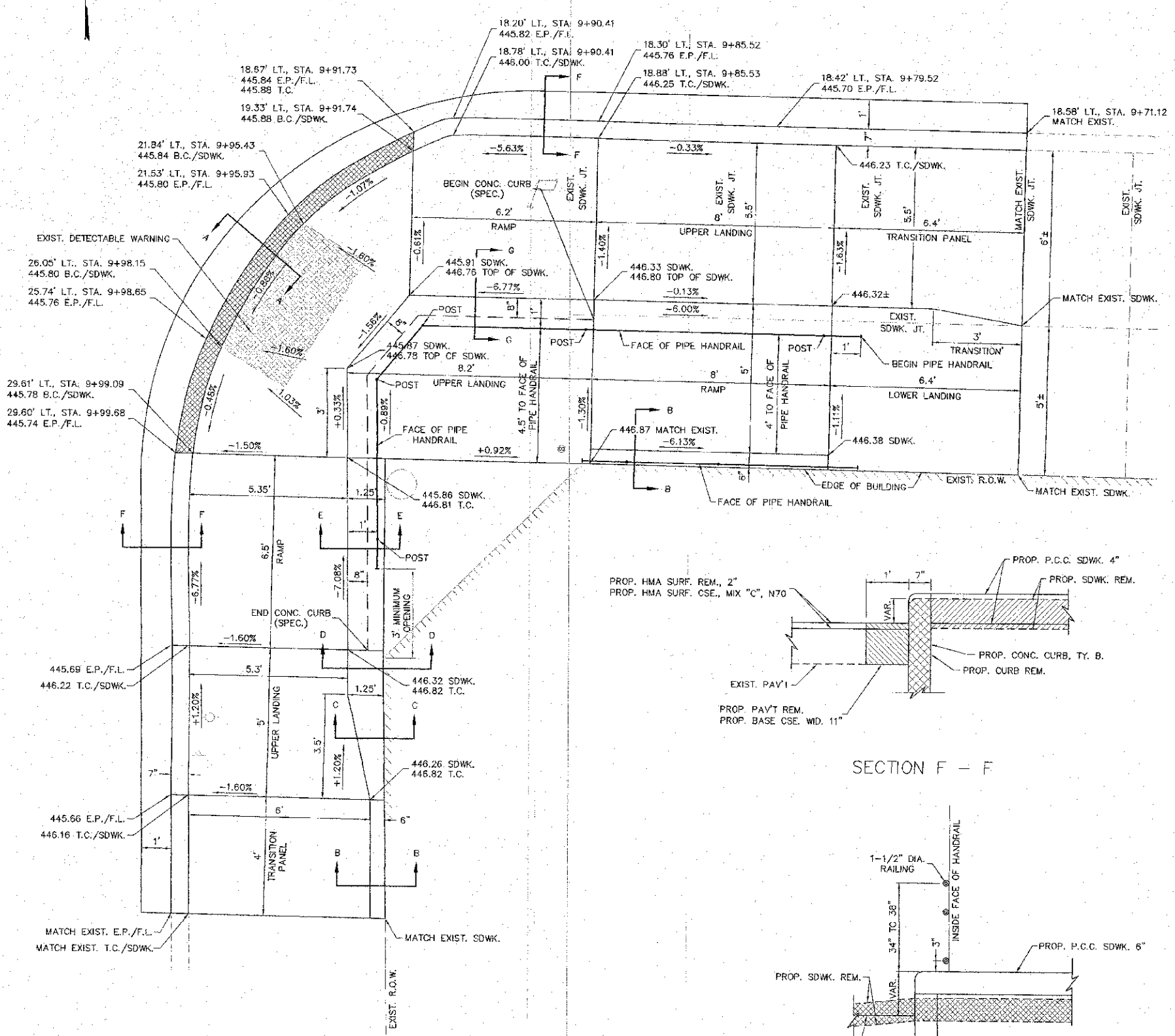
SECTION D - D



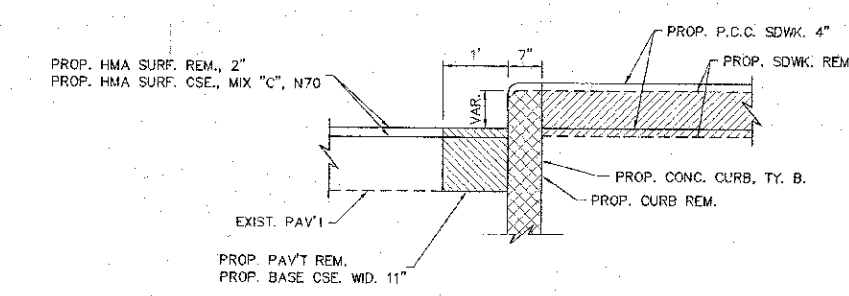
SECTION E - E



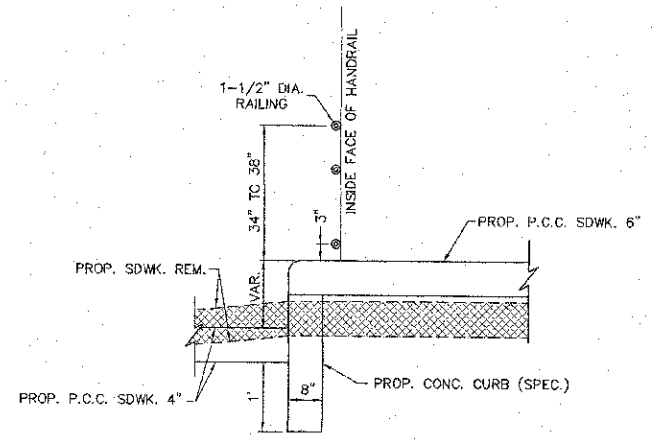
FERGUSON AVE.



6TH ST.



SECTION F - F



SECTION G - G

SEE PLAN SHEET FOR LOCATION OF DETECTABLE WARNING

6TH ST. SE. QUAD

F.A.U. RTE.	SECTION	COUNTY	TOTAL SHEETS	SHEET NO.
8971	10-00047-02-RS	MADISON	45	21

CONTRACT NO. 97526

REVISIONS

SMS Sheppard, Morgan & Schwaab, Inc.
CONSULTING ENGINEERS AND LAND SURVEYORS
215 Market Street, P.O. Box E, Alton, IL 62002, 618462-2745, E-mail: sms@smssheppard.com
10 Central Industrial Drive, Suite 3, Granite City, IL 62040, 618977-5700, E-mail: mail@smssheppard.com
DESIGN FIRM # 164-000992

CITY OF WOOD RIVER, ILLINOIS
FERGUSON AVENUE RESURFACING
SECTION 10-00047-02-RS
INTERSECTION DETAILS

DWG. NO. 10-00047-02-RS-21

REF. BK.	P.C.
DSN. NO.	488044
DSN. BY:	LDA
DWN. BY:	CAD
CHK. BY:	LDA
DATE:	APRIL, 2013

SCALE: NOT TO SCALE
SHEET 21 OF 45

S:\Land Projects\WOOD RIVER PS (488044)\FERGUSON HC RAMP\dwg\INT DET FERGUSON 6TH.dwg, 4/15/2013 5:48:25 AM, jman, L2