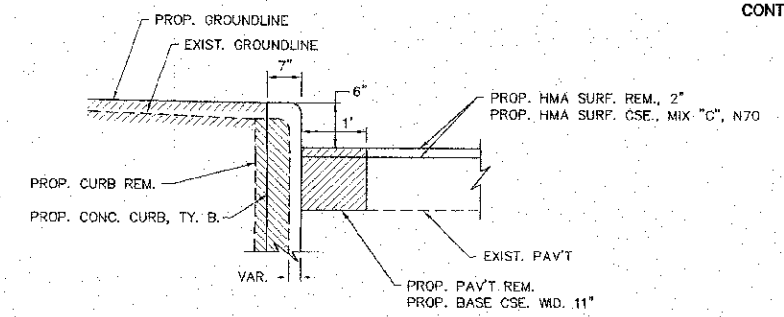
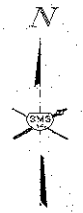
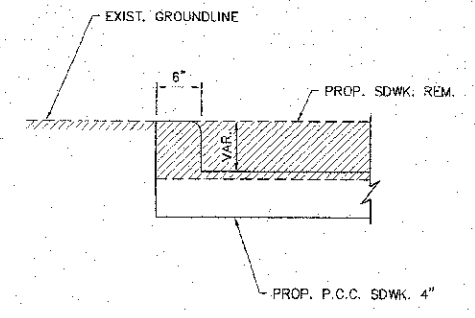


CONTRACT NO. 97526

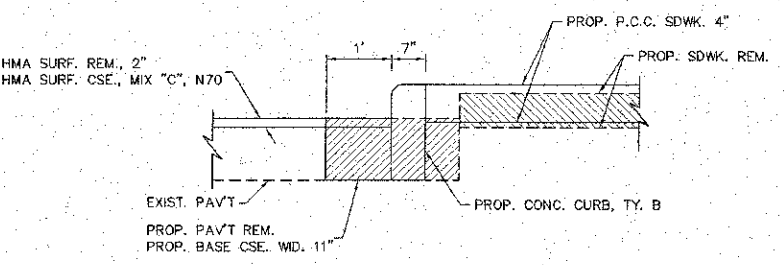
SCALE IN FEET



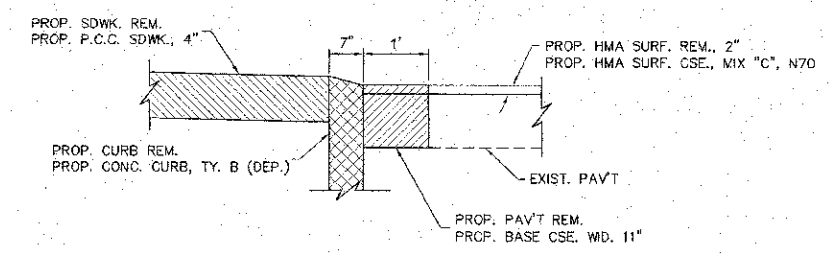
SECTION B - B



SECTION C - C



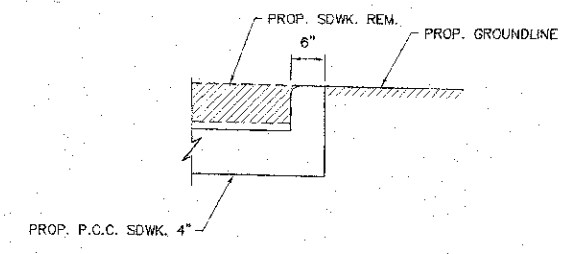
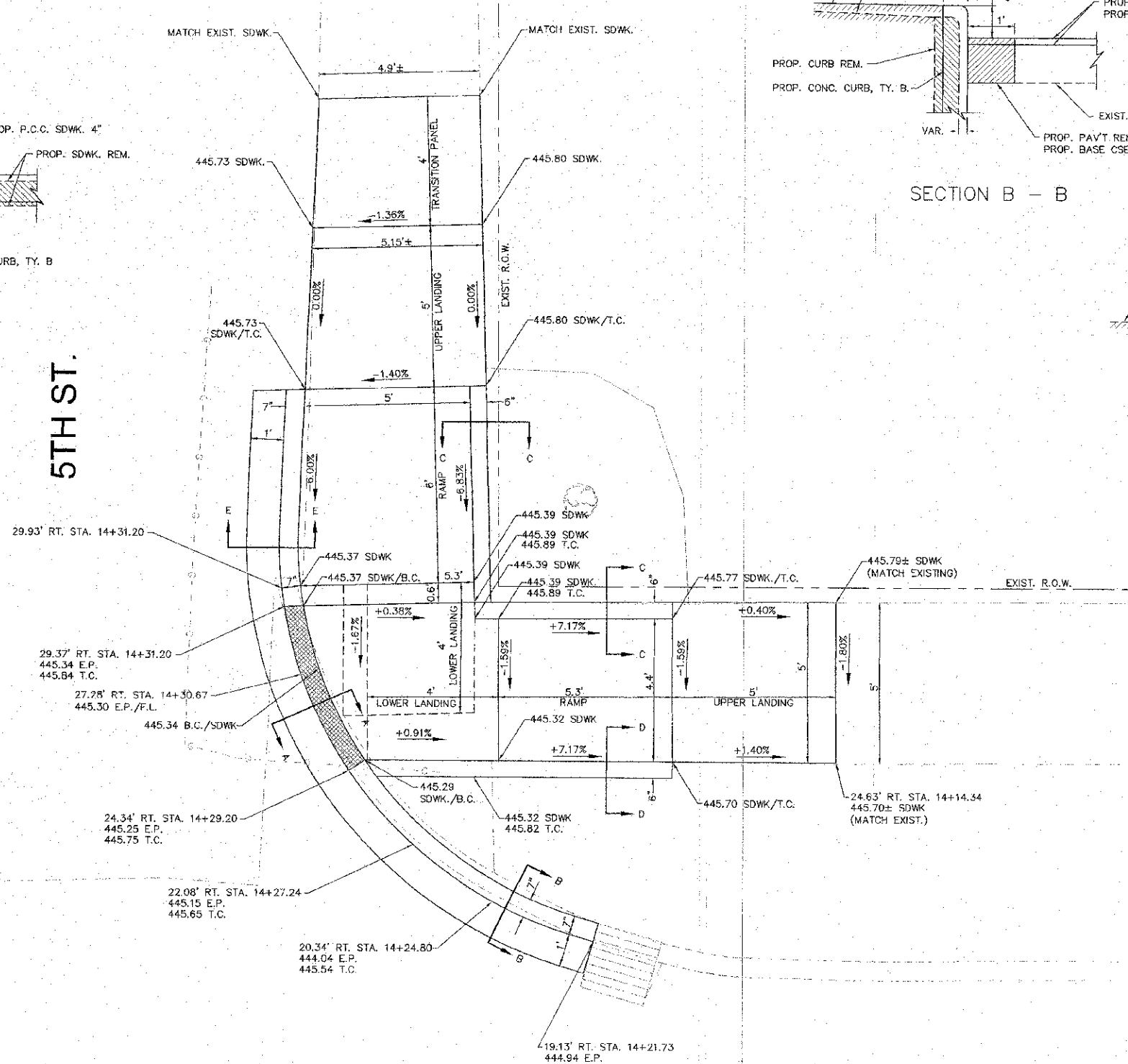
SECTION E - E



SECTION A - A

5TH ST.

FERGUSON AVE.



SECTION D - D

SEE PLAN SHEET FOR LOCATION OF DETECTABLE WARNING

5TH ST. NE. QUAD

REVISIONS

**SMS** Sheppard, Morgan & Schwaab, Inc.  
CONSULTING ENGINEERS AND LAND SURVEYORS

115 Maple Street, P.O. Box E, Alton, IL 62002, 618-462-2750, E-mail: mail@smsengineers.com  
10 Cedar Island Drive, Suite 200, E. Alton, IL 62002, 618-462-2750, E-mail: info@smsengineers.com  
DESIGN FIRM # 184-005992

CITY OF WOOD RIVER, ILLINOIS  
FERGUSON AVENUE RESURFACING  
SECTION 10-00047-02-RS  
INTERSECTION DETAILS

DWG. NO.	10-00047-02-RS
REF. BK. PG.	10-00047-02-RS
JOB NO.	488044
DSN. BY:	LDA
DWN. BY:	CAD
CHK. BY:	LDA
DATE:	APRIL, 2013
SCALE:	NOT TO SCALE
SHEET	24 OF 45

S:\land Project\WOOD RIVER PS (488044)\FERGUSON-HC RAMPS.dwg WRT:DLT FERGUSON 5/11/13 8:51:16 AM, jiman, 12