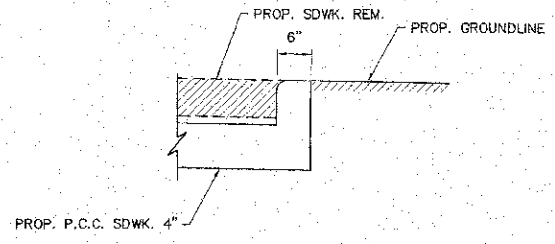
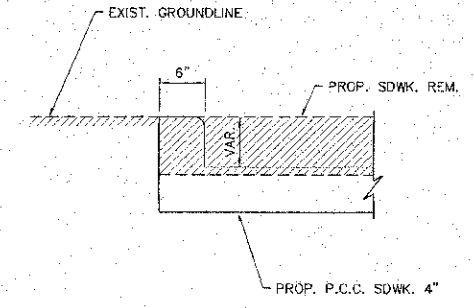


F.A.U. RTE.	SECTION	COUNTY	TOTAL SHEETS	SHEET NO.
8971	10-00047-02-RS	MADISON	45	26

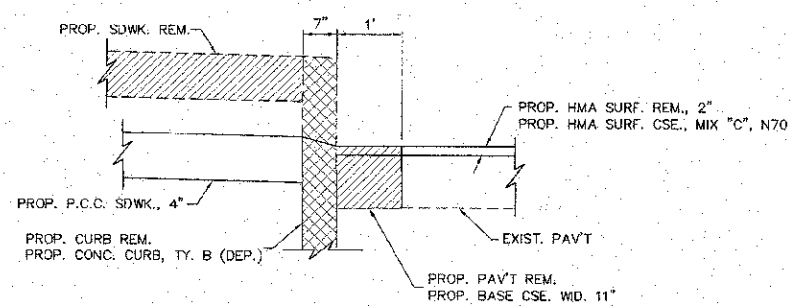
CONTRACT NO. 97526



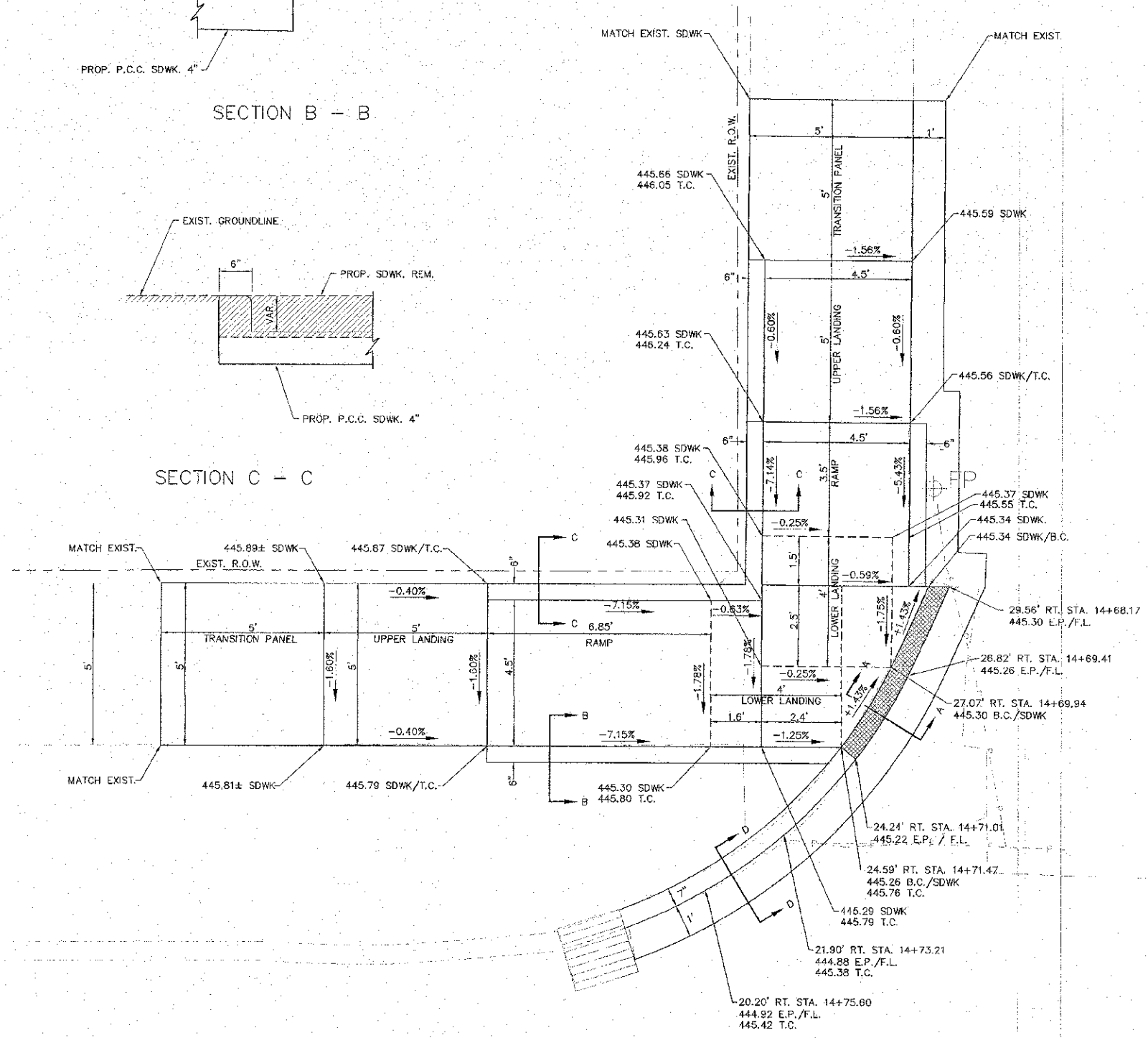
SECTION B - B



SECTION C - C

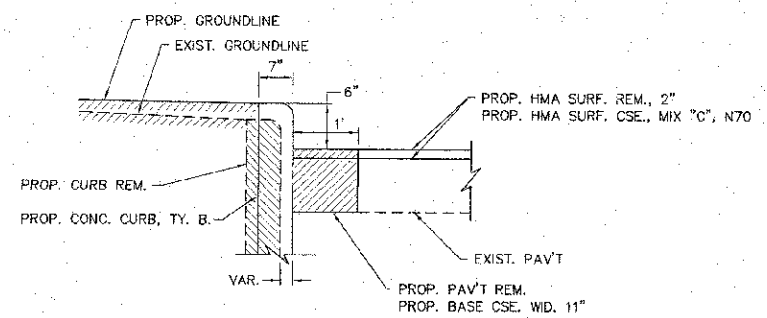


SECTION A - A



FERGUSON AVE.

5TH ST.



SECTION D - D

SEE PLAN SHEET FOR LOCATION OF DETECTABLE WARNING

REVISIONS

SMS ENGINEERS
 Sheppard, Morgan & Schwaab, Inc.
 CONSULTING ENGINEERS AND LAND SURVEYORS
 270 Madison Street, P.O. Box E, Alton, IL 62002, (618) 462-2752, Email: info@smsengineers.com
 10 Central Industrial Drive, Suite 1, Granite City, IL 62040, (618) 477-4707, Email: info@smsengineers.com
 DESIGN FIRM # 184-000992

CITY OF WOOD RIVER, ILLINOIS
 FERGUSON AVENUE RESURFACING
 SECTION 10-00047-02-RS
 INTERSECTION DETAILS

DWG. NO.	10-00047-02-RS
DATE	APRIL 2013
CHK. BY	LDA
DES. BY	LDA
APP. BY	
DATE	APRIL 2013

5TH ST. NW. QUAD

S:\land Projects\WOOD RIVER P5 (488044) FERGUSON P-C RAMP\5th\JNT DET FERGUSON 5TH.dwg, 4/15/2013 8:51:55 AM, jman, 1:2