

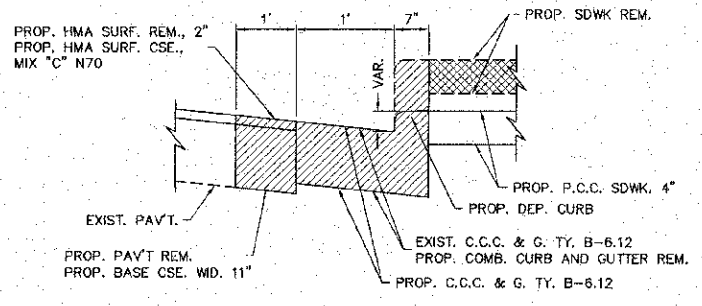
F.A.J. RTE.	SECTION	COUNTY	TOTAL SHEETS	SHEET NO.
8971	10-00047-02-RS	MADISON	45	36

CONTRACT NO. 97526

REVISIONS

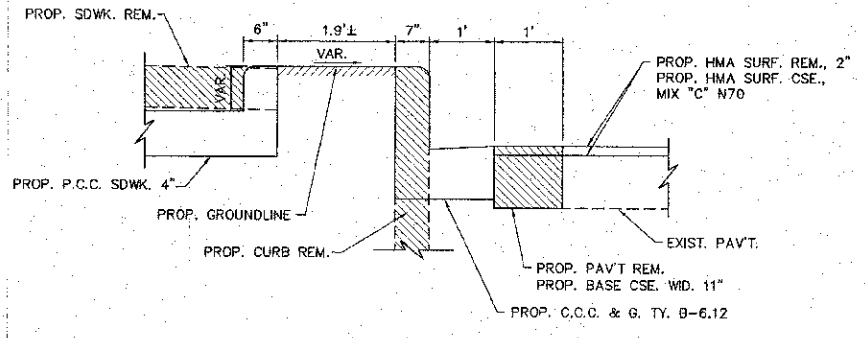
SMS Sheppard, Morgan & Schwaab, Inc.
 CONSULTING ENGINEERS AND LAND SURVEYORS
 216 Marshall Street, P.O. Box E, Moline, IL 61201-0002 815.463.0700 Email: info@sms-engineers.com
 10 Capital Industrial Drive, Suite 1, Geneva, IL 60135 815.237.3370 Email: info@sms-engineers.com
 DESIGN FIRM # 184-000992

CITY OF WOOD RIVER, ILLINOIS
 FERGUSON AVENUE RESURFACING
 SECTION 10-00047-02-RS
 INTERSECTION DETAILS

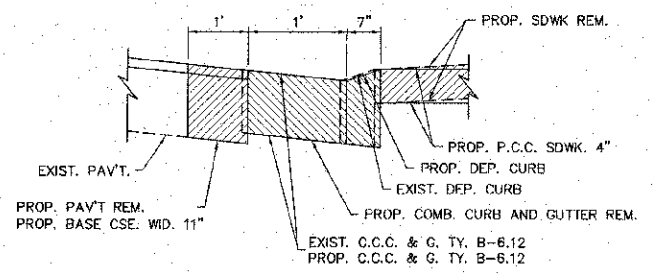


SECTION B - B

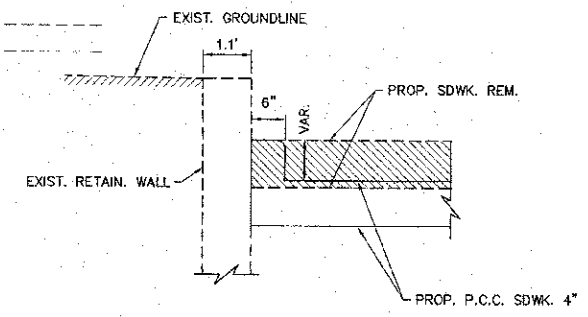
2ND ST.



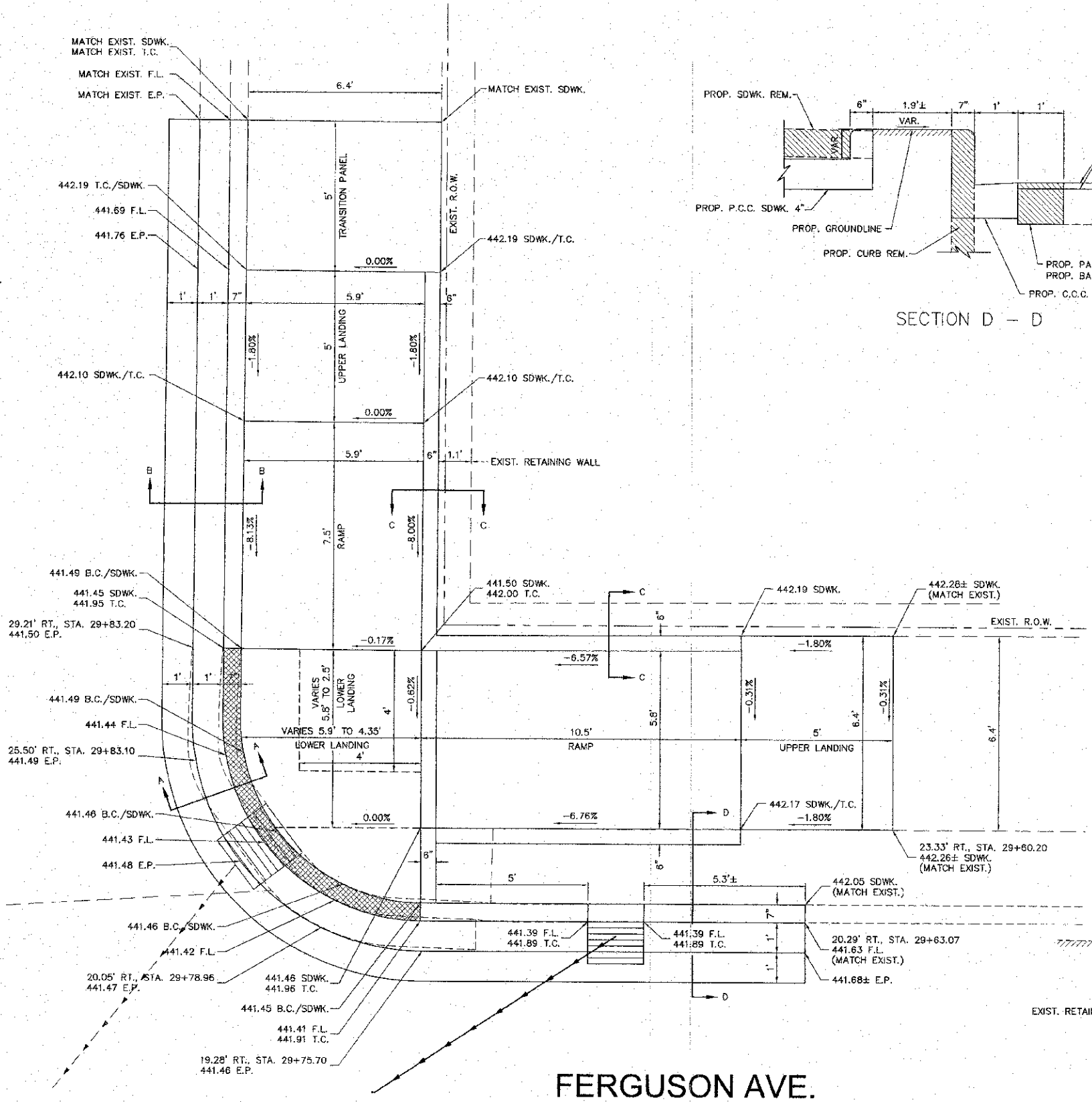
SECTION D - D



SECTION A - A



SECTION C - C



SEE PLAN SHEET
 FOR LOCATION OF
 DETECTABLE WARNING

2ND ST. NE. QUAD

DWG. NO.	10-00047-02-RS
DATE	APRIL, 2013
SCALE	NOT TO SCALE
SHEET	36 OF 45