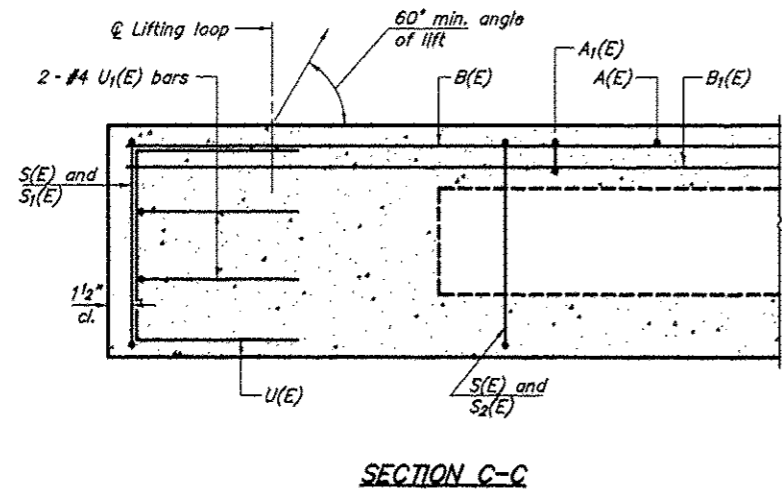
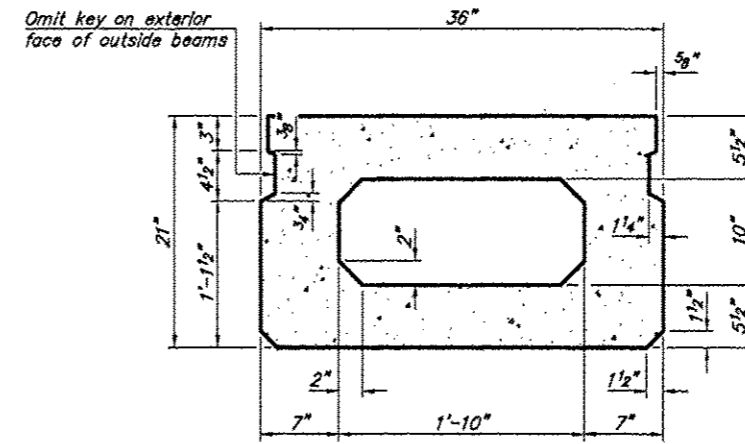


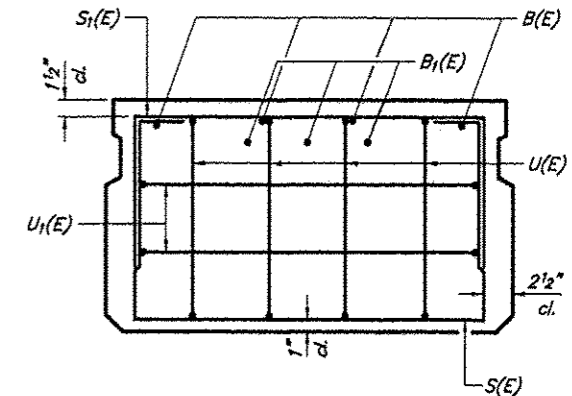
ROUTE	SECTION	COUNTY	TOTAL SHEETS	SHEET NO
TR 239	06-06117-00-BR	SALINE	14	4
PROJECT NO. BROS-165(30)			CONTRACT NO. 99488	



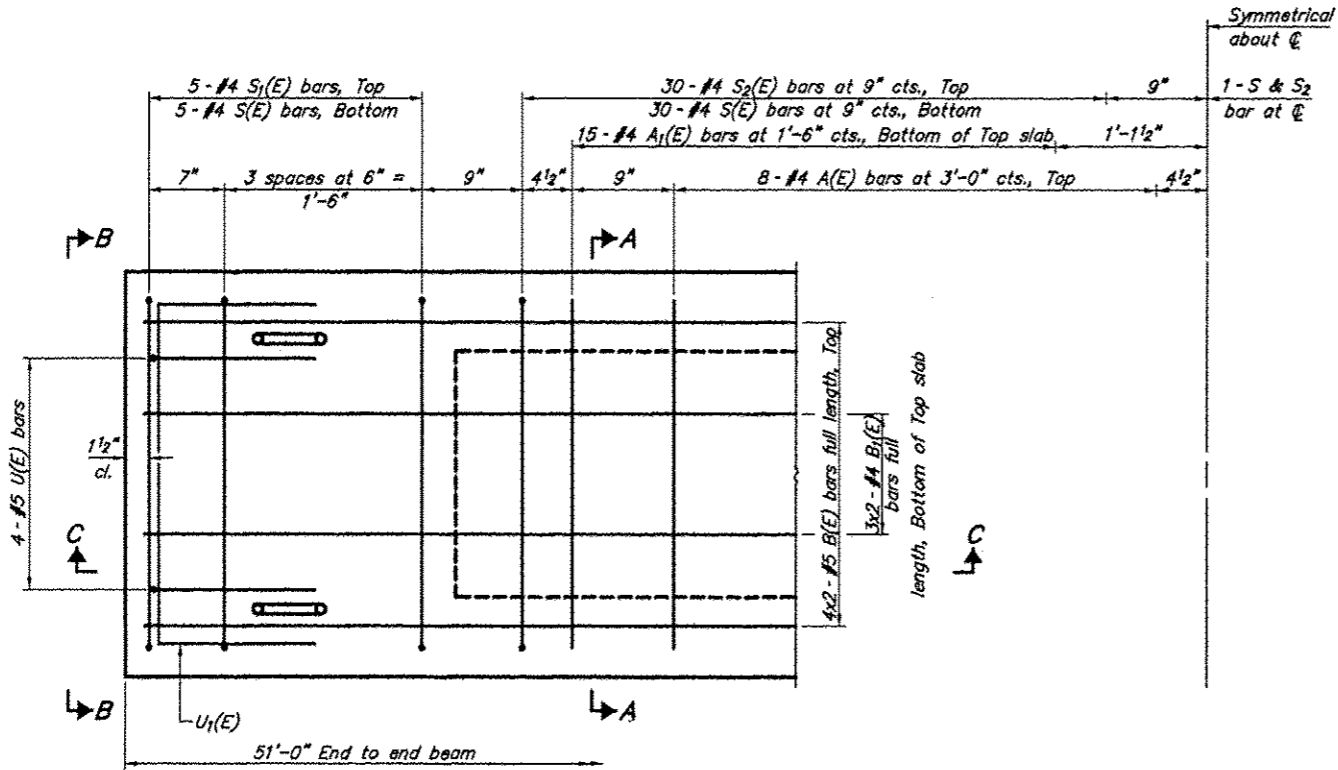
SECTION C-C



SECTION A-A  
(Showing dimensions)

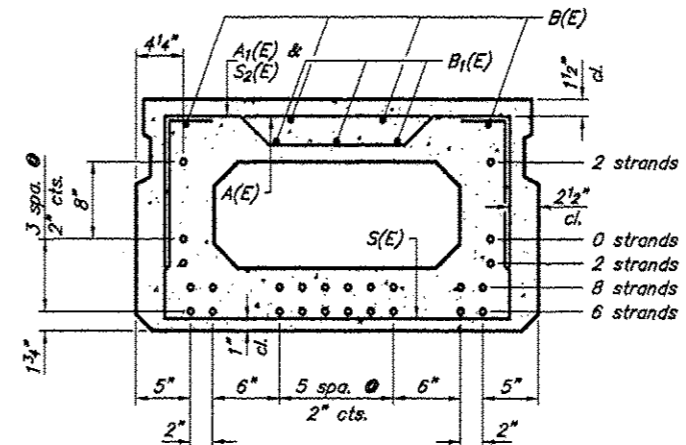


VIEW B-B



PLAN VIEW

Note: Spacing of S(E) and S2(E) bars may be adjusted up to 4" in the immediate area of the transverse tie diaphragms to miss the block outs for the transverse ties.



SECTION A-A

(Showing reinforcement and permissible strand locations)

Note: Place the number of strands specified in each row symmetrically about the centerline of beam in the permissible strand locations shown.

BAR LIST  
ONE BEAM ONLY  
(For information only)

Bar	No.	Size	Length	Shape
A(E)	16	#4	2'-7"	—
A1(E)	30	#4	2'-10"	—
B(E)	8	#5	26'-5"	—
B1(E)	6	#4	26'-2"	—
S(E)	71	#4	6'-5"	□
S1(E)	10	#4	4'-11"	□
S2(E)	61	#4	5'-2"	□
U(E)	8	#5	4'-0"	□
U1(E)	4	#4	5'-0"	□

Bar Laps #4 bars = 1'-8"  
#5 bars = 2'-2"

21" X 36" PPC DECK BEAM  
TOWNSHIP ROUTE 239 (BRIER CREEK ROAD)  
BRIER CREEK  
SECTION 06-06117-00-BR  
SALINE COUNTY  
STRUCTURE NO. 083-3237