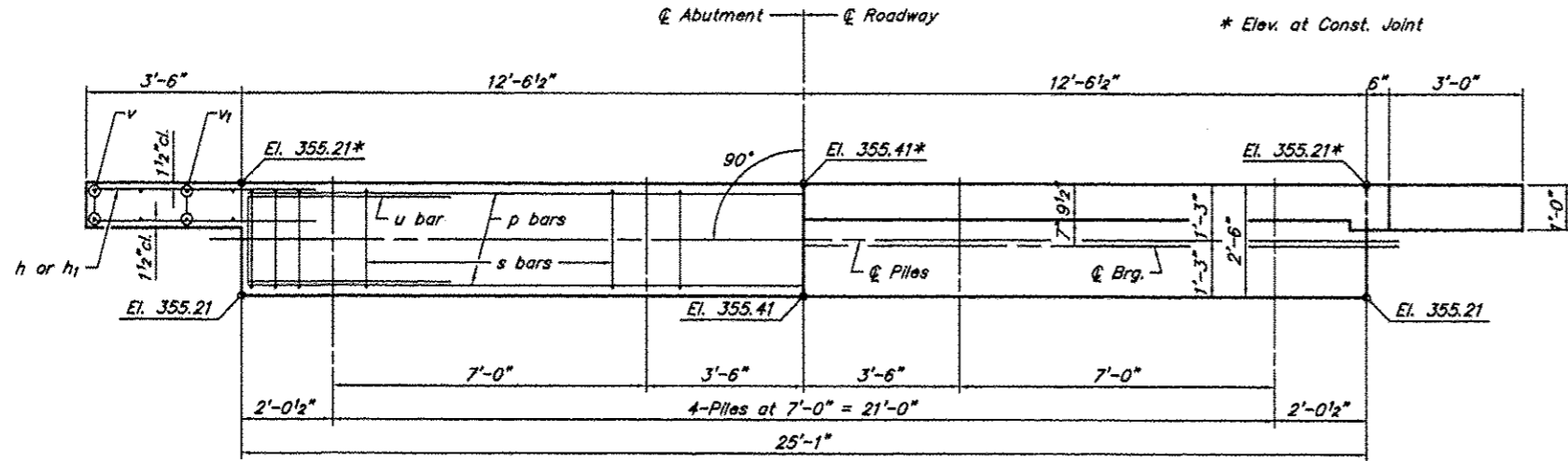
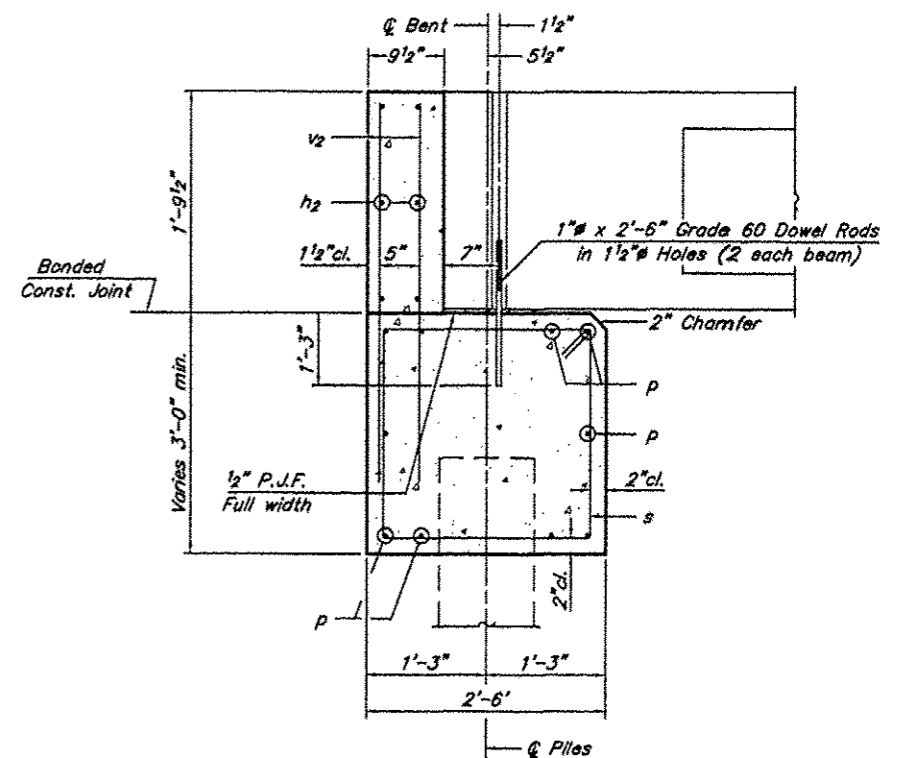


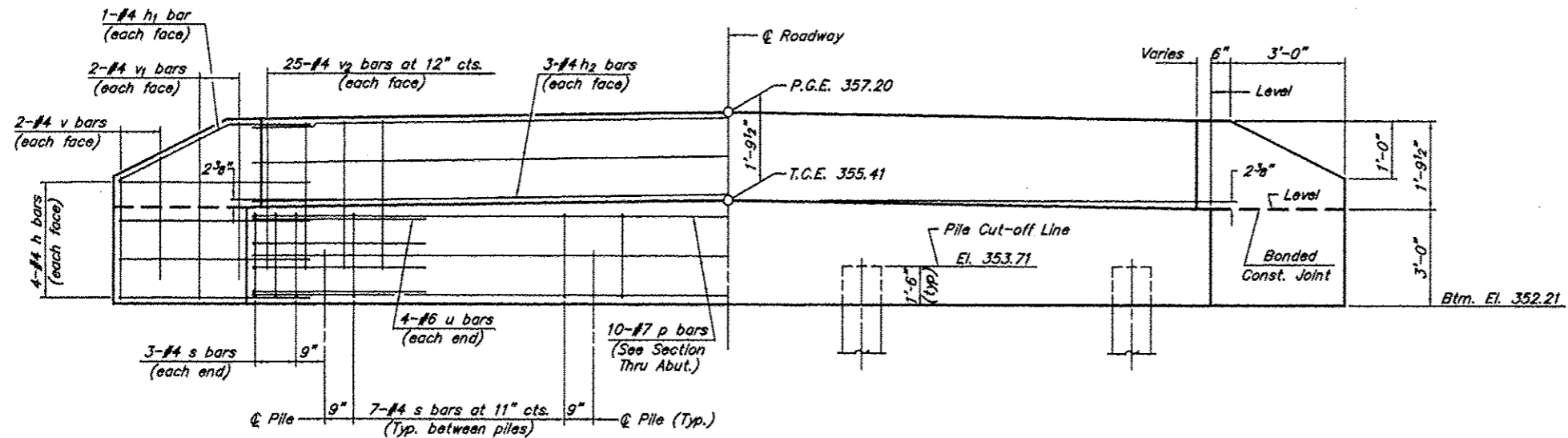
ROUTE	SECTION	COUNTY	TOTAL SHEETS	SHEET NO
TR 239	06-06117-00-BR	SALINE	14	8
PROJECT NO. BROS-185(30)			CONTRACT NO. 99488	



PLAN



SECTION THRU ABUT.  
(At Right Angles)



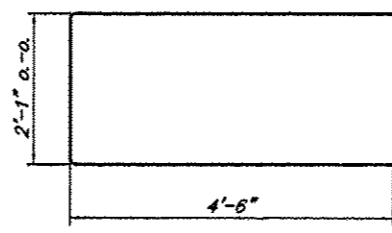
ELEVATION

NOTES

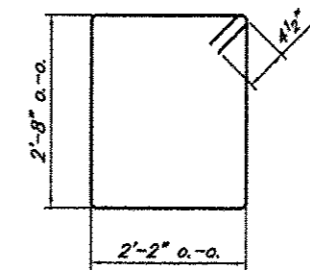
- The Backwall and the portion of the Wingwalls above the bonded construction joint shall be cast against the in-place beam.
- Reinforcement bars shall conform to A.A.S.H.T.O. M-31, M-42 or M-53, Grade 60.

DESIGN STRESSES

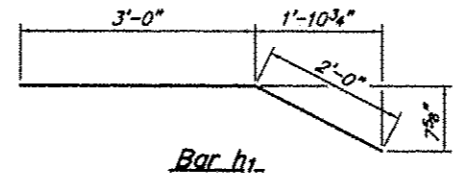
$f'_c = 3,500 \text{ psi}$   
 $f_y = 60,000 \text{ psi}$



Bar u



Bar s



Bar h1

BILL OF MATERIAL FOR ONE ABUTMENT

Bar	No.	Size	Length	Shape
h	16	#4	5'-0"	—
h1	4	#4	5'-0"	—
h2	6	#4	24'-9"	—
p	10	#7	24'-9"	—
s	27	#4	10'-5"	□
u	8	#6	11'-1"	—
v	8	#4	3'-8"	—
v1	8	#4	4'-5"	—
v2	50	#4	3'-5"	—
Concrete Structures			9.7	Cu. Yds.
Reinforcement Bars			1150	Lbs.

ABUTMENT  
TOWNSHIP ROUTE 239 (BRIER CREEK ROAD)  
BRIER CREEK  
SECTION 06-06117-00-BR  
SALINE COUNTY  
STRUCTURE NO. 083-3237