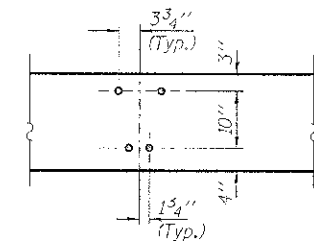
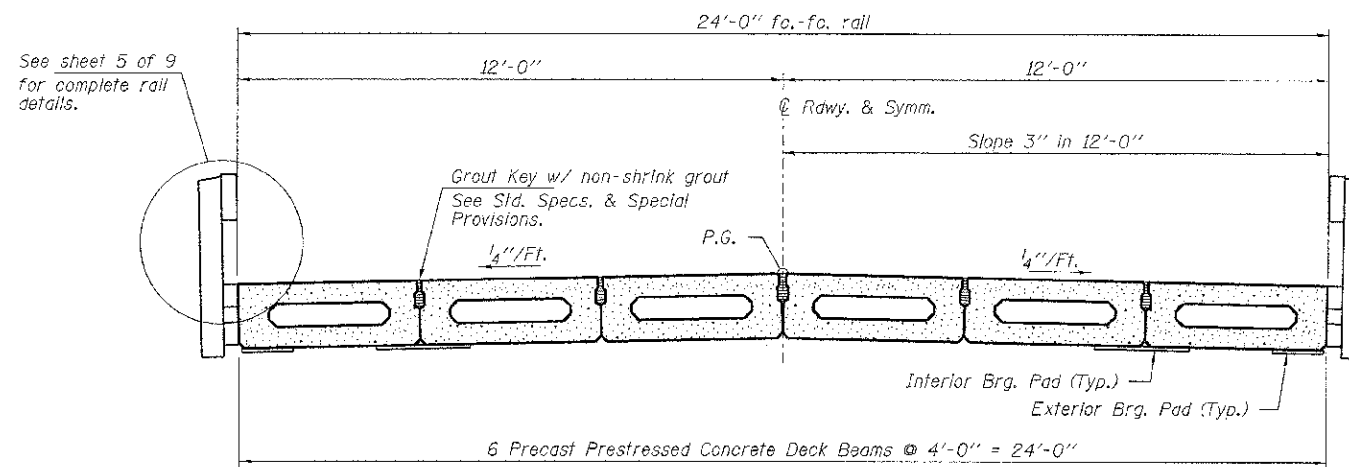


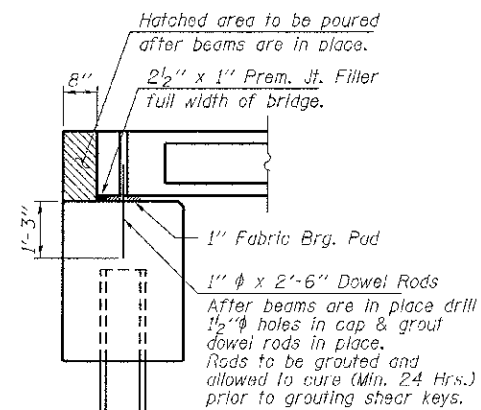
ELEVATION
Showing Rail Post Spaces
See sheet 5 of 9 for Railing Details.



DETAIL A



CROSS SECTION
See sheets 3 & 4 of 9 for Superstructure.



SECTION AT ABUTMENTS
@ Rt. L's

FILE NAME = 120823-ctv-bridge.dgn	USER NAME =	DESIGNED - L.A.P.	REVISED -	STATE OF ILLINOIS UNION COUNTY HIGHWAY DEPARTMENT	SUPERSTRUCTURE DETAILS STRUCTURE NO. 091-3241	T.R.	SECTION	COUNTY	TOTAL SHEET NO.
HAMPTON, LENZINI AND RENWICK, INC.	CHECKED - S.W.M.	REVISED -	239			11-01201-00-BR	UNION	20	15
1843 STEVENSON DRIVE, SUITE 201 SPRINGFIELD, ILLINOIS 62762	DRAWN - R.D.H.	REVISED -	COUNTY UNIT ROAD DISTRICT			CONTRACT NO. 99503			
ILLINOIS PROFESSIONAL DESIGNER - FIRM L.S.J. REG. NO. 0089 184-000899	PLOT SCALE =	CHECKED - S.W.M.	REVISED -			SHEET NO. 4 OF 9 SHEETS			
	PLOT DATE = 3/15/2013					ILLINOIS FED. AID PROJECT BR05-01810581			