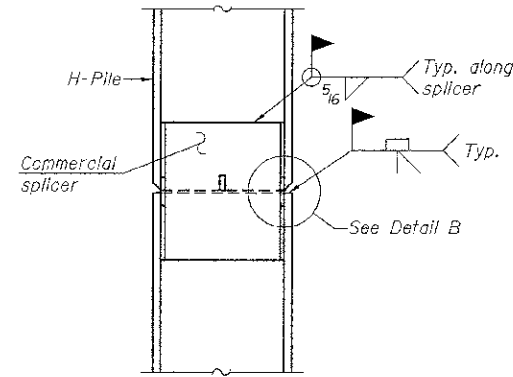
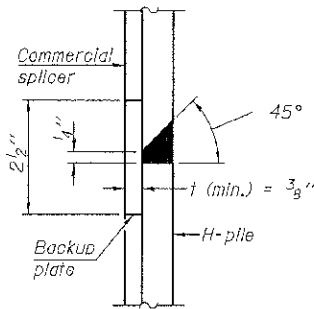


STEEL PILE TABLE

Designation	Depth d	Flange width bf	Web and Flange thickness t	Encasement diameter A
HP 14x117	14 1/4"	14 7/8"	13/16"	30"
x102	14"	14 3/4"	1/16"	30"
x89	13 7/8"	14 3/4"	5/8"	30"
x73	13 5/8"	14 5/8"	1/2"	30"
HP 12x84	12 1/4"	12 1/4"	1/16"	24"
x74	12 1/8"	12 1/4"	5/8"	24"
x63	12"	12 1/8"	1/2"	24"
x53	11 3/4"	12"	7/16"	24"
HP 10x57	10"	10 1/4"	9/16"	24"
x42	9 3/4"	10 1/8"	7/16"	24"
HP 8x36	8"	8 1/8"	7/16"	18"

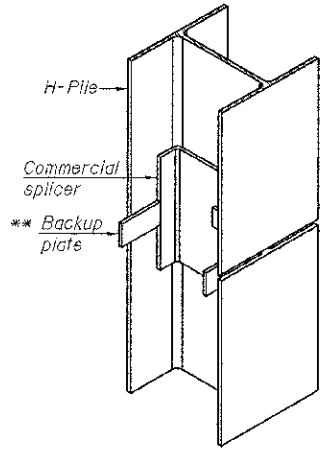


ELEVATION

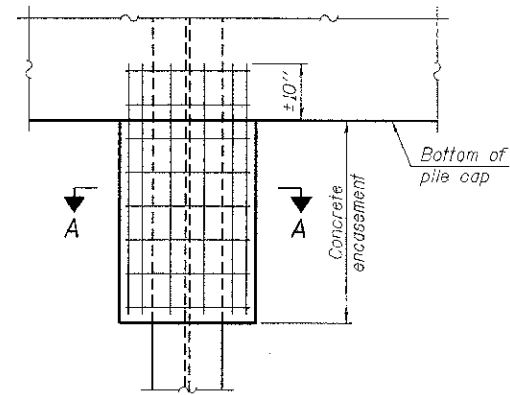


DETAIL "B"

WELDED COMMERCIAL SPLICE

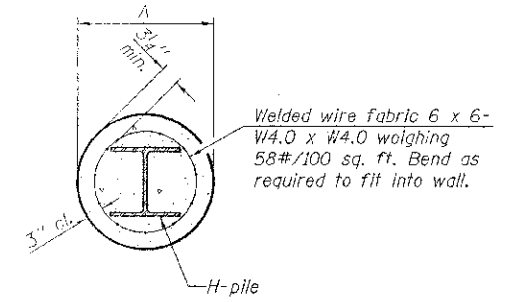


ISOMETRIC VIEW



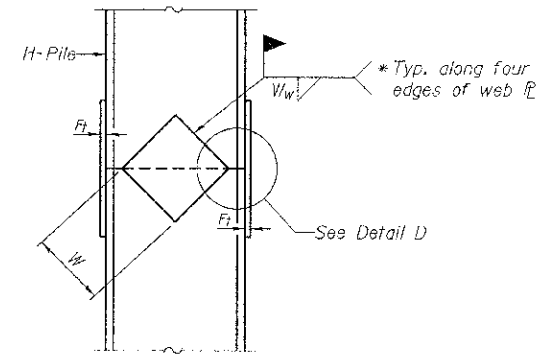
ELEVATION

PILE ENCASEMENT

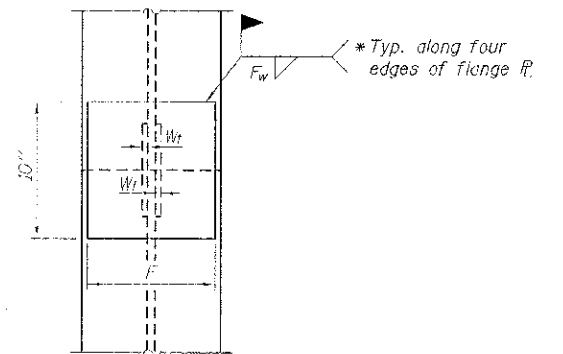


SECTION A-A

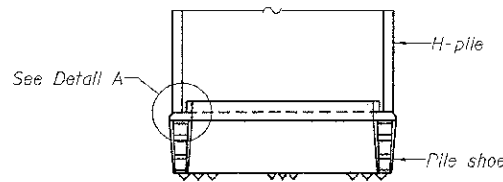
Note:
Forms for encasement may be omitted when soil conditions permit.



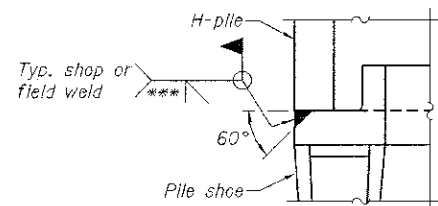
ELEVATION



END VIEW

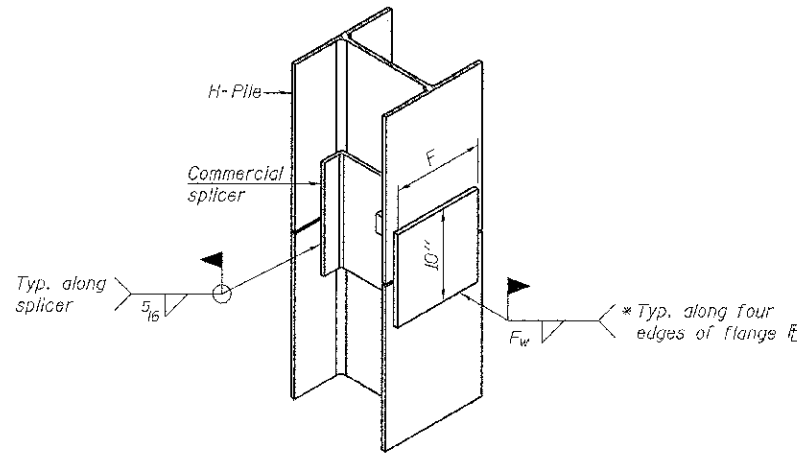


ELEVATION



DETAIL A

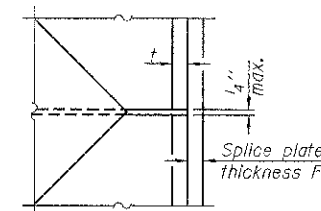
H-PILE SHOE ATTACHMENT



ISOMETRIC VIEW

WELDED COMMERCIAL SPLICE ALTERNATE

- * Interrupt welds 1/4" from end of web and/or each flange.
- ** Remove portions of backup plates that extend outside the flanges.
- *** Weld size per pile shoe manufacturer (5/16" min.).



DETAIL D

WELDED PLATE FIELD SPLICE

Designation	F	Ft	Fw	W	Wt	Ww
HP 14x117	12 1/2"	1"	7/8"	7 3/4"	5 8/8"	1 1/2"
x102	12 1/2"	7/8"	3/4"	7 3/4"	5 8/8"	1 1/2"
x89	12 1/2"	3/4"	1 1/16"	7 3/4"	5 8/8"	1 1/2"
x73	12 1/2"	5/8"	9/16"	7 3/4"	5 8/8"	1 1/2"
HP 12x84	10"	7/8"	1 1/16"	6 1/2"	5 8/8"	1 1/2"
x74	10"	7/8"	1 1/16"	6 1/2"	5 8/8"	1 1/2"
x53	10"	5/8"	1 1/2"	6 1/2"	1 1/2"	3 8/8"
HP 10x57	8"	3/4"	9/16"	5 1/4"	1 1/2"	3 8/8"
x42	8"	5/8"	9/16"	5 1/4"	1 1/2"	3 8/8"
HP 8x36	7"	9/8"	7/16"	4 1/4"	1 1/2"	3 8/8"

Note:
The steel H-piles shall be according to AASHTO #270 Grade 50.

F-HP

1-27-12

FILE NAME - 122135-sho-br-dwg.dgn	USER NAME =	DESIGNED - L.A.P.	REVISED -	STATE OF ILLINOIS JEFFERSON COUNTY HIGHWAY DEPARTMENT	HP PILE DETAILS STRUCTURE NO. 041-3749	SHEET NO. 10 OF 11 SHEETS	T.R.	SECTION	COUNTY	TOTAL SHEETS	SHEET NO.
HAMPTON, LENZINI AND RENWICK, INC. 1500 S. STANLEY ROAD, SUITE 211 SPRINGFIELD, ILLINOIS 62703	PLOT SCALE =	CHECKED - S.W.M.	REVISED -				123	09-07106-00-BR	JEFFERSON	23	22
ILLINOIS PROFESSIONAL DESIGN FIRM 1517 E. 58th ST. CHICAGO, IL 60649	PLOT DATE = 2/14/2213	DRAWN - D.A.B.	REVISED -				FIELD ROAD DISTRICT	CONTRACT NO. 99504			
		CHECKED - S.W.M.	REVISED -				ILLINOIS FED. AID PROJECT BROS-0081062				