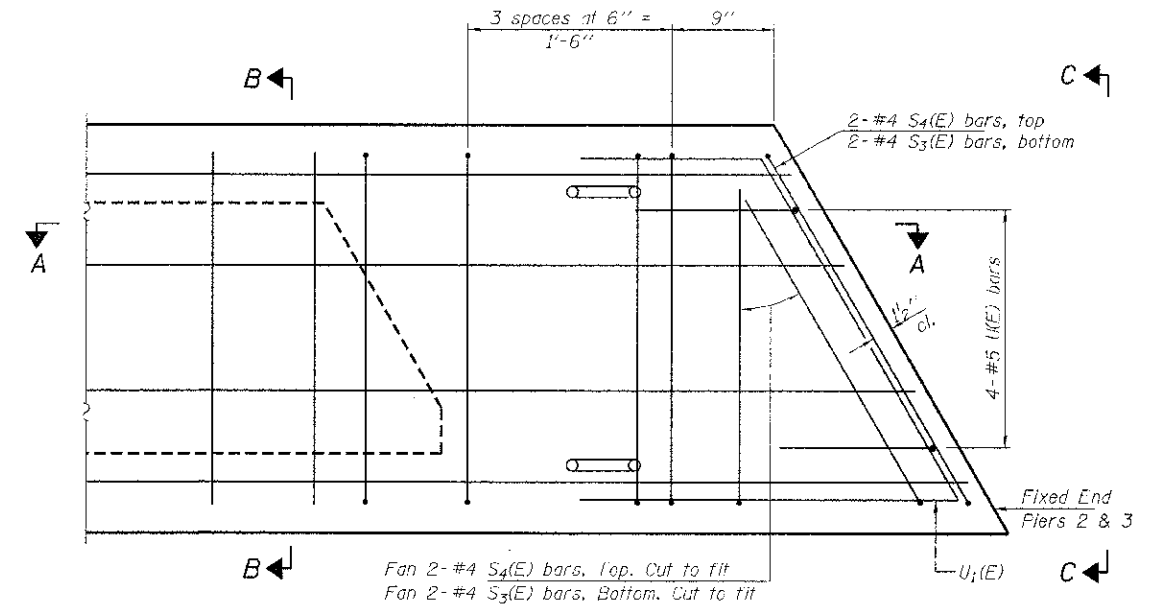


PLAN VIEW



Notes:
 Spacing of S(E) and S₂(E) bars may be adjusted up to 4" in the immediate area of the transverse tie diaphragms to miss the block outs for the transverse ties.
 Bars indicated thus 4x2-#5 etc. indicates 4 lines of bars with 2 lengths per line.
 See sheet 7 of 21 for SECTION A-A, SECTION B-B, VIEW C-C, VIEW D-D & SECTION E-E.

MINIMUM BAR LAP
 #4 bar = 2'-0"
 #5 bar = 2'-6"

BAR LIST
 ONE BEAM ONLY
 (For information only)

Bar	No.	Size	Length	Shape
A(E)	17	#4	2'-7"	—
A ₁ (E)	34	#4	2'-10"	—
B(E)	8	#5	29'-7"	—
B ₁ (E)	9	#4	20'-3"	—
C(E)	5	#5	3'-8"	—
S(E)	76	#4	6'-5"	⌋
S ₁ (E)	8	#4	4'-11"	⌋
S ₂ (E)	68	#4	5'-2"	⌋
S ₃ (E)	4	#4	4'-2"	⌋
S ₄ (E)	4	#4	3'-5"	⌋
S ₅ (E)	4	#4	3'-8"	⌋
S ₆ (E)	4	#4	2'-11"	⌋
U ₁ (E)	4	#5	4'-0"	⌋
U ₂ (E)	3	#5	5'-9"	⌋
U ₃ (E)	4	#5	5'-2"	⌋

Note: See sheets 7 & 8 of 21 for additional details and Bill of Material.