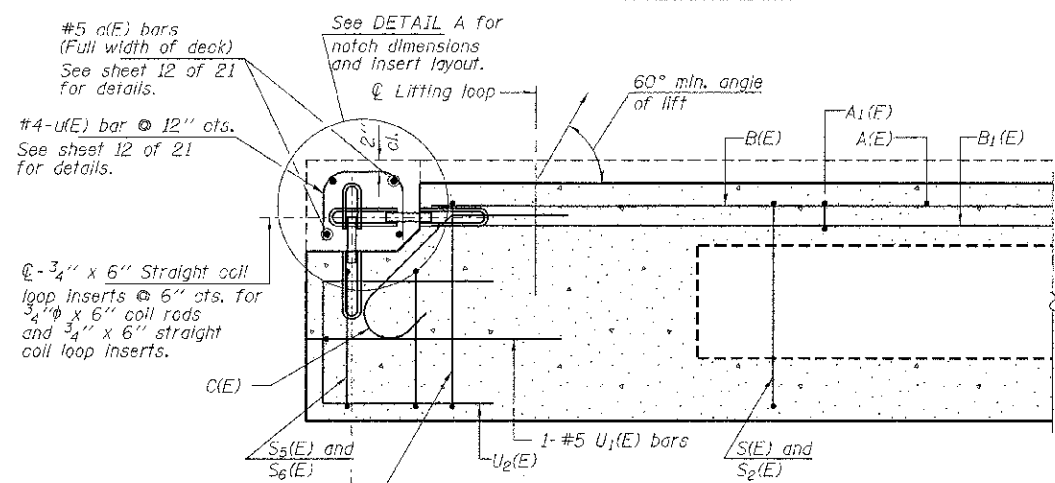
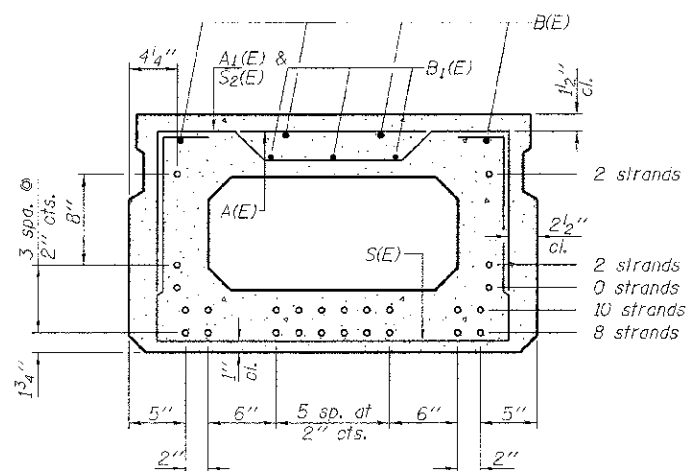


SECTION A-A



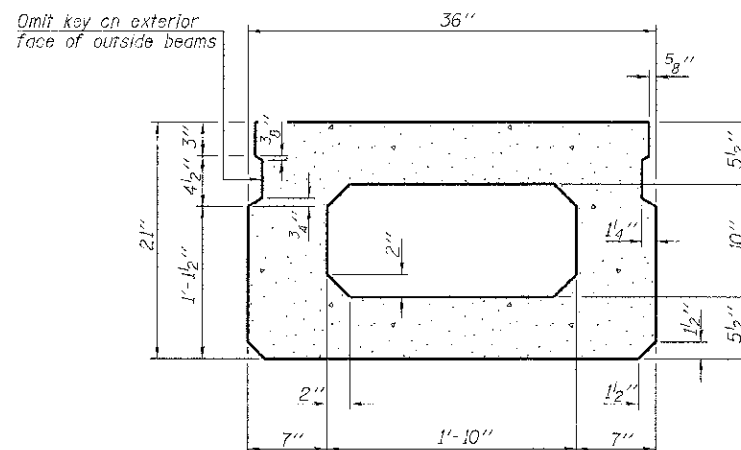
SECTION E-E



SECTION B-B

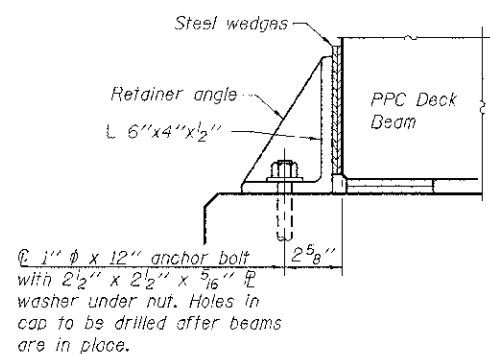
(Showing reinforcement and permissible strand locations)

Note: Place the number of strands specified in each row symmetrically about the centerline of beam in the permissible strand locations shown.



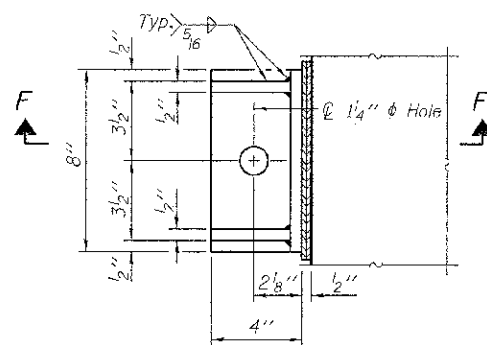
SECTION B-B

(Showing dimensions)



SECTION F-F

Note: 1" φ x 12" anchor bolt with 2 1/2" x 2 1/2" x 5/16" washer under nut. Holes in cap to be drilled after beams are in place.



PLAN

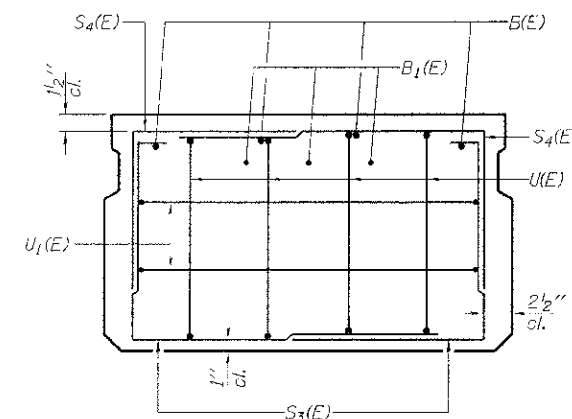
Notes:

Cost of retainer and accessories are included with Precast Prestressed Concrete Deck Beams (21" Depth). Equivalent rolled angle with stiffeners will be allowed in lieu of welded plates.

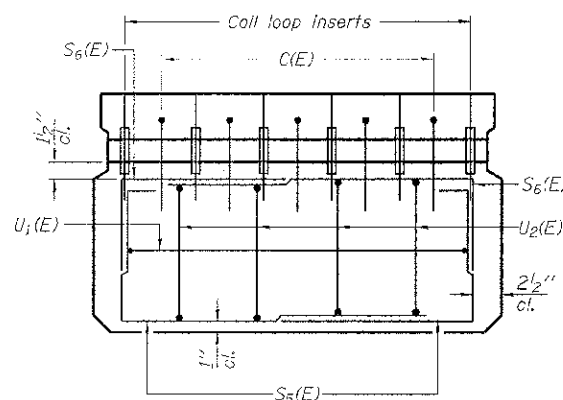
The side retainers shall be galvanized after shop fabrication according to AASHTO M 111 and ASTM 385.

Anchor bolts and plate washers shall be galvanized according to AASHTO M 232.

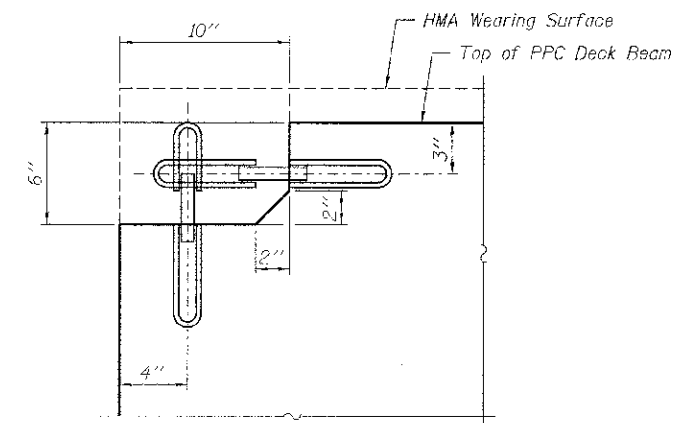
After the notch or concrete overlay are poured and cured, the steel wedges shall be removed.



VIEW C-C



VIEW D-D



DETAIL A

FILE NAME = 120127-ahb-brdgedgn	USER NAME =	DESIGNED - D.W.T.	REVISED -	STATE OF ILLINOIS DEPARTMENT OF TRANSPORTATION	21" x 36" PPC DECK BEAM - SPANS 2 & 4 STRUCTURE NO. 039-3097	C.H.	SECTION	COUNTY	TOTAL SHEETS	SHEET NO.	
HAMPTON, LENZINI AND RENWICK, INC. 550 STEVENSON DRIVE, SUITE 211 SPRING LAKE, ILLINOIS 60153	PLOT SCALE =	CHECKED - S.W.M.	REVISED -			11	06-00145-00-BR	JACKSON	54	40	
ILLINOIS PROFESSIONAL DESIGNER FIRM SE7/PE/SEC/DMP 14400809	PLOT DATE = 4/3/2013	DRAWN - D.A.B.	REVISED -			DILLINGER ROAD CONTRACT NO. 99509					
		CHECKED - S.W.M.	REVISED -			ILLINOIS FED. AID PROJECT					