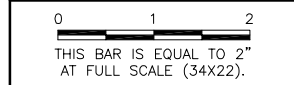


QU017

REVISIONS		
NUMBER	BY	DATE
△	AJB	6/11/13



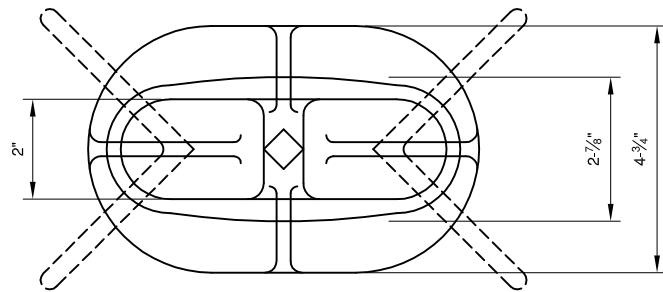
METROPOLITAN AIRPORT AUTHORITY OF ROCK ISLAND
 QUAD CITY INTERNATIONAL AIRPORT
 MOLINE, ILLINOIS

SOUTH GA RAMP EXPANSION - PHASE 1
 MARKING & TIE DOWN DETAILS

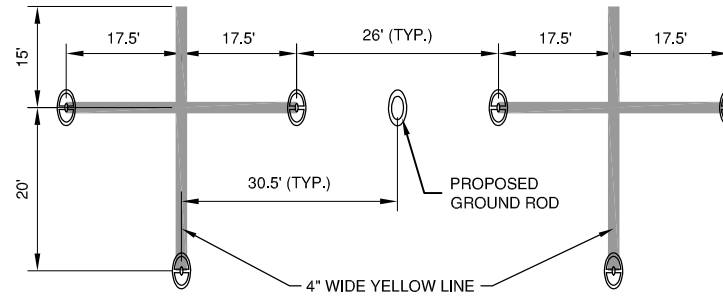
© Copyright CMT, Inc.



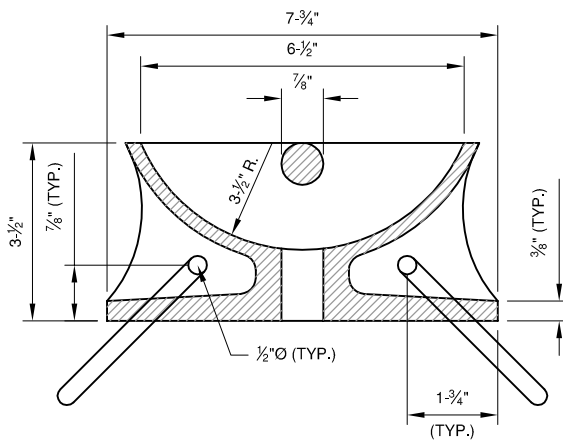
DESIGN BY:	AJB
DRAWN BY:	CMT
CHECKED BY:	CET
APPROVED BY:	CET
DATE:	APRIL 19, 2013
JOB No:	13014-02-00
IL PROJ. NO. MLI-4275	
SHEET 18A OF	22 SHEETS



PLAN



TIE DOWN DETAIL
N.T.S.

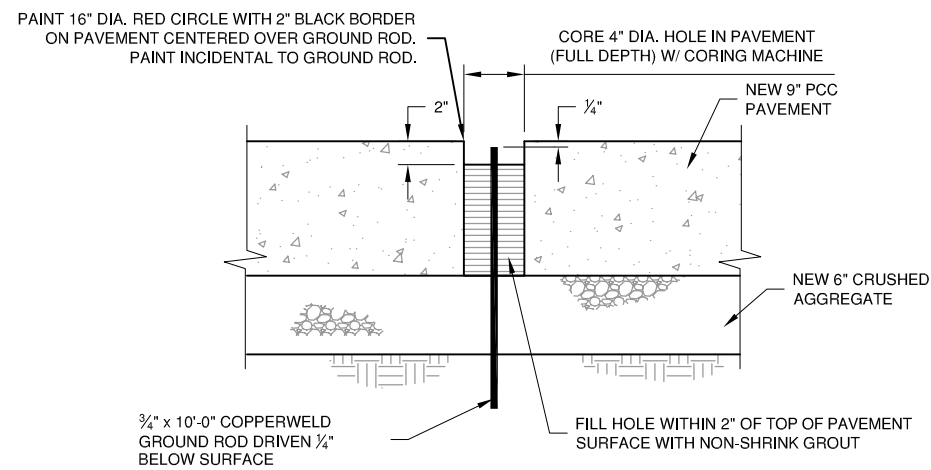


SECTION
MOORING EYE/TIE DOWN DETAIL

N.T.S.

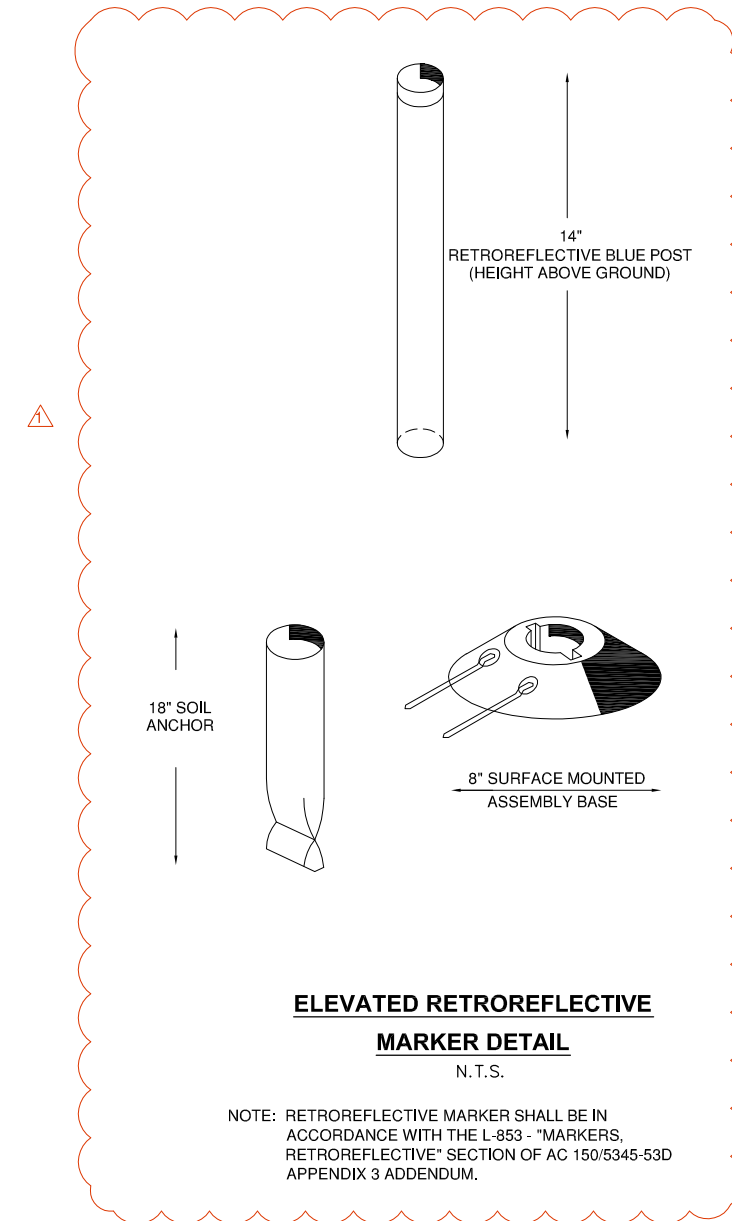
NOTES:

- MOORING CASTINGS SHALL BE NEENAH SEMI-STEEL AIRPORT MOORING EYE CATALOG NO. R3490 OR APPROVED EQUIVALENT.
- ANCHOR RODS SHALL BE #3 DEFORMED REBAR, 15" LONG AND SHALL BE BENT DOWNWARD AT 45°. TWO ANCHOR BARS PER MOORING EYE ARE REQUIRED.
- MOORING EYES SHALL BE INSTALLED DURING THE PAVING OPERATION AND SHALL NOT BE CORED AFTER PAVING.
- THE PLACEMENT OF THE TIE DOWNS SHALL BE AN INTEGRAL PART OF THE PAVING PROCESS. THE CONTRACTOR SHALL IDENTIFY ALL TIE DOWNS AND GROUND RODS THAT FALL WITHIN 2' OF A JOINT PRIOR TO BEGINNING PAVING OPERATIONS.



GROUNDING POINT DETAIL

N.T.S.



ELEVATED RETROREFLECTIVE MARKER DETAIL

N.T.S.

NOTE: RETROREFLECTIVE MARKER SHALL BE IN ACCORDANCE WITH THE L-853 - "MARKERS, RETROREFLECTIVE" SECTION OF AC 150/5345-53D APPENDIX 3 ADDENDUM.