

043

STATE OF ILLINOIS
DEPARTMENT OF TRANSPORTATION

F.A.P. RTE	SECTION	COUNTY	TOTAL SHEETS	SHEET NO.
869	14.5)RS-5	FRANKLIN	26	1
CONTRACT NO. 78698				

FOR INDEX OF SHEETS, SEE SHEET NO. 3
FOR SUMMARY OF QUANTITIES, SEE SHEET NO. 5-8

**PROPOSED
HIGHWAY PLANS**

FAP ROUTE 869 (IL 14)/FAS ROUTE 2826 (IL 14 /37)
SECTION (4,5)RS-5
PROJECT NHPP-STP-API5(348)
3P RESURFACING
FRANKLIN COUNTY

D-99-008-19



TRAFFIC DATA (2017)

LOCATION 1:
ADT = 14600
PV = 13400
SU = 800
MU = 400

LOCATION 1: IL 14 (FAP 869)
COURT ST. TO GLEN ST.
LOCATION 2: IL 14 /37 (FAS 2826)
BOND ST. TO BENTON SQUARE

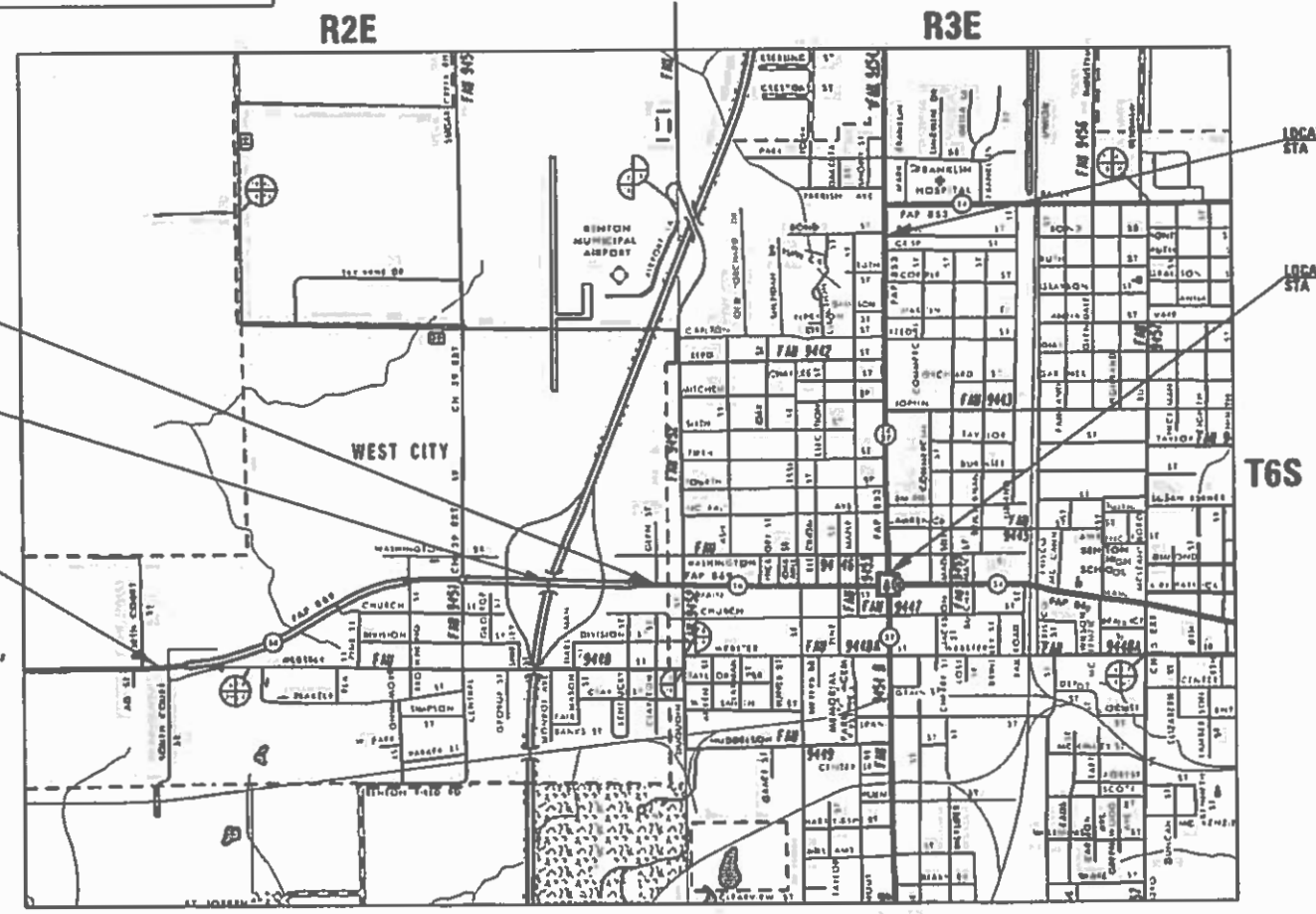
LOCATION 2:
ADT = 9850
PV = 9355
SU = 325
MU = 170

C-99-008-19

TOWNSHIPS

BROWNING
BENTON

LOCATION 1 ENDS
STA 896+50
LIMIT EN 821-8022
STA 894+20 TO 895+35 VWB
STA 894+00 TO 895+27 EB
LOCATION 1 BEGINS
STA 844+50



DESIGN DESIGNATION: N/A
COORDINATE SYSTEM: ILLINOIS COORDINATE SYSTEM,
EAST ZONE
POSTED SPEED: 30, 40, & 50 MPH

J.U.L.I.E.
JOINT UTILITY LOCATION INFORMATION FOR EXCAVATION
1-800-892-0123
OR 811

STATE OF ILLINOIS
DEPARTMENT OF TRANSPORTATION
SUBMITTED 0322-2019
[Signature]
REGION FIVE ENGINEER
May 10 2019
[Signature]
ENGINEER OF DESIGN AND ENVIRONMENT
May 10 2019
[Signature]
DIRECTOR OF HIGHWAYS PROJECT IMPLEMENTATION

PROJECT ENGINEER: SUSAN POE
PROJECT DESIGNER: DYLAN WHITE

GROSS LENGTH = 10185 FT. = 1.93 MILES
NET LENGTH = 9966 FT. = 1.89 MILES

CONTRACT NO. 78698

PRINTED BY THE AUTHORITY
OF THE STATE OF ILLINOIS

MODEL: D:\rout...
 FILE NAME: ...
 ...

Prepared By: Charles Stein
 DISTRICT STUDIES & PLANS ENGINEER

Examined By: Nancy Lee
 DISTRICT LAND ACQUISITION ENGINEER

Examined By: Cassie Nelson
 DISTRICT PROGRAM DEVELOPMENT ENGINEER

Examined By: Kevin Kelly
 DISTRICT OPERATIONS ENGINEER

Examined By: KT
 DISTRICT PROJECT IMPLEMENTATION ENGINEER

Examined By: Douglas J. Kelly
 DISTRICT CONSTRUCTION ENGINEER

Examined By: [Signature]
 DISTRICT MATERIALS ENGINEER

USER NAME = whitede	DESIGNED -	REVISED -
PLOT SCALE = 100.0000' / in.	DRAWN -	REVISED -
PLOT DATE = 3/19/2019	CHECKED -	REVISED -
	DATE -	REVISED -

**STATE OF ILLINOIS
 DEPARTMENT OF TRANSPORTATION**

SIGNATURE SHEET				
SCALE:	SHEET	OF	SHEETS	STA. TO STA.

F.A.P. RTE.	SECTION	COUNTY	TOTAL SHEETS	SHEET NO.
869	4,51RS-5	FRANKLIN	26	2
ILLINOIS FED. AID PROJECT			CONTRACT NO. 78698	

INDEX OF SHEETS

<u>SHEET NO.</u>	<u>DESCRIPTION</u>
1	COVER SHEET
2	SIGNATURE SHEET
3	INDEX OF SHEETS, STANDARDS, STRUCTURES & COMMITMENTS
4	GENERAL NOTES & MIX DESIGN
5 - 8	SUMMARY OF QUANTITIES
9 - 14	TYPICAL SECTIONS
15 - 21	SCHEDULES
22	I-57 RAMP RESURFACING LIMITS
23	GEOPAK ELEMENTS IDENTIFICATION
24	WASHINGTON STREET INTERSECTION SIDEWALK DETAILS
25	DETAILS: UNEVEN LANES; ROUGH GROOVED SURFACE; PEDESTRIAN CROSSING PAVEMENT MARKING
26	DETAILS: TEMPORARY HOT-MIX ASPHALT TRANSITIONS

STANDARDS

000001-07	STANDARD SYMBOLS, ABBREVIATIONS, AND PATTERNS
001006	DECIMAL OF AN INCH AND OF A FOOT
424021-05	DEPRESSED CORNER FOR SIDEWALKS
442201-03	CLASS C AND D PATCHES
606001-07	CONCRETE CURB TYPE B AND COMBINATION CONCRETE CURB AND GUTTER
701001-02	OFF-ROAD OPERATIONS, 2L, 2W, MORE THAN 15' AWAY
701006-05	OFF-ROAD OPERATIONS, 2L, 2W, 15' TO 24" FROM PAVEMENT EDGE
701301-04	LANE CLOSURE, 2L, 2W, SHORT TIME OPERATIONS
701306-04	LANE CLOSURE, 2L, 2W, SLOW MOVING OPERATIONS DAY ONLY, FOR SPEEDS > 45 MPH
701311-03	LANE CLOSURE, 2L, 2W, MOVING OPERATIONS DAY ONLY
701336-07	LANE CLOSURE, 2L, 2W, WORK AREAS IN SERIES, FOR SPEEDS > 45 MPH
701426-09	LANE CLOSURE, MULTILANE, INTERMITTENT OR MOVING OPERATIONS, FOR SPEEDS > 45 MPH
701427-05	LANE CLOSURE, MULTILANE, INTERMITTENT OR MOVING OPERATIONS, FOR SPEEDS < 40 MPH
701502-09	URBAN LANE CLOSURE, 2L, 2W, WITH BIDIRECTIONAL LEFT TURN LANE
701601-09	URBAN LANE CLOSURE, MULTILANE, 1W OR 2W WITH NONTRAVERSABLE MEDIAN
701701-10	URBAN LANE CLOSURE, MULTILANE INTERSECTION
701801-06	SIDEWALK, CORNER OR CROSSWALK CLOSURE
701901-08	TRAFFIC CONTROL DEVICES
780001-05	TYPICAL PAVEMENT MARKINGS
781001-04	TYPICAL APPLICATIONS RAISED REFLECTIVE PAVEMENT MARKERS
886001-01	DETECTOR LOOP INSTALLATIONS
886006-01	TYPICAL LAYOUTS FOR DETECTION LOOPS

MTD CROSSING RESTRICTIONS TABLE

SN & CENTERLINE STATION ROUTE 14	EXISTING FILL HEIGHT OVER BOX CULVERT	THICKNESS OF EXISTING PAVEMENT OVER BOX CULVERT	MTD CROSSING RESTRICTIONS
	FOOT	INCH	
SN 028-0022 (STA 895+24)			EMPTY
SN 028-7048 (STA 862+14)	7.5'	12.75"	NONE

COMMITMENTS

NONE

MODEL: Default
 FILE: h:\mfc_2019\pub\harcourt\illinois.gov\PWIDOT\Documents\DOT_Offices\Dir\ctc_9\Project\78698\CADD\Drawings\DOT_78698-Sheets.dgn

USER NAME = greenleesm	DESIGNED -	REVISED -	STATE OF ILLINOIS DEPARTMENT OF TRANSPORTATION	INDEX OF SHEETS, STANDARDS, STRUCTURES & COMMITMENTS			F.A.P. RTE.	SECTION	COUNTY	TOTAL SHEETS	SHEET NO.
PLOT SCALE = 100,0000' / in.	DRAWN -	REVISED -					869	(4,5)RS-5	FRANKLIN	26	3
PLOT DATE = 3/25/2019	CHECKED -	REVISED -		CONTRACT NO. 78698							
	DATE -	REVISED -		SCALE:	SHEET	OF	SHEETS	STA.	TO	STA.	ILLINOIS

SUMMARY OF QUANTITIES

COUNTY:	FRANKLIN	FRANKLIN
ROUTE:	FAP 869 (IL 14)	FAS 2826 (IL 14 / 37)
FUNDING:	80% FED / 20% STATE	80% FED / 20% STATE
LOCATION:	URBAN, LOCATION 1	URBAN, LOCATION 2
TOTAL QUANTITY	ROADWAY	ROADWAY
	0005	0005

CODE NUMBER	ITEM DESCRIPTION	UNIT	TOTAL QUANTITY	FRANKLIN	FRANKLIN
40600290	BITUMINOUS MATERIALS (TACK COAT)	POUND	39,774	29,041	10,733
40600847	POLYMERIZED LEVELING BINDER (MACHINE METHOD), IL-9.5FG, N90	TON	3,003	2,112	891
40600990	TEMPORARY RAMP	SQ YD	366	208	158
40603545	POLYMERIZED HOT-MIX ASPHALT SURFACE COURSE, MIX "D", N90	TON	4,504	3,168	1,336
42001300	PROTECTIVE COAT	SQ YD	22		22
42300400	PORTLAND CEMENT CONCRETE DRIVEWAY PAVEMENT, 8 INCH	SQ YD	11		11
42400200	PORTLAND CEMENT CONCRETE SIDEWALK 5 INCH	SQ FT	74		74
42400800	DETECTABLE WARNINGS	SQ FT	23		23
44000100	PAVEMENT REMOVAL	SQ YD	12		12
44000155	HOT-MIX ASPHALT SURFACE REMOVAL, 1 1/2"	SQ YD	7,963	7,963	
44000159	HOT-MIX ASPHALT SURFACE REMOVAL, 2 1/2"	SQ YD	53,612	37,712	15,900
44000600	SIDEWALK REMOVAL	SQ FT	88		88

MODEL: C:\p1\...
 FILE: NAME: ...
 ...

REV. - MS

USER NAME = greenleesm DESIGNED - DRAWN - PLOT SCALE = 100.0000' / in. CHECKED - PLOT DATE = 3/25/2019 DATE -	REVISED - REVISED - REVISED - REVISED -	STATE OF ILLINOIS DEPARTMENT OF TRANSPORTATION	SUMMARY OF QUANTITIES	F.A.P. RTE. 869 SECTION (4,5)RS-5 COUNTY FRANKLIN TOTAL SHEETS 26 SHEET NO. 5	CONTRACT NO. 78698 ILLINOIS FED. AID PROJECT
SCALE: SHEET OF SHEETS STA. TO STA.					

SUMMARY OF QUANTITIES - CONT

COUNTY:	FRANKLIN	FRANKLIN
ROUTE:	FAP 869 (IL 14)	FAS 2826 (IL 14 / 37)
FUNDING:	80% FED / 20% STATE	80% FED / 20% STATE
LOCATION:	URBAN, LOCATION 1	URBAN, LOCATION 2
TOTAL QUANTITY	ROADWAY	ROADWAY
	0005	0005

CODE NUMBER	ITEM DESCRIPTION	UNIT	TOTAL QUANTITY	ROADWAY	ROADWAY
				0005	0005
44200156	PAVEMENT PATCHING, TYPE II, 13 INCH	SO YD	286	177	109
44200160	PAVEMENT PATCHING, TYPE III, 13 INCH	SO YD	363	168	195
44200162	PAVEMENT PATCHING, TYPE IV, 13 INCH	SO YD	299		299
44213204	TIE BARS 3/4"	EACH	10		10
48203100	HOT-MIX ASPHALT SHOULDERS	TON	669	669	
60603800	COMBINATION CONCRETE CURB AND GUTTER, TYPE B-6.12	FOOT	14		14
67000400	ENGINEER'S FIELD OFFICE, TYPE A	CAL MO	5	5	
67100100	MOBILIZATION	L SUM	1	1	
70100460	TRAFFIC CONTROL AND PROTECTION, STANDARD 701306	L SUM	1	1	
70100600	TRAFFIC CONTROL AND PROTECTION, STANDARD 701336	L SUM	1	1	
70102622	TRAFFIC CONTROL AND PROTECTION, STANDARD 701502	L SUM	1		1
70102630	TRAFFIC CONTROL AND PROTECTION, STANDARD 701601	L SUM	1	1	
70102635	TRAFFIC CONTROL AND PROTECTION, STANDARD 701701	L SUM	1	1	

MODEL: Default
 FILE: \\ms016-pub\harcam\dot\illinois\proj\78698\DOT\Documents\DOT_Office\Drawings\Projects\78698\CADD\CADD\Sheets\0778698-Sheets.dgn

USER NAME = whitee	DESIGNED -	REVISED -
	DRAWN -	REVISED -
PLOT SCALE = 100.0000' / in.	CHECKED -	REVISED -
PLOT DATE = 3/25/2019	DATE -	REVISED -

**STATE OF ILLINOIS
DEPARTMENT OF TRANSPORTATION**

SUMMARY OF QUANTITIES

SCALE: SHEET OF SHEETS STA. TO STA.

F.A.P. RTE.	SECTION	COUNTY	TOTAL SHEETS	SHEET NO.
869	(4,5)RS-5	FRANKLIN	26	6
CONTRACT NO. 78698				
ILLINOIS FED. AID PROJECT				

SUMMARY OF QUANTITIES - CONT

COUNTY:	FRANKLIN	FRANKLIN
ROUTE:	FAP 869 (IL 14)	FAS 2826 (IL 14 / 37)
FUNDING:	80% FED / 20% STATE	80% FED / 20% STATE
LOCATION:	URBAN, LOCATION 1	URBAN, LOCATION 2
TOTAL QUANTITY	ROADWAY	ROADWAY
	0005	0005

CODE NUMBER	ITEM DESCRIPTION	UNIT	TOTAL QUANTITY	FRANKLIN ROADWAY 0005	FRANKLIN ROADWAY 0005
70102640	TRAFFIC CONTROL AND PROTECTION, STANDARD 701801	L SUM	1		1
70107025	CHANGEABLE MESSAGE SIGN	CAL DA	84	56	28
70300100	SHORT TERM PAVEMENT MARKING	FOOT	15,592	10,084	5,508
70300150	SHORT TERM PAVEMENT MARKING REMOVAL	SQ FT	5,198	3,362	1,836
70300210	TEMPORARY PAVEMENT MARKING LETTERS AND SYMBOLS	SQ FT	456	206	250
70300220	TEMPORARY PAVEMENT MARKING - LINE 4"	FOOT	37,981	27,923	10,058
70300260	TEMPORARY PAVEMENT MARKING - LINE 12"	FOOT	807	716	91
70300280	TEMPORARY PAVEMENT MARKING - LINE 24"	FOOT	324	324	
* 78000100	THERMOPLASTIC PAVEMENT MARKING - LETTERS AND SYMBOLS	SQ FT	456	206	250
* 78000200	THERMOPLASTIC PAVEMENT MARKING - LINE 4"	FOOT	37,981	27,923	10,058
* 78000600	THERMOPLASTIC PAVEMENT MARKING - LINE 12"	FOOT	807	716	91
* 78000650	THERMOPLASTIC PAVEMENT MARKING - LINE 24"	FOOT	324	324	
* 78100100	RAISED REFLECTIVE PAVEMENT MARKER	EACH	443	243	200

* SPECIALTY ITEM

MODEL: Default
 FILE: I:\MSA\Projects\78698\CADD\Drawings\DOT\Office\Drawings\78698\CADD\Drawings\DOT\78698-Sheets.dgn

USER NAME = whitee	DESIGNED -	REVISED -
	DRAWN -	REVISED -
PLOT SCALE = 100.0000 ' / in.	CHECKED -	REVISED -
PLOT DATE = 3/25/2019	DATE -	REVISED -

**STATE OF ILLINOIS
DEPARTMENT OF TRANSPORTATION**

SUMMARY OF QUANTITIES

SCALE: SHEET OF SHEETS STA. TO STA.

F.A.P. RTE.	SECTION	COUNTY	TOTAL SHEETS	SHEET NO.
869	(4,5)RS-5	FRANKLIN	26	7
CONTRACT NO. 78698				
ILLINOIS FED. AID PROJECT				

SUMMARY OF QUANTITIES - CONT

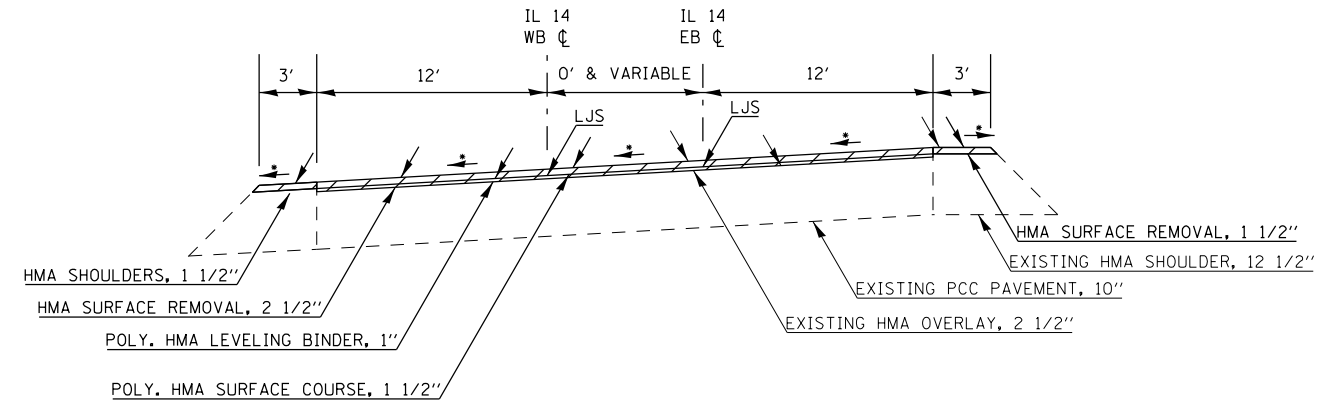
COUNTY:	FRANKLIN	FRANKLIN
ROUTE:	FAP 869 (IL 14)	FAS 2826 (IL 14 / 37)
FUNDING:	80% FED / 20% STATE	80% FED / 20% STATE
LOCATION:	URBAN, LOCATION 1	URBAN, LOCATION 2
TOTAL QUANTITY	ROADWAY	ROADWAY
	0005	0005

CODE NUMBER	ITEM DESCRIPTION	UNIT	TOTAL QUANTITY	ROADWAY	ROADWAY
78300200	RAISED REFLECTIVE PAVEMENT MARKER REMOVAL	EACH	443	243	200
* 88600100	DETECTOR LOOP, TYPE I	FOOT	1,413	1,413	
X7030005	TEMPORARY PAVEMENT MARKING REMOVAL	SO FT	14,571	10,878	3,693
Z0033700	LONGITUDINAL JOINT SEALANT	FOOT	24,570	16,620	7,950
Z0034105	MATERIAL TRANSFER DEVICE	TON	7,507	5,280	2,227

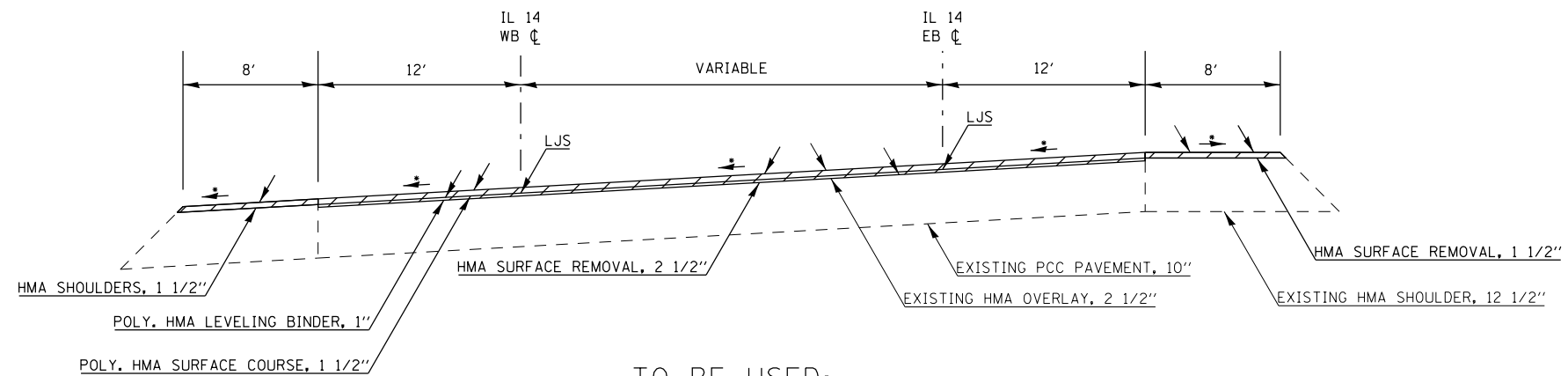
* SPECIALTY ITEM

MODEL: Default
 FILE: \\mats-pc\pub\lanscom.dwg
 I:\Projects\78698\CADD\Drawings\DOT\Office\Drawings\78698\CADD\Drawings\DOT\78698-Sheets.dwg

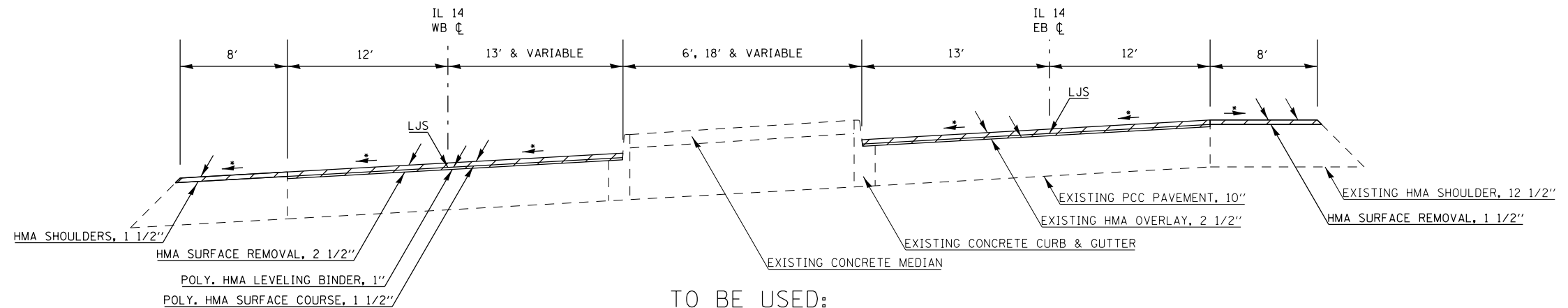
TYPICAL SECTIONS



TO BE USED:
STA. 844+50 TO 847+05



TO BE USED:
STA. 847+05 TO 855+65



TO BE USED:
STA. 855+65 TO 863+79

* - MATCH EXISTING SLOPE

LJS - LONGITUDINAL JOINT SEALANT

MODEL: Default
FILE: h:\m\c\p\pub\haronom.dwg
PROJECT: 78698\DOT\Documents\DOT_Offices\11\dot\9\Project\78698\CADD\data\CAD\Sheets\07 78698-Sheets.dwg

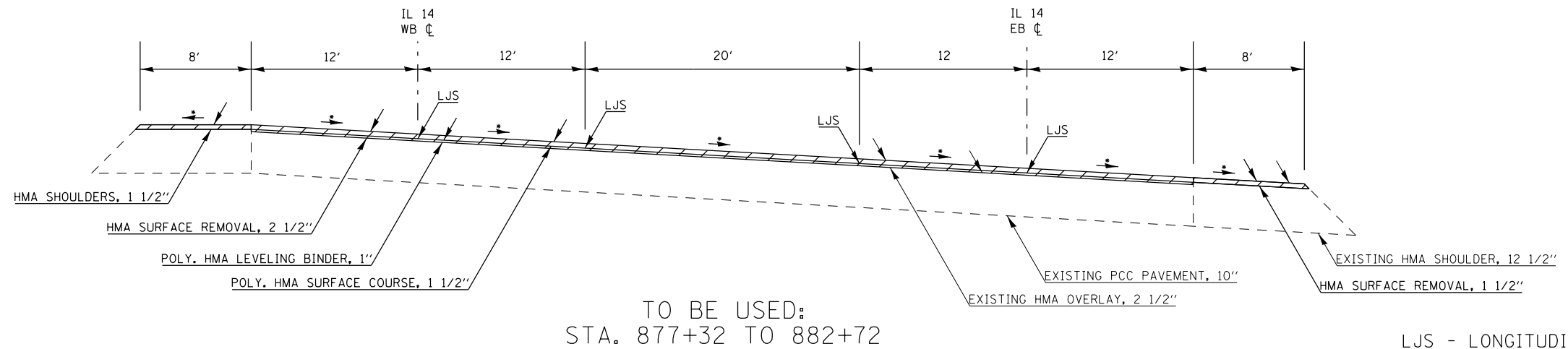
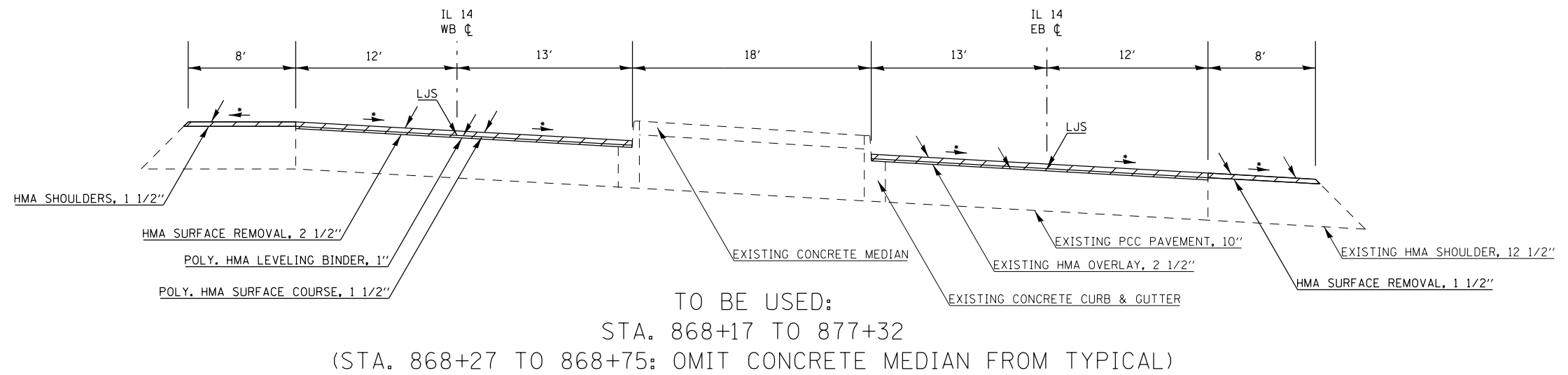
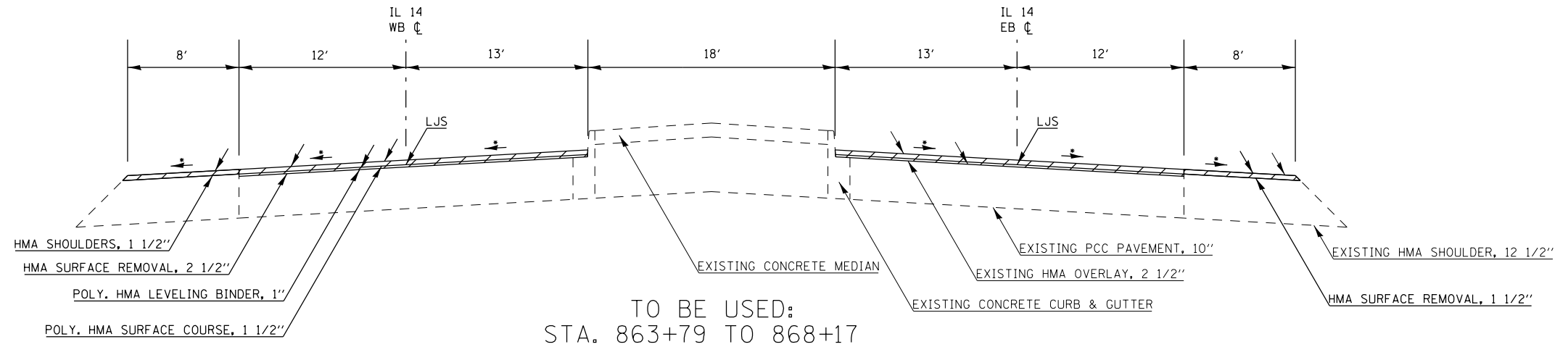
USER NAME = greenleesm	DESIGNED -	REVISED -
PLOT SCALE = 100,0000' / in.	DRAWN -	REVISED -
PLOT DATE = 3/25/2019	CHECKED -	REVISED -
	DATE -	REVISED -

STATE OF ILLINOIS
DEPARTMENT OF TRANSPORTATION

TYPICAL SECTIONS			
SCALE:	SHEET	OF SHEETS	STA. TO STA.

F.A.P. RTE.	SECTION	COUNTY	TOTAL SHEETS	SHEET NO.
869	(4.5)RS-5	FRANKLIN	26	9
CONTRACT NO. 78698				
ILLINOIS FED. AID PROJECT				

TYPICAL SECTIONS



* - MATCH EXISTING SLOPE

LJS - LONGITUDINAL JOINT SEALANT

MODEL: Default
 FILE: Model: Project\78698\CADD\Drawings\DOT\Office\Drawings\9\Project\78698\CADD\Drawings\DOT\78698-Sheets.dgn

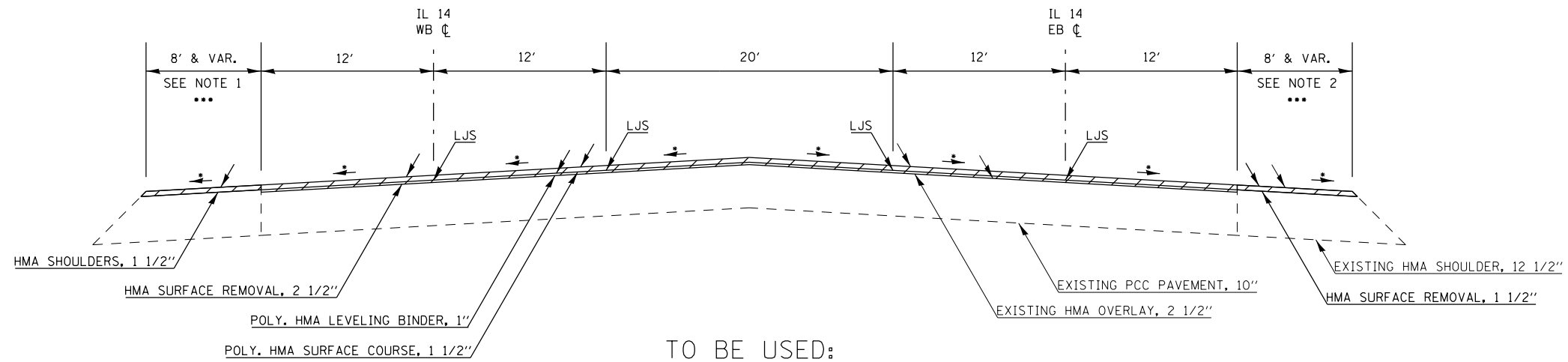
USER NAME = greenleesm	DESIGNED -	REVISED -
PLOT SCALE = 100.0000' / in.	DRAWN -	REVISED -
PLOT DATE = 3/25/2019	CHECKED -	REVISED -
	DATE -	REVISED -

**STATE OF ILLINOIS
DEPARTMENT OF TRANSPORTATION**

TYPICAL SECTIONS		F.A.P. RTE.	SECTION	COUNTY	TOTAL SHEETS	SHEET NO.
		869	(4.5)RS-5	FRANKLIN	26	10
SCALE:	SHEET OF SHEETS	STA.	TO STA.	ILLINOIS FED. AID PROJECT		

F.A.P. RTE.	SECTION	COUNTY	TOTAL SHEETS	SHEET NO.
869	(4.5)RS-5	FRANKLIN	26	10
CONTRACT NO. 78698				

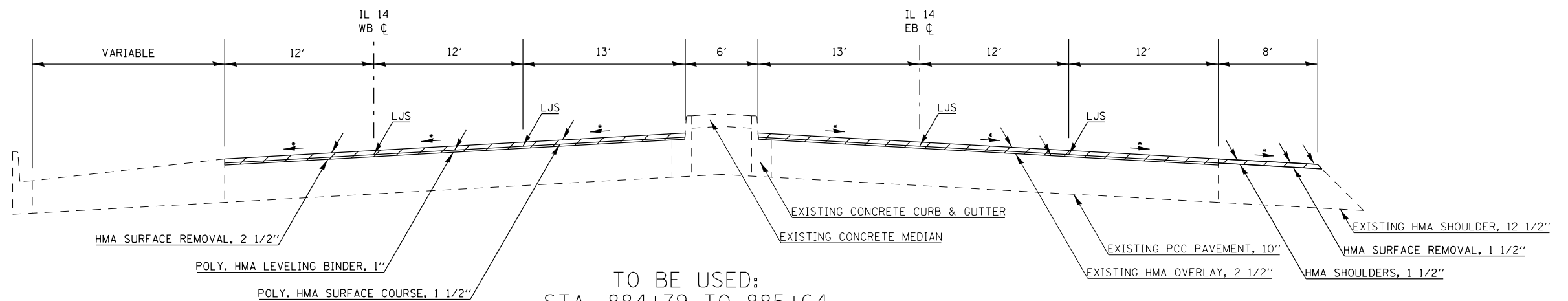
TYPICAL SECTIONS



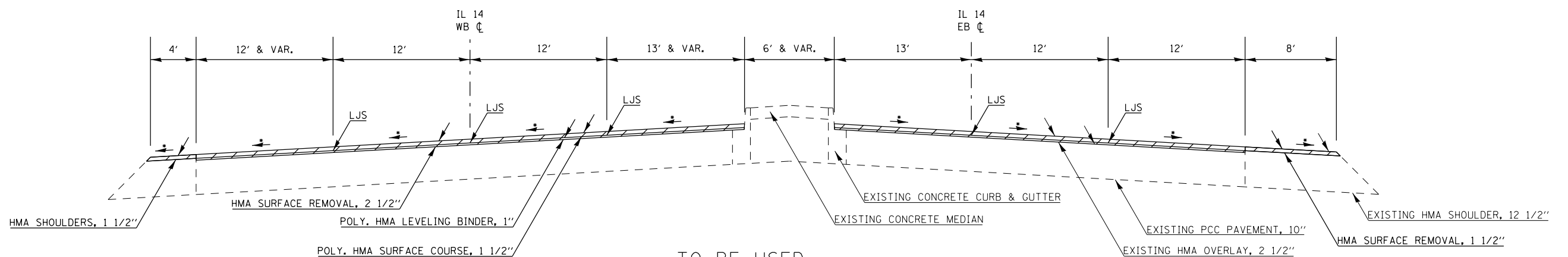
TO BE USED:
STA. 882+72 TO 884+79

NOTE 1:
NORTH CENTRAL ST. TIE-IN
883+15 TO 884+79: 6' WIDTH
HMA SURFACE REMOVAL 2 1/2"
POLY. HMA LEVEL. BINDER 1"
POLY. HMA SURF. COURSE 1 1/2"

NOTE 2:
SOUTH CENTRAL ST. TIE-IN
883+57 TO 884+79: 8' TO 12' WIDTH
883+77 TO 884+79: 12' WIDTH
HMA SURFACE REMOVAL 2 1/2"
POLY. HMA LEVEL. BINDER 1"
POLY. HMA SURF. COURSE 1 1/2"



TO BE USED:
STA. 884+79 TO 885+64



TO BE USED:
STA. 885+64 TO 888+26

* - MATCH EXISTING SLOPE

LJS - LONGITUDINAL JOINT SEALANT

MODEL: Default
FILE: \\hpc\p\pub\hpcroom\dat\illinois\p\p\DOT\Documents\DOT - Offices\District 9\Projects\78698\CADD\Drawings\978698-Sheets.dgn

USER NAME = greenleesm	DESIGNED -	REVISED -
	DRAWN -	REVISED -
PLOT SCALE = 100.0000' / in.	CHECKED -	REVISED -
PLOT DATE = 3/25/2019	DATE -	REVISED -

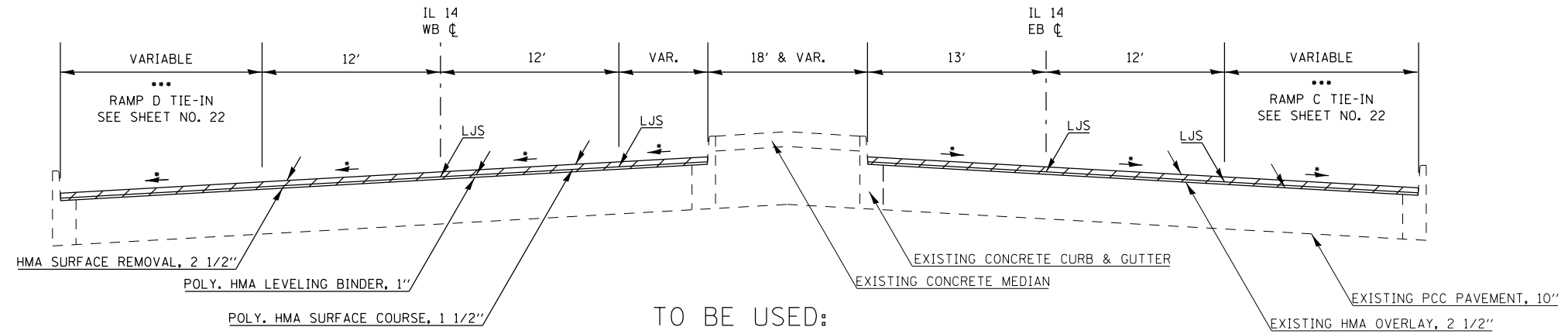
STATE OF ILLINOIS
DEPARTMENT OF TRANSPORTATION

TYPICAL SECTIONS

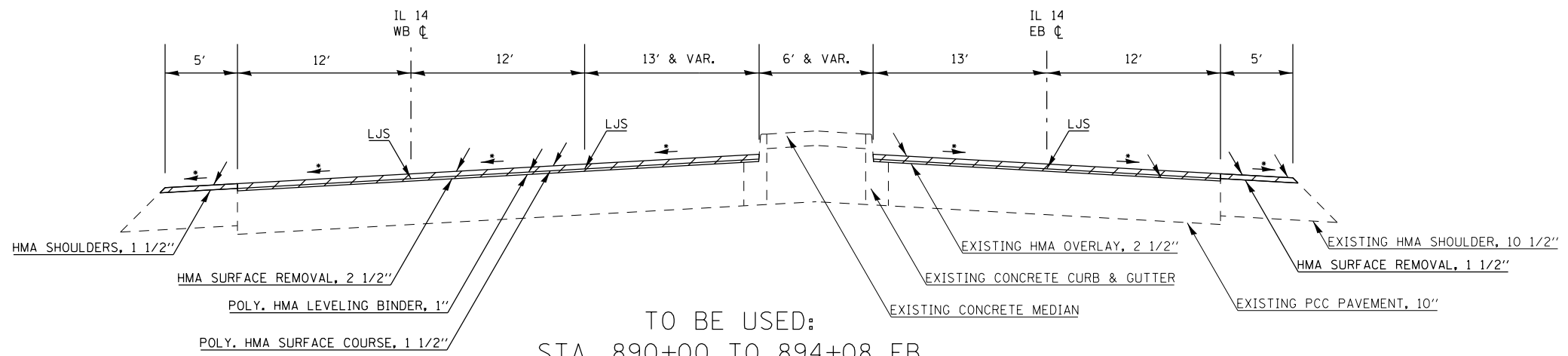
SCALE: SHEET OF SHEETS STA. TO STA.

F.A.P. RTE.	SECTION	COUNTY	TOTAL SHEETS	SHEET NO.
869	(4.5)RS-5	FRANKLIN	26	11
CONTRACT NO. 78698				
ILLINOIS FED. AID PROJECT				

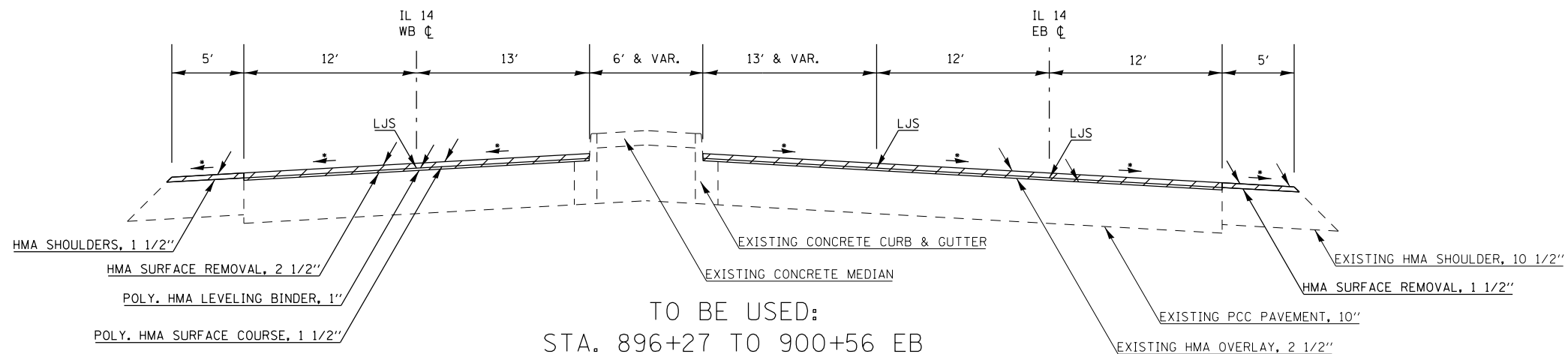
TYPICAL SECTIONS



TO BE USED:
 STA. 888+26 TO 890+00
 (STA. 889+34 TO 890+00: OMIT CONCRETE MEDIAN FROM TYPICAL)



TO BE USED:
 STA. 890+00 TO 894+08 EB
 STA. 890+00 TO 894+20 WB



TO BE USED:
 STA. 896+27 TO 900+56 EB
 STA. 896+39 TO 900+56 WB

NOTE 3:
 GAP STRUCTURE NO. 028-0022
 STA 894+20 TO 896+39 WB
 STA 894+08 TO 896+27 EB

* - MATCH EXISTING SLOPE

LJS - LONGITUDINAL JOINT SEALANT

MODEL: Default
 FILE: Model: 20190325_10:00:00:RWDOT\Documents\DOT - Offices\District 9\Projects\78698\CADD\Drawings\78698-Sheets.dgn

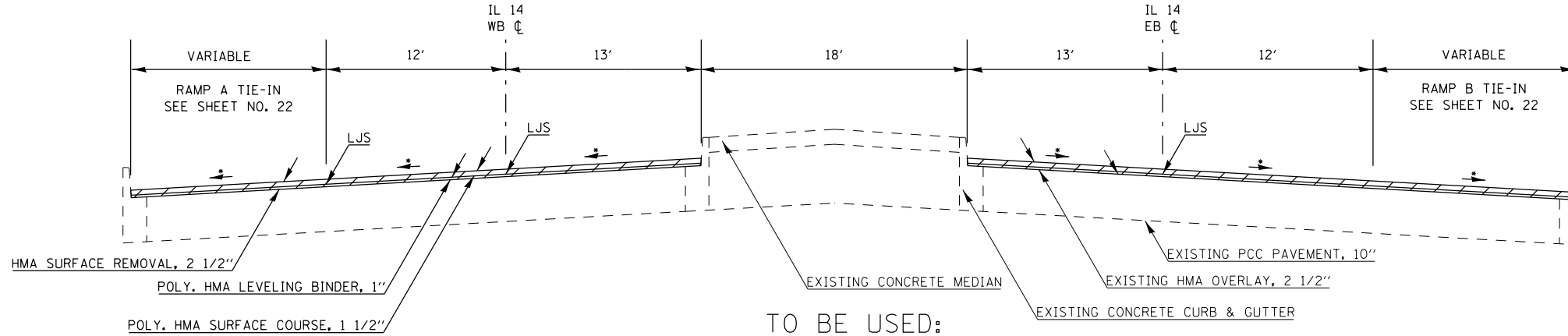
USER NAME = greenleesm	DESIGNED -	REVISED -
DRAWN -	REVISOR -	
PLOT SCALE = 100.0000' / in.	CHECKED -	REVISOR -
PLOT DATE = 3/25/2019	DATE -	REVISOR -

STATE OF ILLINOIS
 DEPARTMENT OF TRANSPORTATION

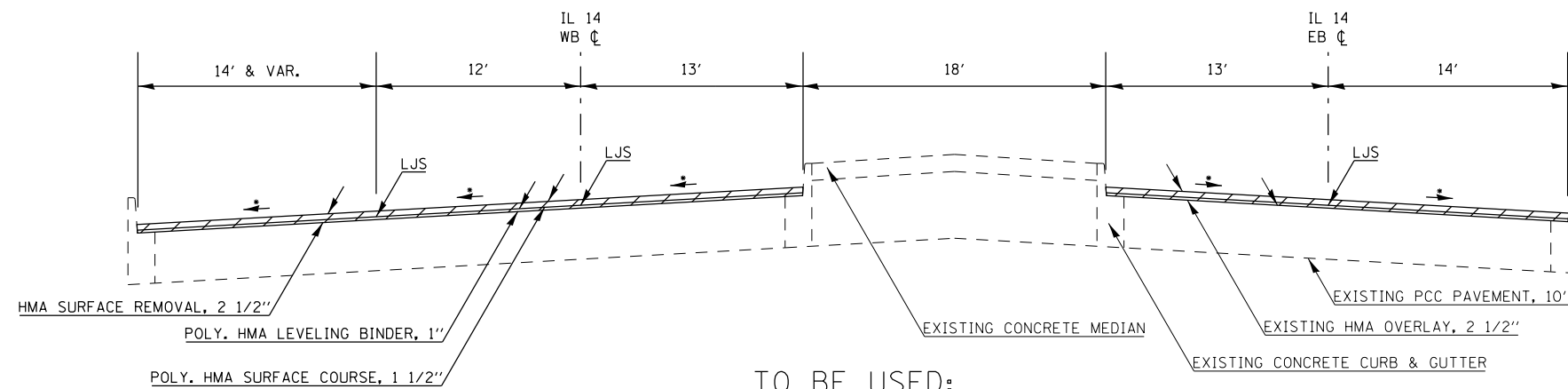
SCALE:		SHEET OF SHEETS		STA. TO STA.	
--------	--	-----------------	--	--------------	--

F.A.P. RTE.	SECTION	COUNTY	TOTAL SHEETS	SHEET NO.
869	(4.5)RS-5	FRANKLIN	26	12
CONTRACT NO. 78698				
ILLINOIS FED. AID PROJECT				

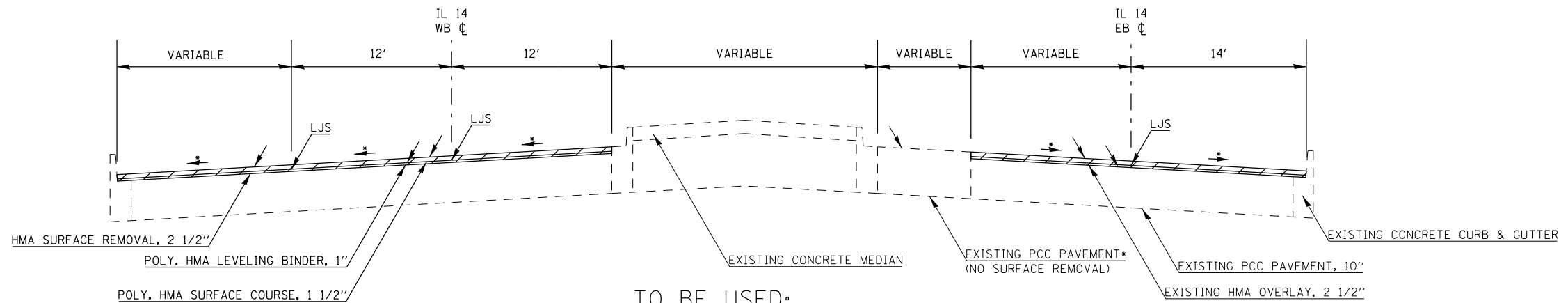
TYPICAL SECTIONS



TO BE USED:
 STA. 900+56 TO 902+24
 (STA. 900+56 TO 901+21: OMIT CONCRETE MEDIAN FROM TYPICAL)



TO BE USED:
 STA. 902+24 TO 903+85



TO BE USED:
 STA. 903+85 TO 904+77

* - MATCH EXISTING SLOPE

LJS - LONGITUDINAL JOINT SEALANT

MODEL: Default
 FILE: \\nas01c.psu.edu\harcross\data\illinois\pwr\DOT\Documents\DOT_Offices\District 9\Projects\78698\CADD\Drawings\9078698-Sheets.dgn

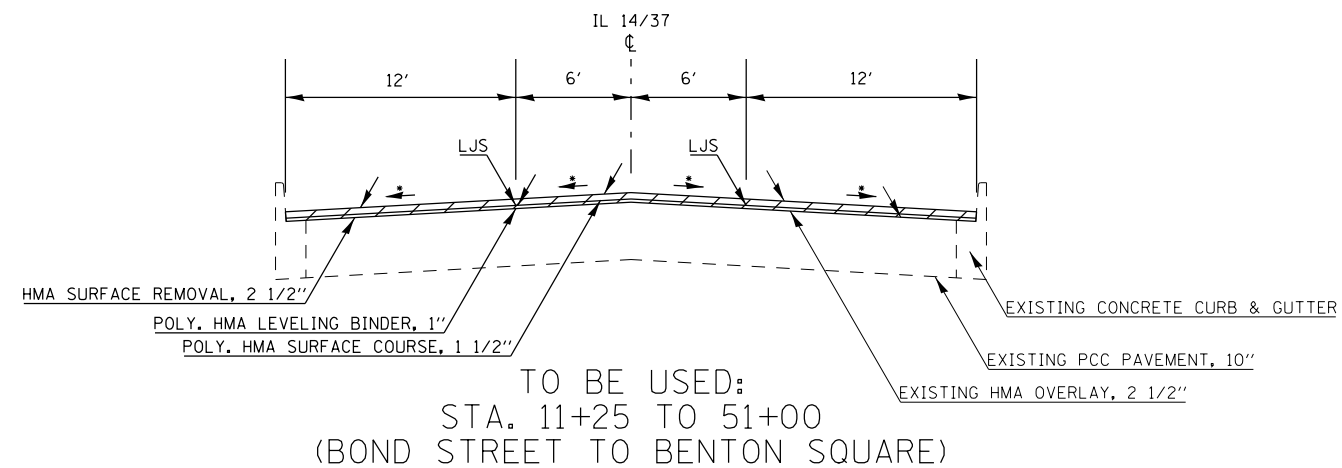
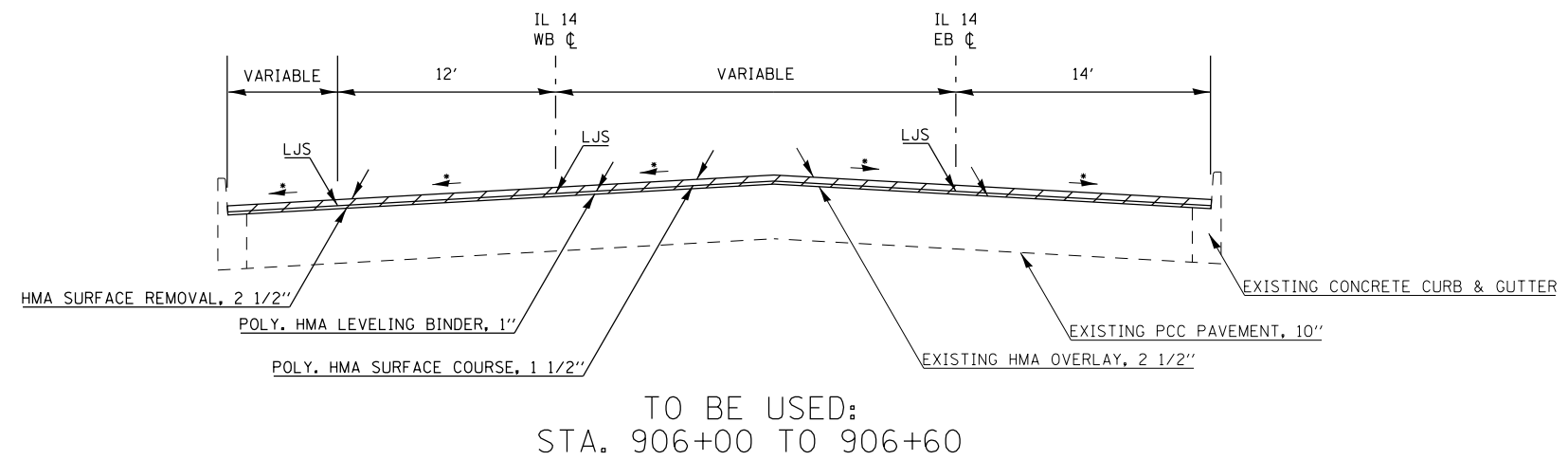
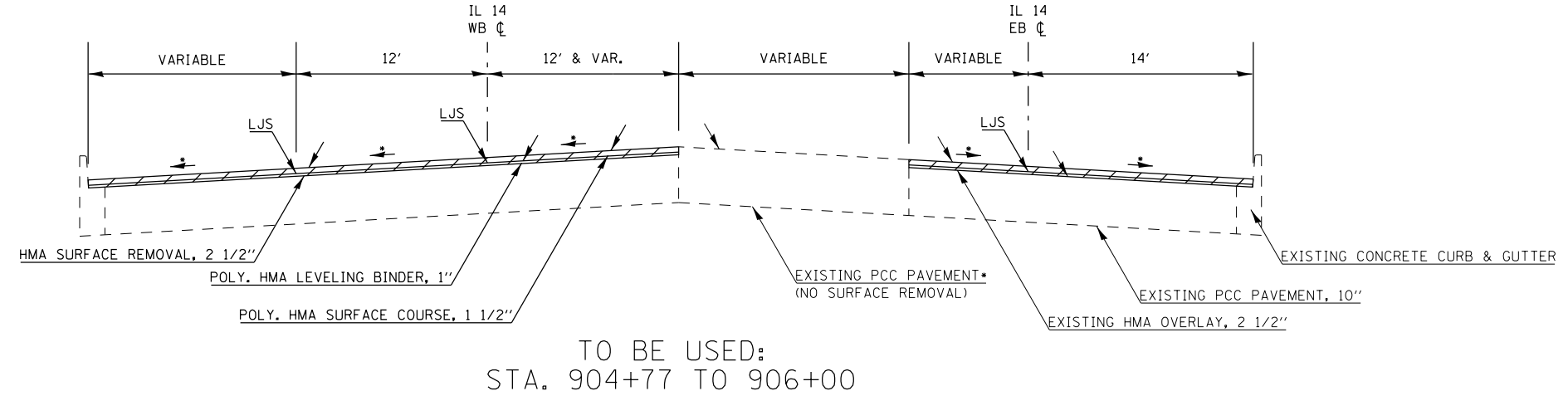
USER NAME = greenleesm	DESIGNED -	REVISED -
PLOT SCALE = 100.0000' / in.	DRAWN -	REVISED -
PLOT DATE = 3/25/2019	CHECKED -	REVISED -
	DATE -	REVISED -

**STATE OF ILLINOIS
 DEPARTMENT OF TRANSPORTATION**

TYPICAL SECTIONS				
SCALE:	SHEET	OF	SHEETS	STA. TO STA.

F.A.P. RTE.	SECTION	COUNTY	TOTAL SHEETS	SHEET NO.
869	(4.5)RS-5	FRANKLIN	26	13
CONTRACT NO. 78698				
ILLINOIS FED. AID PROJECT				

TYPICAL SECTIONS



* - MATCH EXISTING SLOPE

LJS - LONGITUDINAL JOINT SEALANT

MODEL: Default
FILE: \\blm1c2.pw.uspbarn.com\data\illinois.gov\PROJECTS\DOT\Documents\DOT_Offices\District 9\Projects\78698\CADD\data\CAD\Sheets\0778698-Sheets.dgn

USER NAME = greenleesm	DESIGNED -	REVISED -
PLOT SCALE = 100,0000' / in.	DRAWN -	REVISED -
PLOT DATE = 3/25/2019	CHECKED -	REVISED -
	DATE -	REVISED -

**STATE OF ILLINOIS
DEPARTMENT OF TRANSPORTATION**

TYPICAL SECTIONS

SCALE: SHEET OF SHEETS STA. TO STA.

F.A.P. RTE.	SECTION	COUNTY	TOTAL SHEETS	SHEET NO.
869	(4.5)RS-5	FRANKLIN	26	14
CONTRACT NO. 78698			ILLINOIS FED. AID PROJECT	

MAINLINE RESURFACING

LOCATION	PAVEMENT WIDTH (START)	PAVEMENT WIDTH (END)	AVERAGE PAVEMENT WIDTH	PAVEMENT LENGTH	HMA SURFACE REMOVAL, 2 1/2"	POLY. HMA SURF. COURSE, MIX "D", N90 (1 1/2")	POLY. LEVEL. BINDER (MM), IL-9.5FC, N90 (1")	BITUMINOUS MATERIALS (TACK COAT)	TEMPORARY RAMP **	REMARKS				
											FOR INFORMATIONAL PURPOSES ONLY			
											FOOT	FOOT	FOOT	FOOT
IL 14 (FAP 869) FRANKLIN COUNTY														
844+50									22.2					
844+50	TO	845+27	24	24	24	77	205.3	17.2	11.5	138.6				
845+27	TO	855+65	24	50	37	1038	4267.3	358.5	239.0	2880.5				
855+65	TO	858+12	44	50	47	247	1289.9	108.4	72.2	870.7				
858+12	TO	868+05	50	50	50	993	5516.7	463.4	308.9	3723.8				
868+05	TO	868+27	50	68	59	22	144.2	12.1	8.1	97.4				
868+27	TO	868+75	68	68	68	48	362.7	30.5	20.3	244.8	Church St. Intersection			
868+75	TO	868+97	68	50	59	22	144.2	12.1	8.1	97.4				
868+97	TO	877+32	50	50	50	835	4638.9	389.7	259.8	3131.3				
877+32	TO	883+15	68	68	68	583	4404.9	370.0	246.7	2973.3				
883+15	TO	883+57	74	74	74	42	345.3	29.0	19.3	233.1	N. Central Street Tie-in			
883+57	TO	883+77	82	86	84	20	186.7	15.7	10.5	126.0	N/S Central St. Tie-ins			
883+77	TO	884+79	86	86	86	102	974.7	81.9	54.6	657.9	N/S Central St. Tie-ins			
884+79	TO	885+64	74	74	74	85	698.9	58.7	39.1	471.8				
885+64		WB RTL								11.1	WB RTL Tie-in			
885+64	TO	886+24	86	86	86	60	573.3	48.2	32.1	387.0				
886+24	TO	886+67	86	84	85	43	406.1	34.1	22.7	274.1				
886+67	TO	888+26	84	66	75	159	1325.0	111.3	74.2	894.4				
888+26	TO	889+10	54	50	52	84	485.3	40.8	27.2	327.6	Ramp C/D Intersection			
889+10	TO	889+34	50	50	50	24	133.3	11.2	7.5	90.0	Ramp C/D Intersection			
889+34	TO	890+00	68	68	68	66	498.7	41.9	27.9	336.6	Ramp C/D Intersection			
Ramp D							348.4	29.3	19.5	235.2	See Sheet No. 22			
Ramp C							462.2	38.8	25.9	312.0	See Sheet No. 22			
890+00	TO	892+25	62	62	62	225	1550.0	130.2	86.8	1046.3				
892+25 WB	TO	894+20 WB	37	25	31	195	671.7	56.4	37.6	453.4				
894+20 WB										23.1				
892+25 EB	TO	894+08 EB	25	25	25	183	508.3	42.7	28.5	343.1				
894+08 EB										23.1				
896+27 EB	TO	898+08 EB	25	37	31	181	623.4	52.4	34.9	420.8				
896+27 EB										23.1				
896+39 WB	TO	898+08 WB	25	25	25	169	469.4	39.4	26.3	316.9				
896+39 WB										23.1				
898+08	TO	900+56	62	62	62	248	1708.4	143.5	95.7	1153.2				
900+56	TO	901+21	68	68	68	65	491.1	41.3	27.5	331.5	Ramp A/B Intersection			
901+21	TO	902+24	50	50	50	103	572.2	48.1	32.0	386.3	Ramp A/B Intersection			
Ramp A							584.3	49.1	32.7	394.4	See Sheet No. 22			
Ramp B							339.6	28.5	19.0	229.2	See Sheet No. 22			
902+24	TO	902+77	66	66	66	53	388.7	32.6	21.8	262.4				
902+77	TO	903+85	66	64	65	108	780.0	65.5	43.7	526.5				

- SEE "SHOULDERS" SCHEDULE FOR ADDITIONAL QUANTITIES
- SEE "TEMPORARY RAMPS FOR SIDEROADS" SCHEDULE FOR ADDITIONAL QUANTITIES

M:\E:\Default\paulbarcom.dwt\Illinois\pau\DOT\Documents\DOT_Office\District_9\Projects\78698\CADD\Drawings\DOT_78698_Sheets.dgn

USER NAME = whitee	DESIGNED -	REVISED -
PLOT SCALE = 100.0000' / in.	DRAWN -	REVISED -
PLOT DATE = 4/5/2019	CHECKED -	REVISED -
	DATE -	REVISED -

**STATE OF ILLINOIS
DEPARTMENT OF TRANSPORTATION**

SCHEDULES			
SCALE:	SHEET	OF	SHEETS
	STA.	TO	STA.

F.A.P. RTE.	SECTION	COUNTY	TOTAL SHEETS	SHEET NO.
869	(4.5)RS-5	FRANKLIN	26	15
CONTRACT NO. 78698				
ILLINOIS FED. AID PROJECT				

MAINLINE RESURFACING, CONTINUED

LOCATION			PAVEMENT WIDTH (START)	PAVEMENT WIDTH (END)	AVERAGE PAVEMENT WIDTH	PAVEMENT LENGTH	HMA SURFACE REMOVAL, 2' 1/2"	POLY. HMA SURF. COURSE, MIX "D", N90 (1 1/2")	POLY. LEVEL. BINDER (MM), IL-9.5FG, N90 (1")	BITUMINOUS MATERIALS (TACK COAT)	TEMPORARY RAMP **	REMARKS	
			FOR INFORMATIONAL PURPOSES ONLY				SQ YD	TON	TON	POUND	SQ YD		
			FOOT	FOOT	FOOT	FOOT							
903+85	TO	906+00	62	44	53	215	1266.1	106.4	70.9	854.6		Omit PCC LT TN Lane	
906+00	TO	906+60	55	49	52	60	346.7	29.1	19.4	234.0			
906+60											45.4		
FAP 869 SUB-TOTALS								37712	3168	2112	25457	172	
IL 14/37 (FAS 2826) FRANKLIN COUNTY													
11+25											33.3		
11+25	TO	51+00	36	36	36	3975	15900.0	1335.6	890.4	10732.5			
51+00											33.3		
FAS 2826 SUB-TOTALS								15900	1336	891	10733	67	
TOTALS								53612	4504	3003	36190	239	

- SEE "SHOULDERS" SCHEDULE FOR ADDITIONAL QUANTITIES
- SEE "TEMPORARY RAMPS FOR SIDEROADS" SCHEDULE FOR ADDITIONAL QUANTITIES

SHOULDERS

LOCATION				SHOULDER WIDTH	SHOULDER LENGTH	HMA SURFACE REMOVAL, 1 1/2"	HMA SHOULDERS (1 1/2")	BITUMINOUS MATERIALS (TACK COAT)	REMARKS	
				FOR INFORMATIONAL PURPOSES ONLY			SQ YD	TON		POUND
				FOOT	FOOT	FOOT				
IL 14 (FAP 869) FRANKLIN COUNTY										
844+50	TO	847+05	WB	3	255	85.0	7.1	38.3		
844+50	TO	847+05	EB	3	255	85.0	7.1	38.3		
847+05	TO	883+15	WB	8	3610	3208.9	269.5	1444.0		
847+05	TO	883+57	EB	8	3652	3246.2	272.7	1460.8		
884+79	TO	888+26	EB	8	347	308.4	25.9	138.8		
885+64	TO	888+26	WB	4	262	116.4	9.8	52.4		
890+00	TO	894+17	WB	5	417	231.7	19.5	104.3		
890+00	TO	893+95	EB	5	395	219.4	18.4	98.8		
896+52	TO	900+56	WB	5	404	224.4	18.9	101.0		
896+30	TO	900+56	EB	5	426	236.7	19.9	106.5		
TOTALS						7963	669	3584		

- SEE "MAINLINE RESURFACING" SCHEDULE FOR ADDITIONAL QUANTITIES

M:\E:_Default\...
 FILE NAME: ...
 PROJECT: ...
 SHEET: ...

USER NAME = whitee	DESIGNED -	REVISED -
	DRAWN -	REVISED -
PLOT SCALE = 100.0000' / in.	CHECKED -	REVISED -
PLOT DATE = 4/5/2019	DATE -	REVISED -

**STATE OF ILLINOIS
DEPARTMENT OF TRANSPORTATION**

SCHEDULES	
SCALE:	SHEET OF SHEETS STA. TO STA.

F.A.P. RTE.	SECTION	COUNTY	TOTAL SHEETS	SHEET NO.
869	(4.5)RS-5	FRANKLIN	26	16
CONTRACT NO. 78698				
ILLINOIS FED. AID PROJECT				

TEMPORARY RAMPS FOR SIDEROADS

LOCATION			LENGTH	TEMPORARY RAMP	REMARKS
			FOOT	SQ YD	
IL 14 (FAP 869) FRANKLIN COUNTY					
884+24	WB	N. CENTRAL ST.	97	10.8	
884+24	EB	S. CENTRAL ST.	100	11.1	
889+26	WB	RAMP D	34	3.8	
889+34	EB	RAMP C	30	3.3	
901+33	WB	RAMP A	23	2.6	
901+38	EB	RAMP B	35	3.9	
FAP 869 SUB-TOTAL				36	
IL 14/37 (FAS 2826) FRANKLIN COUNTY					
11+16	SB	W. BOND ST.	25	2.8	
11+50	NB	E. BOND ST.	31	3.4	
13+26	NB	CRISP ST.	17	1.9	
15+75	SB	W. RUTH ST.	42	4.7	
17+09	NB	COPPLE ST.	36	4.0	
20+37	SB	GRAYSON ST.	40	4.4	
21+32	NB	MARTIN ST.	38	4.2	
23+49	SB	CARLTON ST.	36	4.0	
23+81	NB	E. REED ST.	41	4.6	
26+21	SB	W. REED ST.	41	4.6	
28+62	SB	CHARLES ST.	44	4.9	
31+08	SB	MITCHELL ST.	47	5.2	
32+14	NB	JOPLIN ST.	51	5.7	
37+76	SB	5TH ST.	35	3.9	
40+85	SB	4TH ST.	40	4.4	
43+14	NB	E. SMITH ST.	34	3.8	
43+90	SB	MCFALL ST.	44	4.9	
45+79	NB	LAWRENCE ST.	79	8.8	
48+93	SB	W. WASHINGTON ST.	50	5.6	
48+93	NB	E. WASHINGTON ST.	45	5.0	
FAS 2826 SUB-TOTAL				91	
TOTALS				127	

• SEE "MAINLINE RESURFACING" SCHEDULE FOR ADDITIONAL QUANTITIES

LONGITUDINAL JOINT SEALANT

LOCATION			LANE JOINT	LONGITUDINAL JOINT SEALANT	REMARKS
				FOOT	
IL 14 (FAP 869) FRANKLIN COUNTY					
844+50	TO	845+09	CL	59	
845+09	TO	894+08	EB CL	4899	
896+27	TO	906+60	EB CL	1033	
845+09	TO	894+20	WB CL	4911	
896+39	TO	906+60	WB CL	1021	
868+05	TO	868+97	EB INSIDE	92	
868+05	TO	868+97	WB INSIDE	92	
877+32	TO	884+79	EB LTL / GORE	747	
877+32	TO	888+26	WB LTL / GORE	1094	
883+57	TO	889+60	EB RTL	603	
885+64	TO	889+56	WB RTL	392	
889+34	TO	890+00	EB INSIDE	66	
889+34	TO	894+20	WB LTL	486	
896+27	TO	901+21	EB LTL	494	
900+56	TO	901+21	WB INSIDE	65	
900+94	TO	906+60	WB RTL	566	
FAP 869 SUB-TOTAL				16620	
IL 14/37 (FAS 2826) FRANKLIN COUNTY					
11+25	TO	51+00	NB	3975	
11+25	TO	51+00	SB	3975	
FAS 2826 SUB-TOTAL				7950	
TOTALS				24570	

MODEL: Default
 FILE: Mainline_Plan/planroom.dwg
 PROJECT: 78698
 CADD: DataCAD/Sheet: D7 78698-Sheets.dgn
 PROJECT: 78698
 OFFICE: IDOT
 DOCUMENTS: IDOT
 DATE: 3/25/2019

USER NAME = greenleesm	DESIGNED -	REVISED -
	DRAWN -	REVISED -
PLOT SCALE = 100,0000' / in.	CHECKED -	REVISED -
PLOT DATE = 3/25/2019	DATE -	REVISED -

**STATE OF ILLINOIS
DEPARTMENT OF TRANSPORTATION**

SCHEDULES			
SCALE:	SHEET	OF	SHEETS
	STA.	TO	STA.

F.A.P. RTE. 869	SECTION (4.5)RS-5	COUNTY FRANKLIN	TOTAL SHEETS 26	SHEET NO. 17
CONTRACT NO. 78698				
ILLINOIS		FED. AID PROJECT		

DETECTOR LOOP

LOCATION *		SIZE	TYPE	EOP TO LOOP	LOOP AMOUNT	DETECTOR LOOP, TYPE I
					FOOT	FOOT
IL 14 (FAP 869) FRANKLIN COUNTY						
880+85	EBDL	5' x 5'	ADVANCE	14	20	34
880+85	EBPL	5' x 5'	ADVANCE	26	20	46
883+42	EBDL	5' x 5'	ADVANCE	6	20	26
883+42	EBPL	5' x 5'	ADVANCE	18	20	38
883+47	EB LTL	6' x 20'	PRESENCE	36	52	88
883+73	EB LTL	6' x 20'	PRESENCE	42	52	94
884+88	WB LTL	6' x 20'	PRESENCE	36	52	88
885+14	WB LTL	6' x 20'	PRESENCE	52	52	104
885+23	WBPL	5' x 5'	ADVANCE	57	20	77
885+23	WBDL	5' x 5'	ADVANCE	53	20	73
887+74	WBPL	5' x 5'	ADVANCE	26	20	46
887+74	WBDL	5' x 5'	ADVANCE	14	20	34
RAMP D	RTL	5' x 12'	PRESENCE	5	34	39
RAMP D	RTL	5' x 12'	PRESENCE	5	34	39
RAMP D	THRU / LTL	6' x 20'	PRESENCE	5	52	57
RAMP D	THRU / LTL	6' x 20'	PRESENCE	5	52	57
890+05	WB LTL	6' x 20'	PRESENCE	5	52	57
890+31	WB LTL	6' x 20'	PRESENCE	5	52	57
900+09	WB LTL	6' x 20'	PRESENCE	39	52	91
900+35	WB LTL	6' x 20'	PRESENCE	36	52	88
RAMP B	THRU / LTL	6' x 20'	PRESENCE	6	52	58
RAMP B	THRU / LTL	6' x 20'	PRESENCE	7	52	59
RAMP B	RTL	6' x 6'	PRESENCE	6	24	30
RAMP B	RTL	6' x 6'	PRESENCE	9	24	33
TOTALS						1413

- STATION IS APPROXIMATE; LOCATIONS OF DETECTOR LOOPS MAY BE ADJUSTED TO FIT FIELD CONDITIONS AS DIRECTED BY THE ENGINEER OF TRAFFIC OPERATIONS.

WASHINGTON STREET SIDEWALK

LOCATION	PAVEMENT REMOVAL	SIDEWALK REMOVAL	PCC DRIVEWAY PAVEMENT, 8"	TIE BARS, 3/4"	COMB. CONC. CURB & GUTTER, TY. B-6.12	PCC SIDEWALK, 5"	DETECTABLE WARNING	PROTECTIVE COAT
IL 14/37 (FAS 2826) FRANKLIN COUNTY	SO YD	SO FT	SO YD	EACH	FOOT	SO FT	SO FT	SO YD
SOUTHEAST QUAD	12.0	88.0	11.0	10.0	14.0	74.0	23.0	22.0
TOTALS	12	88	11	10	14	74	23	22

MODEL: Default
 FILE: h:\mfc_2019\pub\haronom.dwg
 PROJECT: 78698\DOT\Office\Drawings\9\Project\78698\CADD\Drawings\9\78698-Sheets.dwg

USER NAME = greenleesm	DESIGNED -	REVISED -
	DRAWN -	REVISED -
PLOT SCALE = 100.0000' / in.	CHECKED -	REVISED -
PLOT DATE = 3/25/2019	DATE -	REVISED -

**STATE OF ILLINOIS
DEPARTMENT OF TRANSPORTATION**

SCHEDULES			
SCALE:	SHEET	OF	SHEETS
	STA.	TO	STA.

F.A.P. RTE. 869	SECTION (4.5)RS-5	COUNTY FRANKLIN	TOTAL SHEETS 26	SHEET NO. 18
CONTRACT NO. 78698				
ILLINOIS FED. AID PROJECT				

PAVEMENT PATCHING

LOCATION	LENGTH	WIDTH	PAVEMENT PATCHING, TYPE II, 13 INCH	PAVEMENT PATCHING, TYPE III, 13 INCH	PAVEMENT PATCHING, TYPE IV, 13 INCH	REMARKS
			SO YD	SO YD	SO YD	
IL 14 (FAP 869) FRANKLIN COUNTY						Mileposts #'s for FAP 869 are from West to East
MP 0.0	WB	13	6	8.7		
MP 0.0	WB	14	8	12.4		
MP 0.0	WB	15	6	10.0		
MP 0.0	WB	16	4	7.1		
MP 0.1	WB	12	4	5.3		
MP 0.1	WB	14	8	12.4		
MP 0.1	WB	18	8		16.0	
MP 0.1	WB	12	6	8.0		
MP 0.1	WB	21	6	14.0		
MP 0.1	WB	12	6	8.0		
MP 0.2	WB	17	8		15.1	
MP 0.5	WB	13	6	8.7		
MP 0.5	WB	37	4		16.4	
MP 0.9	WB	34	4		15.1	
MP 1.0	WB	12	6	8.0		
MP 0.0	EB	12	6	8.0		
MP 0.0	EB	14	6	9.3		
MP 0.0	EB	15	4	6.7		
MP 0.1	EB	21	4	9.3		
MP 0.1	EB	25	4	11.1		
MP 0.1	EB	24	8		21.3	
MP 0.1	EB	24	6		16.0	
MP 0.2	EB	24	6		16.0	
MP 0.2	EB	24	6		16.0	
MP 0.3	EB	25	7		19.4	
MP 0.6	EB	25	6		16.7	
MP 0.8	EB	12	6	8.0		
MP 0.8	EB	12	4	5.3		
MP 0.9	EB	25	4	11.1		
MP 1.0	EB	12	4	5.3		
FAP 869 SUB-TOTALS				177	168	0

LOCATION	LENGTH	WIDTH	PAVEMENT PATCHING, TYPE II, 13 INCH	PAVEMENT PATCHING, TYPE III, 13 INCH	PAVEMENT PATCHING, TYPE IV, 13 INCH	REMARKS
			SO YD	SO YD	SO YD	
IL 14/37 (FAS 2826) FRANKLIN COUNTY						Milepost #'s for FAS 2826 are from South to North
MP 0.0	NB	14	12		18.7	
MP 0.0	NB	23	12			30.7
MP 0.0	NB	6	12	8.0		
MP 0.0	NB	30	6		20.0	
MP 0.1	NB	26	12			34.7
MP 0.1	NB	18	6	12.0		
MP 0.1	NB	12	12		16.0	
MP 0.2	NB	15	6	10.0		
MP 0.3	NB	30	6		20.0	
MP 0.3	NB	12	12		16.0	
MP 0.3	NB	12	6	8.0		
MP 0.5	NB	12	6	8.0		
MP 0.5	NB	30	12			40.0
MP 0.7	NB	8	6	5.3		
MP 0.7	NB	40	6			26.7
MP 0.7	NB	12	12		16.0	
MP 0.7	NB	25	12			33.3
MP 0.0	SB	50	6			33.3
MP 0.1	SB	50	12			66.7
MP 0.1	SB	8	6	5.3		
MP 0.3	SB	8	12	10.7		
MP 0.6	SB	8	12	10.7		
MP 0.7	SB	25	12			33.3
MP 0.7	SB	15	12		20.0	
MP 0.7	SB	8	12	10.7		
MP 0.7	SB	12	12		16.0	
MP 0.7	SB	14	12		18.7	
MP 0.7	SB	25	6		16.7	
MP 0.7	SB	8	12	10.7		
MP 0.7	SB	12	12		16.0	
MP 0.2	LTL	7	12	9.3		
FAS 2826 SUB-TOTALS				109	195	299
TOTALS				286	363	299

*** PATCHING QUANTITIES AND LOCATIONS ARE ESTIMATES ONLY. ACTUAL QUANTITIES TO BE DETERMINED BY THE ENGINEER.

M:\E:_Default\FILE\MapLE_Plan\MapLE_Plan\DOT\Documents\DOT Office\Drawings\DOT\Projects\869\CADData\CAD\Drawings\869-Sheets.dwg

USER NAME = whitee	DESIGNED -	REVISED -
DRAWN -	REVISION -	
PLOT SCALE = 100.0000' / in.	CHECKED -	REVISED -
PLOT DATE = 3/25/2019	DATE -	REVISED -

**STATE OF ILLINOIS
DEPARTMENT OF TRANSPORTATION**

SCHEDULES			
SCALE:	SHEET	OF	SHEETS
	STA.	TO	STA.

F.A.P. RTE. 869	SECTION (4.5)RS-5	COUNTY FRANKLIN	TOTAL SHEETS 26	SHEET NO. 19
CONTRACT NO. 78698				
ILLINOIS FED. AID PROJECT				

PAVEMENT MARKING

START STATION	END STATION	LOCATION	DESCRIPTION	THERMOPLASTIC PAVEMENT MARKING						REMARKS
				LINE 4"		LINE 12"		LINE 24"	LETTERS AND SYMBOLS	
				WHITE	YELLOW	WHITE	YELLOW	WHITE		
				FOOT	FOOT	FOOT	FOOT	FOOT		
IL 14 (FAP 869) FRANKLIN COUNTY										
844+50	845+99	EB OS	SOLID	149						
844+50	850+00	CL	SKIP DASH		140					
844+50	868+20	WB OS	SOLID	2370						
845+96	850+00	CL	SOLID		404					
847+18	868+20	EB OS	SOLID	2102						
850+00	850+75	CL	DOUBLE SOLID		150					
850+00	883+97	EB CL	SKIP DASH	850						
850+75	863+00	GORE	SOLID DIAGONAL				460			
850+75	856+12	EB INSIDE	DOUBLE SOLID		1074					
850+75	863+00	WB INSIDE	DOUBLE SOLID		2450					
856+12	868+20	EB INSIDE	SOLID		1208					
863+00	868+20	WB INSIDE	SOLID		520					
863+00	883+97	WB CL	SKIP DASH	520						
868+95	877+28	EB OUTSIDE	SOLID	833						
868+95	877+28	WB OUTSIDE	SOLID	833						
868+95	877+28	EB INSIDE	SOLID		833					
868+95	877+28	WB INSIDE	SOLID		833					
878+15	879+56	WB LTL	SOLID	141						
878+15	883+15	WB OS	SOLID	500						
878+15	883+80	WB INSIDE	DOUBLE SOLID		1130					
878+15	883+80	EB INSIDE	DOUBLE SOLID		1130					
878+15	883+80	GORE	SOLID DIAGONAL				216			
878+15	883+97	EB OUTSIDE	SOLID	582						
879+08		WB LTL	LT TN ARROW						8.8	
879+34		WB LTL	ONLY						11.8	
881+55	883+97	EB LTL	SOLID	242						
881+70		EB LTL	ONLY						11.8	
881+98		EB LTL	LT TN ARROW						8.8	
883+34		EB LTL	ONLY						11.8	
883+48	884+03	WB OUTSIDE	SOLID	55						CENTRAL ST. ISLAND
883+48	884+03	GORE	SOLID DIAGONAL			24				CENTRAL ST. ISLAND
883+60		EB LTL	LT TN ARROW						8.8	
883+80		EB LTL	STOP BAR						12	
883+88		EB RT TN	STOP BAR						18	
883+98		EBDL	STOP BAR						12	
883+98		EBPL	STOP BAR						12	
884+42	884+79	GORE	SOLID DIAGONAL			16				CENTRAL ST. ISLAND
884+42	886+56	WB RTL	SOLID	214						
884+60		WBDL	STOP BAR						12	
884+60		WBPL	STOP BAR						12	

START STATION	END STATION	LOCATION	DESCRIPTION	THERMOPLASTIC PAVEMENT MARKING						REMARKS
				LINE 4"		LINE 12"		LINE 24"	LETTERS AND SYMBOLS	
				WHITE	YELLOW	WHITE	YELLOW	WHITE		
				FOOT	FOOT	FOOT	FOOT	FOOT		
884+60	886+89	WB LTL	SOLID	229						
884+60	889+30	WB CL	SKIP DASH	120						
884+80		WB LTL	STOP BAR						12	
884+80	888+26	EB OUTSIDE	SOLID	346						
884+80	889+30	WB INSIDE	SOLID		450					
884+80	889+30	EB INSIDE	SOLID		450					
884+96	889+30	EB CL	SKIP DASH	110						
885+00		WB LTL	LT TN ARROW						8.8	
885+26		WB LTL	ONLY						11.8	
885+64	888+26	WB OUTSIDE	SOLID	262						
885+73	889+30	EB RTL	SOLID	357						
885+90		WB RTL	RT TN ARROW						8.8	
886+16		WB RTL	ONLY						11.8	
886+46		WB LTL	LT TN ARROW						8.8	
886+72		WB LTL	ONLY						11.8	
888+06		EB RTL	ONLY						11.8	
888+32		EB RTL	RT TN ARROW						8.8	
889+15	889+41	WB OUTSIDE	SOLID	26						RAMP D ISLAND
889+30		EBDL	STOP BAR						12	
889+30		EBPL	STOP BAR						12	
889+60	894+05	EB OUTSIDE	SOLID	445						
889+60	894+23	WB OUTSIDE	SOLID	463						
889+74	894+08	EB CL	SKIP DASH	110						
889+85		WBDL	STOP BAR						12	
889+90		WBPL	STOP BAR						12	
889+90	892+25	WB LTL	SOLID	235						
890+00	894+10	EB INSIDE	SOLID		410					
890+00	894+18	WB INSIDE	SOLID		418					
890+00		WB LTL	STOP BAR						12	
890+00	894+20	WB CL	SKIP DASH	100						
	RAMP D	RTL	STOP BAR						19	
	RAMP D	THRU / LTL	STOP BAR						19	
	RAMP D	EAST EDGE	SOLID		52					
	RAMP D	WEST EDGE	SOLID	127						
	RAMP C	RTL	STOP BAR						19	
	RAMP C	EAST EDGE	SOLID		66					
	RAMP C	WEST EDGE	SOLID	123						
891+75		WB LTL	LT TN ARROW						8.8	
892+10		WB LTL	ONLY						11.8	
896+24	901+01	EB OUTSIDE	SOLID	477						
896+27	900+71	EB CL	SKIP DASH	110						
896+29	900+56	EB INSIDE	SOLID		427					

MODEL: Default
 FILE: \\s:\pub\pubroom\dat\illinois\gov\pww\DOT\Documents\DOT_Offices\Illinet\ 9\Projects\78698\CADD\Drawings\DOT\78698-Sheets.dgn

USER NAME = greenleesm	DESIGNED -	REVISED -
	DRAWN -	REVISED -
PLOT SCALE = 100.0000' / in.	CHECKED -	REVISED -
PLOT DATE = 3/25/2019	DATE -	REVISED -

**STATE OF ILLINOIS
DEPARTMENT OF TRANSPORTATION**

SCHEDULES			
SCALE:	SHEET	OF	SHEETS
	STA.	TO	STA.

F.A.P. RTE.	SECTION	COUNTY	TOTAL SHEETS	SHEET NO.
869	(4,5)RS-5	FRANKLIN	26	20
CONTRACT NO. 78698				
		ILLINOIS	FED. AID PROJECT	

PAVEMENT MARKING, CONTINUED

START STATION	END STATION	LOCATION	DESCRIPTION	THERMOPLASTIC PAVEMENT MARKING						REMARKS
				LINE 4"		LINE 12"		LINE 24"	LETTERS AND SYMBOLS	
				WHITE	YELLOW	WHITE	YELLOW	WHITE		
				FOOT	FOOT	FOOT	FOOT	FOOT		
896+37	900+56	WB INSIDE	SOLID		419					
896+39	900+95	WB CL	SKIP DASH	110						
896+42	901+01	WB OUTSIDE	SOLID	459						
898+30	900+65	EB LTL	SOLID	235						
898+47		EB LTL	ONLY					11.8		
898+73		EB LTL	LT TN ARROW					8.8		
900+56		EB LTL	STOP BAR				12			
900+65		EBPL	STOP BAR				12			
900+71		EBDL	STOP BAR				12			
901+18	901+49	EB OUTSIDE	SOLID	31					RAMP B ISLAND	
901+31	903+87	EB CL	SKIP DASH	60						
901+31	904+26	WB RTL	SOLID	295						
901+31	905+43	WB CL	SKIP DASH	100						
901+31	903+85	WB INSIDE	SOLID		254					
901+31	903+85	EB INSIDE	SOLID		254					
901+31		WBDL	STOP BAR				12			
901+31		WBPL	STOP BAR				12			
	RAMP A	RTL	STOP BAR				19			
	RAMP A	EAST EDGE	SOLID	90						
	RAMP A	WEST EDGE	SOLID		116					
	RAMP B	RTL	STOP BAR				19			
	RAMP B	THRU / LTL	STOP BAR				19			
	RAMP B	EAST EDGE	SOLID	134						
	RAMP B	WEST EDGE	SOLID		50					
903+47		WB RTL	RT TN ARROW					8.8		
903+73		WB RTL	ONLY					11.8		
906+00	906+60	EB MTL	SOLID	60						
906+00	906+60	WB MTL	SOLID		60					
906+00	906+60	WB MTL	SKIP DASH		20					
FAP 869 SUB-TOTALS				14605	13318	40	676	324	206	
IL 14/37 (FAS 2826) FRANKLIN COUNTY										
11+25	48+75	NB MTL	SOLID		3750					
11+25	48+75	SB MTL	SOLID		3750					
11+25	48+75	NB MTL	SKIP DASH		940					
11+25	48+75	SB MTL	SKIP DASH		940					
12+15		MTL	2 LT TN ARROWS					17.6		
15+00		MTL	2 LT TN ARROWS					17.6		
18+00		MTL	2 LT TN ARROWS					17.6		
21+00		MTL	2 LT TN ARROWS					17.6		

START STATION	END STATION	LOCATION	DESCRIPTION	THERMOPLASTIC PAVEMENT MARKING						REMARKS
				LINE 4"		LINE 12"		LINE 24"	LETTERS AND SYMBOLS	
				WHITE	YELLOW	WHITE	YELLOW	WHITE		
				FOOT	FOOT	FOOT	FOOT	FOOT		
24+15		MTL	2 LT TN ARROWS						17.6	
27+00		MTL	2 LT TN ARROWS						17.6	
30+00		MTL	2 LT TN ARROWS						17.6	
33+00		MTL	2 LT TN ARROWS						17.6	
36+00		MTL	2 LT TN ARROWS						17.6	
39+00		MTL	2 LT TN ARROWS						17.6	
42+00		MTL	2 LT TN ARROWS						17.6	
45+00		MTL	2 LT TN ARROWS						17.6	
47+80		MTL	2 LT TN ARROWS						17.6	
49+25		MTL	LT TN ARROW						8.8	
49+55		MTL	ONLY						11.8	
49+18	49+68	NB MTL	SOLID	50						
49+18	49+68	SB MTL	DOUBLE SOLID		100					
49+68	51+00	GORE-NB EDGE	DOUBLE SOLID		264					
49+68	51+00	GORE-SB EDGE	DOUBLE SOLID		264					
49+68	51+00	GORE	SOLID DIAGONAL					25		
51+00		NB/SB	CROSSWALK			66				
FAS 2826 TOTALS				50	10008	66	25	0	250	
COMBINED SUB-TOTALS				14655	23326	106	701	324	456	
TOTALS				37981		807		324	456	

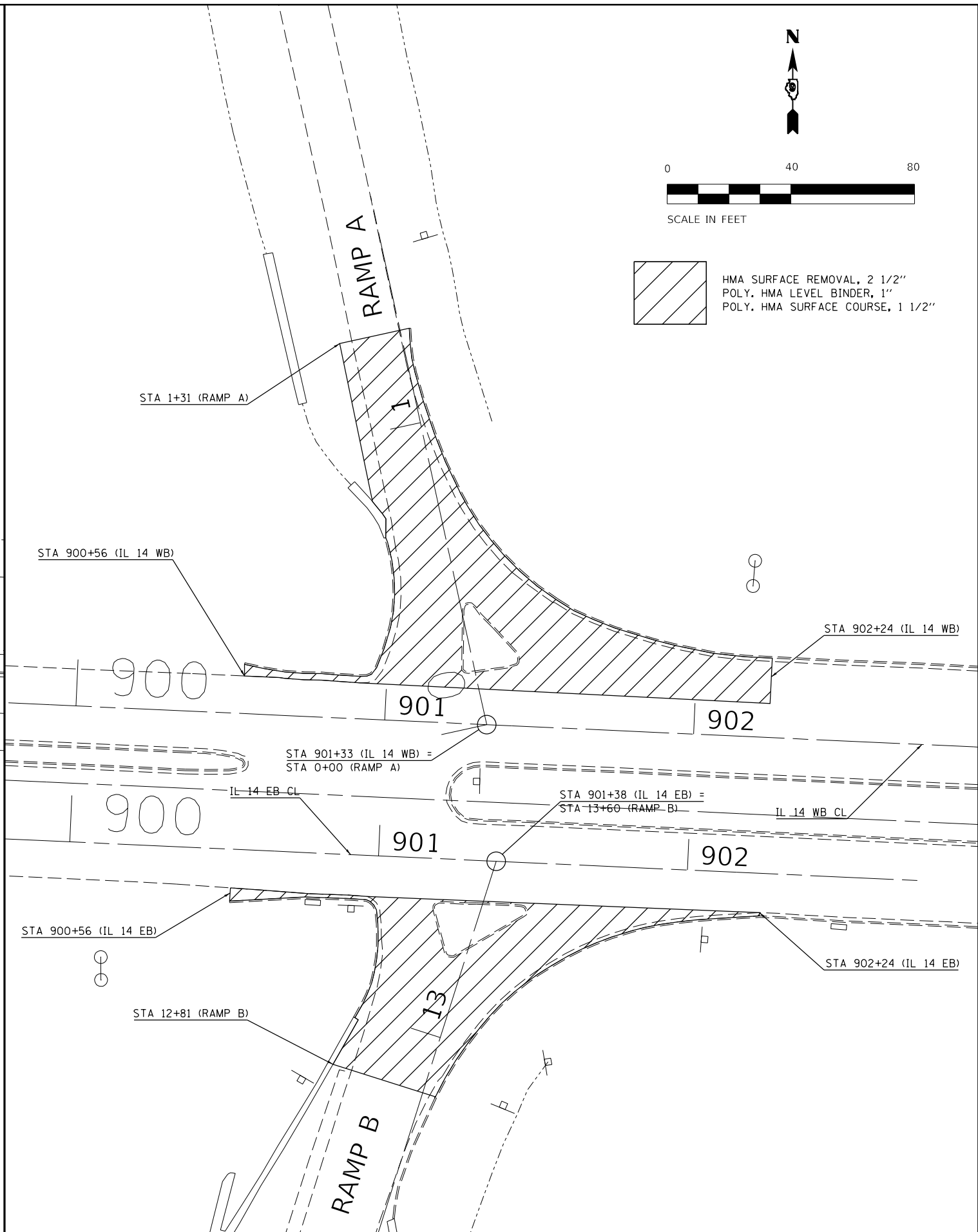
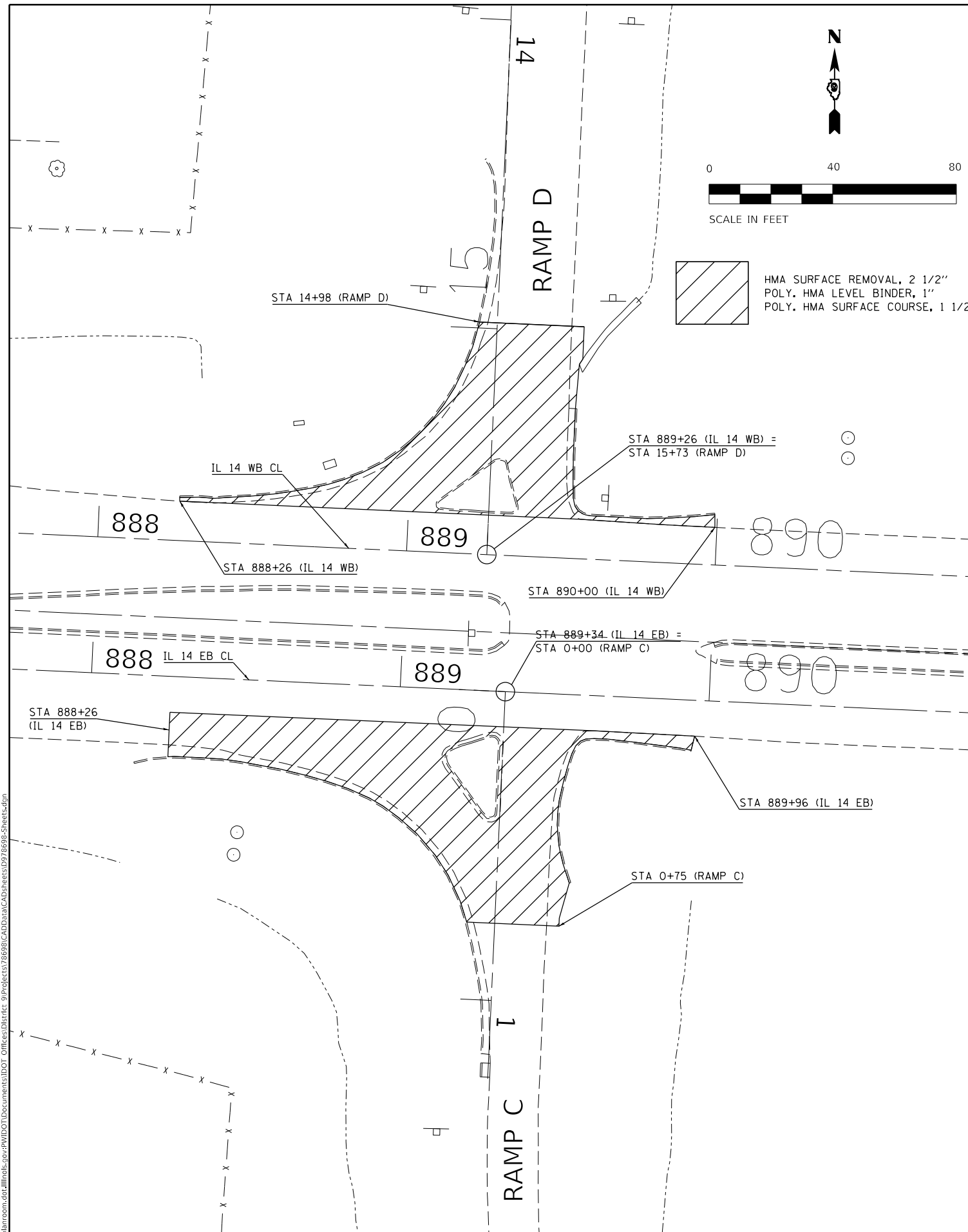
MODEL: Default
 FILE: h:\mde\p\p14\p14rcom.dwg
 PROJECT: 78698
 SHEET: 21

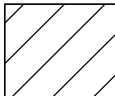
USER NAME = whitee	DESIGNED -	REVISED -
PLOT SCALE = 100.0000' / in.	DRAWN -	REVISED -
PLOT DATE = 3/25/2019	CHECKED -	REVISED -
	DATE -	REVISED -

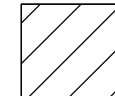
**STATE OF ILLINOIS
DEPARTMENT OF TRANSPORTATION**

SCHEDULES			
SCALE:	SHEET	OF	SHEETS
STA.	TO	STA.	

F.A.P. RTE.	SECTION	COUNTY	TOTAL SHEETS	SHEET NO.
869	(4.5)RS-5	FRANKLIN	26	21
CONTRACT NO. 78698				
ILLINOIS FED. AID PROJECT				




 HMA SURFACE REMOVAL, 2 1/2"
 POLY. HMA LEVEL BINDER, 1"
 POLY. HMA SURFACE COURSE, 1 1/2"


 HMA SURFACE REMOVAL, 2 1/2"
 POLY. HMA LEVEL BINDER, 1"
 POLY. HMA SURFACE COURSE, 1 1/2"

MODEL: Default
 FILE: h:\mhc\p\pub\harcam\dat\illinois\p\p\DOT\Documents\DOT - Offices\District 9\Projects\78698\CADD\Drawings\978698-Sheets.dgn

USER NAME = greenleesm	DESIGNED -	REVISED -
	DRAWN -	REVISED -
PLOT SCALE = 40.0000 ' / in.	CHECKED -	REVISED -
PLOT DATE = 3/25/2019	DATE -	REVISED -

**STATE OF ILLINOIS
DEPARTMENT OF TRANSPORTATION**

I-57 RAMP RESURFACING LIMITS

SCALE: SHEET OF SHEETS STA. TO STA.

F.A.P. RTE.	SECTION	COUNTY	TOTAL SHEETS	SHEET NO.
869	(4,5)RS-5	FRANKLIN	26	22
CONTRACT NO. 78698				
ILLINOIS FED. AID PROJECT				

MOE:\1_Default
FILE NAME: p:\highways\dot_illinois\pws\PROJECTS\78698\CADD\DATA\CADD\Sheets\0778698-Sheets.dgn

ILLINOIS 14/37

CHAIN - IL14_37EOP

0+00

WASHINGTON ST.

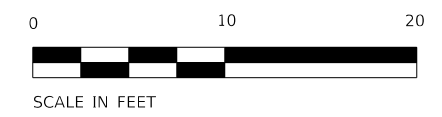
CHAIN - WASHST_RAD
PROP. PROFILE
WASHSTFL

PT Sta 0+14.24

PC Sta 0+00.00

STATIONING ALONG WASHST_RAD	ELEVATION
0+00.00	470.02
0+07.50	470.00
0+14.24	469.93

PROP. CURVE WASHST_RAD
 PI STA. = 0+08.17
 Δ = 70° 14' 36.82" (RT)
 D = 493° 19' 50.12"
 R = 11.61'
 T = 8.17'
 L = 14.24'
 E = 2.59'
 P.C. STA. = 0+00.00
 P.T. STA. = 0+14.24



USER NAME = whitee	DESIGNED -	REVISED -
DRAWN -	REVISED -	
PLOT SCALE = 10.0000 ' / in.	CHECKED -	REVISED -
PLOT DATE = 3/25/2019	DATE -	REVISED -

**STATE OF ILLINOIS
DEPARTMENT OF TRANSPORTATION**

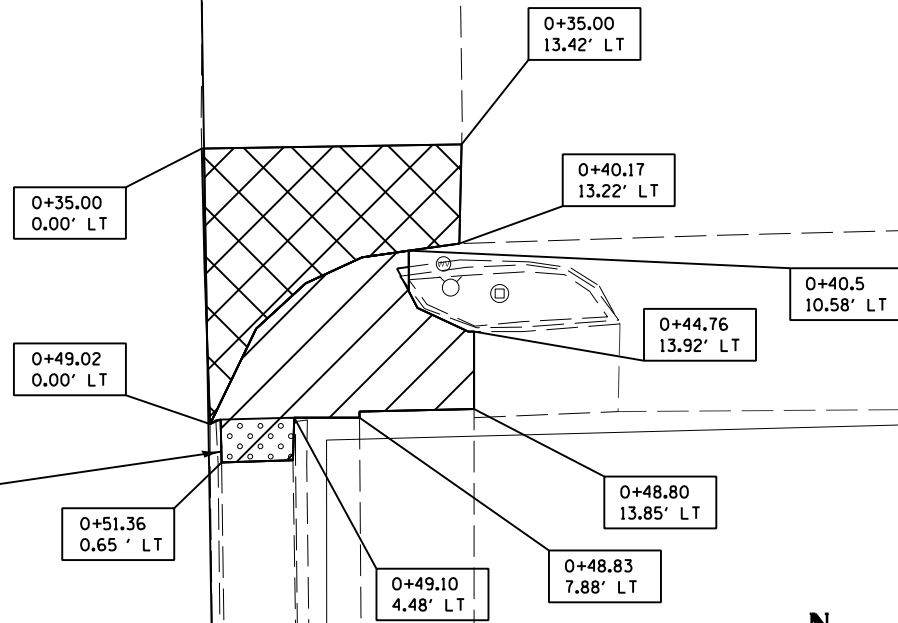
GEOPAK ELEMENTS IDENTIFICATION SHEET

SCALE:	SHEET	OF	SHEETS	STA.	TO	STA.
--------	-------	----	--------	------	----	------

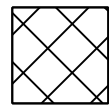
F.A.P. RTE.	SECTION	COUNTY	TOTAL SHEETS	SHEET NO.
869	(4,5)RS-5	FRANKLIN	26	23
CONTRACT NO. 78698				
ILLINOIS FED. AID PROJECT				

ILLINOIS 14/37

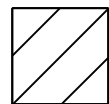
WASHINGTON ST.



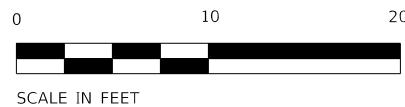
EXISTING DETECTABLE WARNING
TO BE REMOVED AND PAID FOR
AS SIDEWALK REMOVAL



PAVEMENT REMOVAL

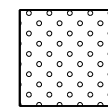
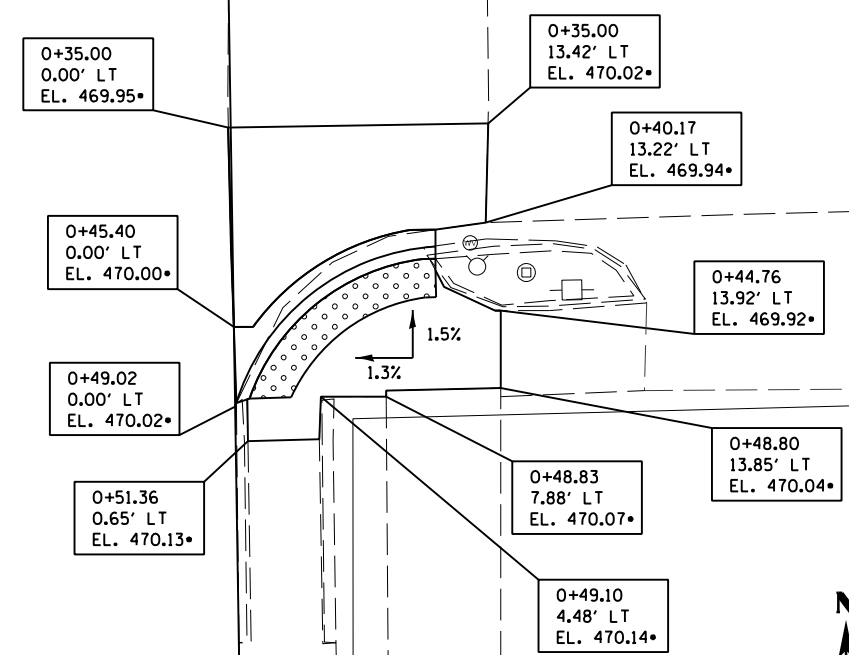


SIDEWALK REMOVAL



ILLINOIS 14/37

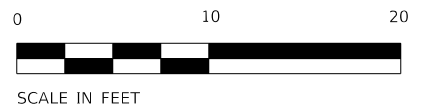
WASHINGTON ST.



DETECTABLE WARNING



MATCH EXISTING



MODEL: Default
 FILE: \\ms01-01\pub\barcoms.dwg
 PROJECT: \\ms01-01\pub\barcoms.dwg
 OFFICE: \\ms01-01\pub\barcoms.dwg
 DATE: 3/25/2019

USER NAME = whitee	DESIGNED -	REVISED -
PLOT SCALE = 10.0000' / in.	DRAWN -	REVISED -
PLOT DATE = 3/25/2019	CHECKED -	REVISED -
	DATE -	REVISED -

STATE OF ILLINOIS
DEPARTMENT OF TRANSPORTATION

WASHINGTON STREET INTERSECTION SIDEWALK (SE QUAD)
REMOVAL LIMITS AND DETAILS

SCALE: SHEET OF SHEETS STA. TO STA.

F.A.P. RTE.	SECTION	COUNTY	TOTAL SHEETS	SHEET NO.
869	(4,5)RS-5	FRANKLIN	26	24
CONTRACT NO. 78698				
ILLINOIS FED. AID PROJECT				

