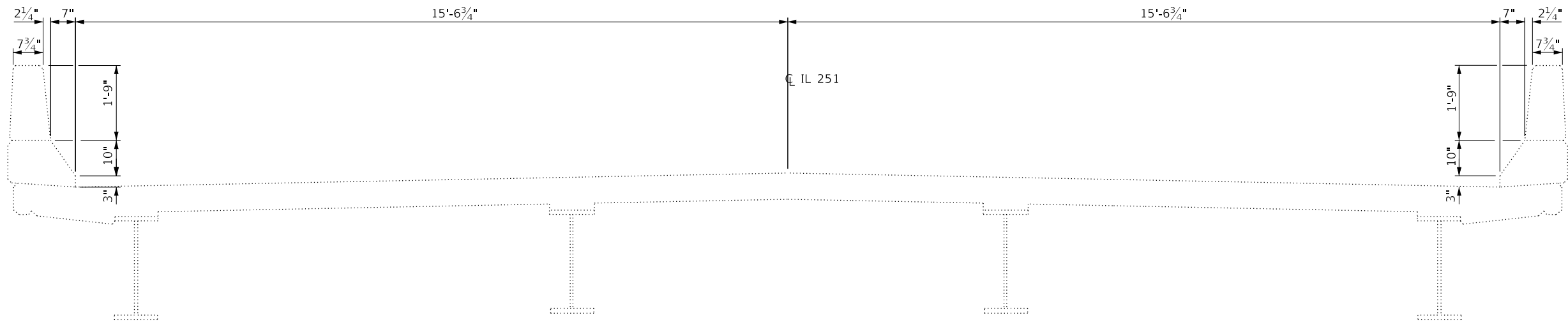


CROSS SECTION - SPAN 4 THRU 6

(LOOKING SOUTH)
 STA. 196+75.20 TO STA. 206+84.36



CROSS SECTION - SPAN 7 THRU 13

(LOOKING SOUTH)
 STA. 206+84.36 TO STA. 216+13.82

FOR INFORMATION ONLY

MODEL: Default
 FILE: Model: 304uplanroom.dwg
 PROJECT: 304uplanroom.dwg
 OFFICE: 304uplanroom.dwg
 DATE: 3/18/2019

USER NAME = woodshankr	DESIGNED - ECP	REVISED - _____
	DRAWN - ECP	REVISED - _____
PLOT SCALE = 100.0000' / in.	CHECKED - RW	REVISED - _____
PLOT DATE = 3/18/2019	DATE - 1/29/19	REVISED - _____

**STATE OF ILLINOIS
 DEPARTMENT OF TRANSPORTATION**

**EXISTING STRUCTURE DETAILS - LOCATION 6
 SN 050-0079**

SCALE: _____ SHEET 3 OF 3 SHEETS STA. _____ TO STA. _____

F.A. RTE.	SECTION	COUNTY	TOTAL SHEETS	SHEET NO.
VAR.	D3 BRIDGE WASHING 2019-1	GRUNDY/LASALLE	30	29
CONTRACT NO. 66K10				
ILLINOIS FED. AID PROJECT				