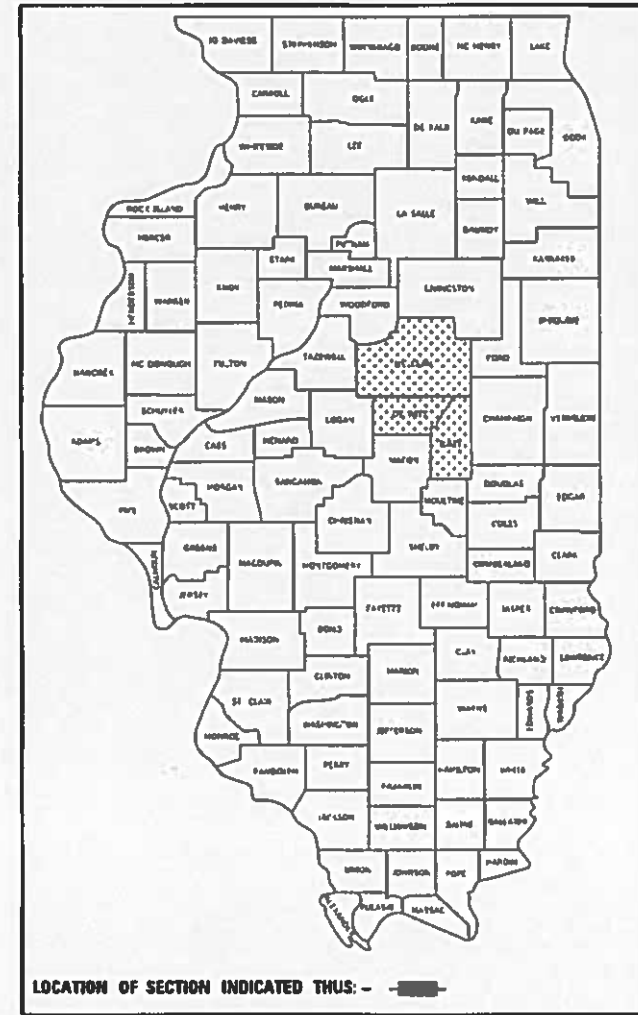


STATE OF ILLINOIS
DEPARTMENT OF TRANSPORTATION

F.A. RTE.	SECTION	COUNTY	TOTAL SHEETS	SHEET NO.
VAR.	**	*	15	1
		ILLINOIS	CONTRACT NO. 70E05	

* MCLEAN, DEWITT & PIATT
** 2019-1 SALT CONTAINMENT

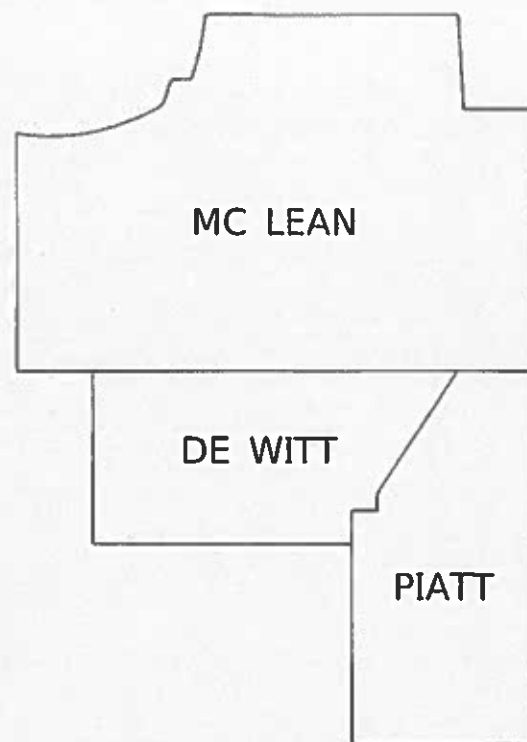
D-95-008-19



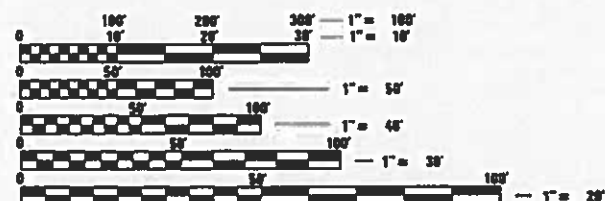
PROPOSED
HIGHWAY PLANS

VARIOUS ROUTES
SECTION 2019-1 SALT CONTAINMENT
MCLEAN, DEWITT & PIATT COUNTIES

C-95-049-19



FOR INDEX OF SHEETS, SEE SHEET NO. 2
FOR SUMMARY OF QUANTITIES, SEE SHEET NO. 3



FULL SIZE PLANS HAVE BEEN PREPARED USING STANDARD ENGINEERING SCALES. REDUCED SIZED PLANS WILL NOT CONFORM TO STANDARD SCALES. IN MAKING MEASUREMENTS ON REDUCED PLANS, THE ABOVE SCALES MAY BE USED.

J.U.L.I.E.
JOINT UTILITY LOCATION INFORMATION FOR EXCAVATORS
1-800-892-0123
OR 811

PROJECT ENGINEER: JASON STULTS
DESIGNER: ROD LASHUAY
PHONE NUMBER: (217)465-4181
CONTRACT NO. 70E05

STATE OF ILLINOIS
DEPARTMENT OF TRANSPORTATION

SUBMITTED 03/19 2019
Kenneth C. Hannett
REGIONAL ENGINEER

May 10 2019
ENGINEER OF DESIGN AND ENVIRONMENT

Paul P. [Signature]
DIRECTOR OF HIGHWAYS PROJECT IMPLEMENTATION

PRINTED BY THE AUTHORITY
OF THE STATE OF ILLINOIS

INDEX OF SHEETS

SHEET NO.	DESCRIPTION
1	COVER SHEET
2	INDEX OF SHEETS
2	HIGHWAY STANDARDS
2	GENERAL OF NOTES
3	SUMMARY OF QUANTITIES
4	SCHEDULE OF QUANTITIES
5 - 13	SITE PLANS
14 - 15	PLAN DETAILS

HIGHWAY STANDARDS

STANDARD NO.	DESCRIPTION
0000001-07	STANDARD SYMBOLS, ABBREVIATIONS AND PATTERNS
001001-02	AREAS OF REINFORCEMENT BARS
001006	DECIMAL OF INCH AND OF A FOOT
701901-08	TRAFFIC CONTROL DEVICES

GENERAL NOTES

G.N.-100A
ELECTRONIC FILES AND/OR ELECTRONIC SURVEY INFORMATION INCLUDING CADD FILES WILL NOT BE AVAILABLE TO THE CONTRACTOR.

G.N.-503 SPL

SYNTHETIC FIBERS SHALL BE TYPE III ACCORDING TO ASTM C 1116. THE SYNTHETIC FIBER SHALL BE A MONOFILAMENT OR BUNDLED MONOFILAMENT WITH A MINIMUM LENGTH OF 1.0 INCH (25MM) AND A MAXIMUM LENGTH OF 2.5 INCH (63MM), AND SHALL HAVE A MAXIMUM ASPECT RATIO (LENGTH DIVIDED BY THE EQUIVALENT DIAMETER OF THE FIBER) OF 150. THE MINIMUM QUANTITY OF SYNTHETIC FIBER(S) ADDED TO THE CONCRETE MIXTURE SHALL BE ACCORDING TO THE DEPARTMENT'S QUALIFIED PRODUCT LIST OF SYNTHETIC FIBERS. THE SYNTHETIC FIBERS SHALL BE ADDED TO THE CONCRETE AND MIXED PER THE MANUFACTURE'S RECOMMENDATION. THE SYNTHETIC FIBERS SHALL BE INCLUDED IN THE COST OF CONCRETE STRUCTURES.

COMMITMENTS

THERE ARE NO COMMITMENTS FOR THIS CONTRACT

MODEL: \\MODEL\MAME
 FILE NAME: \\P:\pub\mcom\mdata\illinois.gov\RWIDOT\Documents\DOT_Offices\District 5\Projects\0570E05\CADDData\CAD\Sheet\0570E05-ht-general.dgn

* MCLEAN, DEWITT & PIATT

USER NAME = piersonbr	DESIGNED -	REVISED -
	DRAWN -	REVISED -
PLOT SCALE = 40.0000 ' / in.	CHECKED -	REVISED -
PLOT DATE = 3/15/2019	DATE -	REVISED -

**STATE OF ILLINOIS
DEPARTMENT OF TRANSPORTATION**

**INDEX OF SHEETS, HIGHWAY STANDARDS
& GENERAL NOTES**

SCALE: NONE SHEET 1 OF 1 SHEETS STA. TO STA.

F.A. RTE.	SECTION	COUNTY	TOTAL SHEETS	SHEET NO.
VAR.	**	-	15	2
** 2019-1 SALT CONTAINMENT			CONTRACT NO. 70E05	
ILLINOIS		FED. AID PROJECT		

SUMMARY OF QUANTITIES

LOCATION OF WORK:	LEROY AND TOWANDA STORAGE	CLINTON STORAGE	MONTICELLO STORAGE
	RURAL MCLEAN COUNTY	RURAL DEWITT COUNTY	RURAL PIATT COUNTY
CONSTRUCTION TYPE CODE:	100% STATE 0044	100% STATE 0044	100% STATE 0044

CODE NO	ITEM	UNIT	TOTAL QUANTITY			
50300225	CONCRETE STRUCTURES	CU YD	170.0	84.0	43.0	43.0
50500105	FURNISHING AND ERECTING STRUCTURAL STEEL	L SUM	1.0	0.5	0.25	0.25
50800205	REINFORCEMENT BARS, EPOXY COATED	POUND	20800.0	10380.0	5210.0	5210.0
67100100	MOBILIZATION	L SUM	1.0	0.5	0.25	0.25

MODEL: 4\MODEL\MAR18
FILE: MAR18_Plan\Irrigation\as04\Illinois.gov\PIWIDOT\Documents\DOT_Offices\District 5\Projects\0570E05\CADDData\CADDsheets\0570E05-rh-500.dgn

* MCLEAN, DEWITT & PIATT

SCHEDULE OF QUANTITIES

50300225 CONCRETE STRUCTURES

MCLEAN COUNTY			
	LEROY STORAGE		42.1 CU YD
	TOWANDA STORAGE		41.9 CU YD
		TOTAL	84.0 CU YD
DEWITT COUNTY			
	CLINTON STORAGE		42.1 CU YD
		TOTAL	43.0 CU YD
PIATT COUNTY			
	MONTICELLO STORAGE		42.1 CU YD
		TOTAL	43.0 CU YD
		PROJECT TOTAL	170.0 CU YD

50800205 REINFORCEMENT BARS, EPOXY COATED

MCLEAN COUNTY			
	LEROY STORAGE		5210.0 POUND
	TOWANDA STORAGE		5170.0 POUND
		TOTAL	10380.0 POUND
DEWITT COUNTY			
	CLINTON STORAGE		5210.0 POUND
		TOTAL	5210.0 POUND
PIATT COUNTY			
	MONTICELLO STORAGE		5210.0 POUND
		TOTAL	5210.0 POUND
		PROJECT TOTAL	20800.0 POUND

50500105 FURNISHING AND ERECTING STRUCTURAL STEEL

MCLEAN COUNTY		(FOR INFORMATION)	
	LEROY STORAGE CONTAINMENT		18950.0 POUND
	LEROY STORAGE STAIRS		2880.0 POUND
	TOWANDA STORAGE CONTAINMENT		18950.0 POUND
		TOTAL	40780.0 POUND
DEWITT COUNTY			
	CLINTON STORAGE CONTAINMENT		18950.0 POUND
	CLINTON STORAGE STAIRS		2880.0 POUND
		TOTAL	21830.0 POUND
PIATT COUNTY			
	MONTICELLO STORAGE CONTAINMENT		18950.0 POUND
	MONTICELLO STORAGE STAIRS		2880.0 POUND
		TOTAL	21830.0 POUND
		PROJECT TOTAL	1.0 LUMP SUM

MODEL: \\MODEL\NAMES
 FILE: \\models\pilot\pilot\commodata\illinois.gov\PIATT\DOT\Documents\DOT_Offices\Dir\trct_5\Projects\0570E05\CADD\data\CAD\Sheet\0570E05-rlt-sched.rles.dgn

* MCLEAN, DEWITT & PIATT

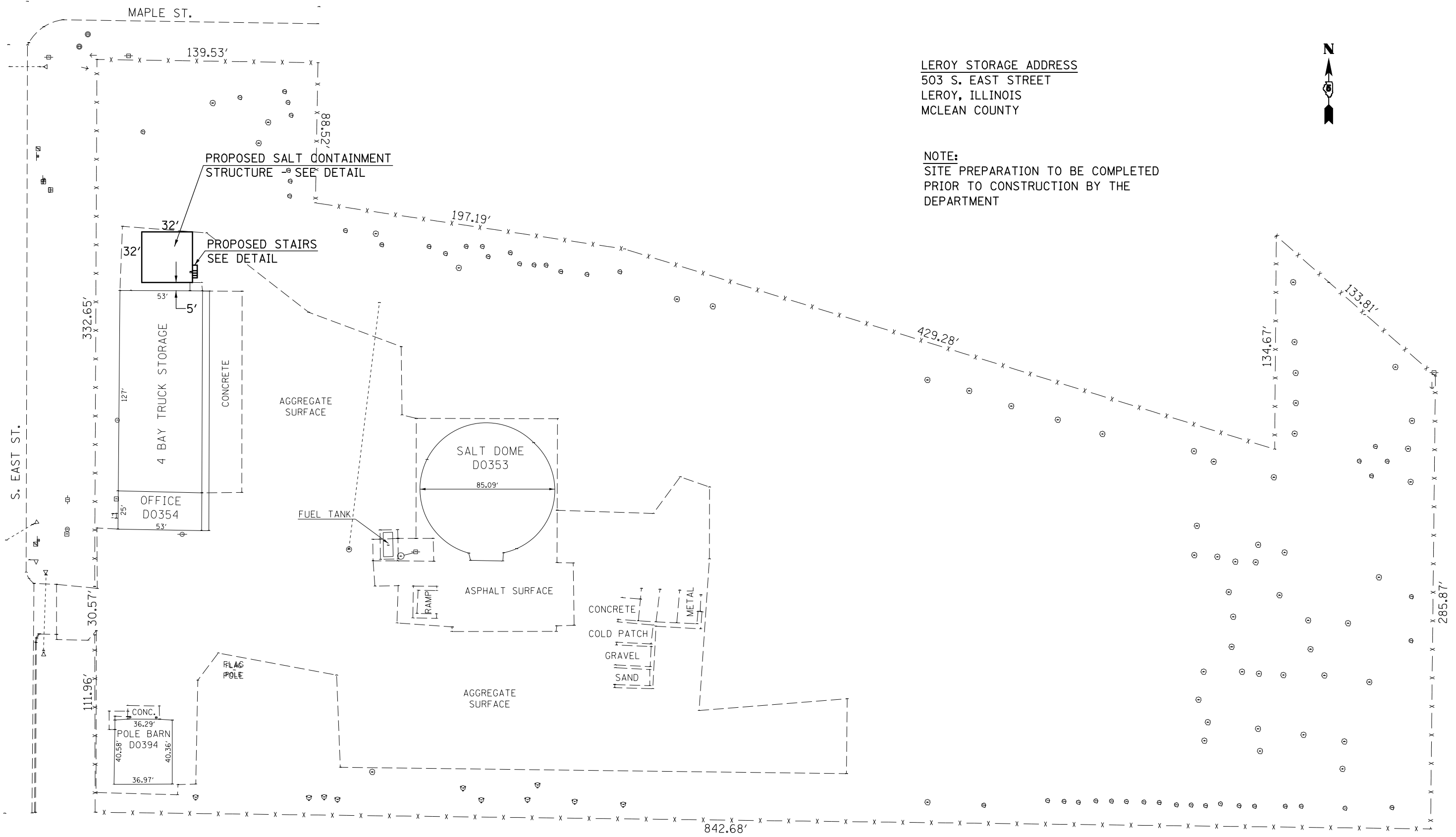
	USER NAME = piersonbr	DESIGNED -	REVISED -	STATE OF ILLINOIS DEPARTMENT OF TRANSPORTATION	SCHEDULE OF QUANTITIES			F.A. RTE.	SECTION	COUNTY	TOTAL SHEETS	SHEET NO.	
		DRAWN -	REVISED -										
	PLOT SCALE = 40.0000 ' / in.	CHECKED -	REVISED -					**				15	4
	PLOT DATE = 3/15/2019	DATE -	REVISED -			SCALE: NONE	SHEET 1	OF 1	SHEETS	STA.	TO STA.		
								** 2019-1 SALT CONTAINMENT				CONTRACT NO. 70E05	
												ILLINOIS FED. AID PROJECT	

LEROY STORAGE SITE PLAN

LEROY STORAGE ADDRESS
 503 S. EAST STREET
 LEROY, ILLINOIS
 MCLEAN COUNTY



NOTE:
 SITE PREPARATION TO BE COMPLETED
 PRIOR TO CONSTRUCTION BY THE
 DEPARTMENT



MODEL: \\MODEL\NAME
 FILE: \\NAME: \\pub\mcom\m.d\illinois\gov\pww\DOT\Documents\DOT - Offices\Director - Projects\0570E05\CADD\DATA\CAD\Sheet\0570E05-pts-SitePlan.dgn

* MCLEAN, DEWITT & PIATT

USER NAME = piersonbr	DESIGNED -	REVISED -
	DRAWN -	REVISED -
PLOT SCALE = 60.0000' / in.	CHECKED -	REVISED -
PLOT DATE = 3/15/2019	DATE -	REVISED -

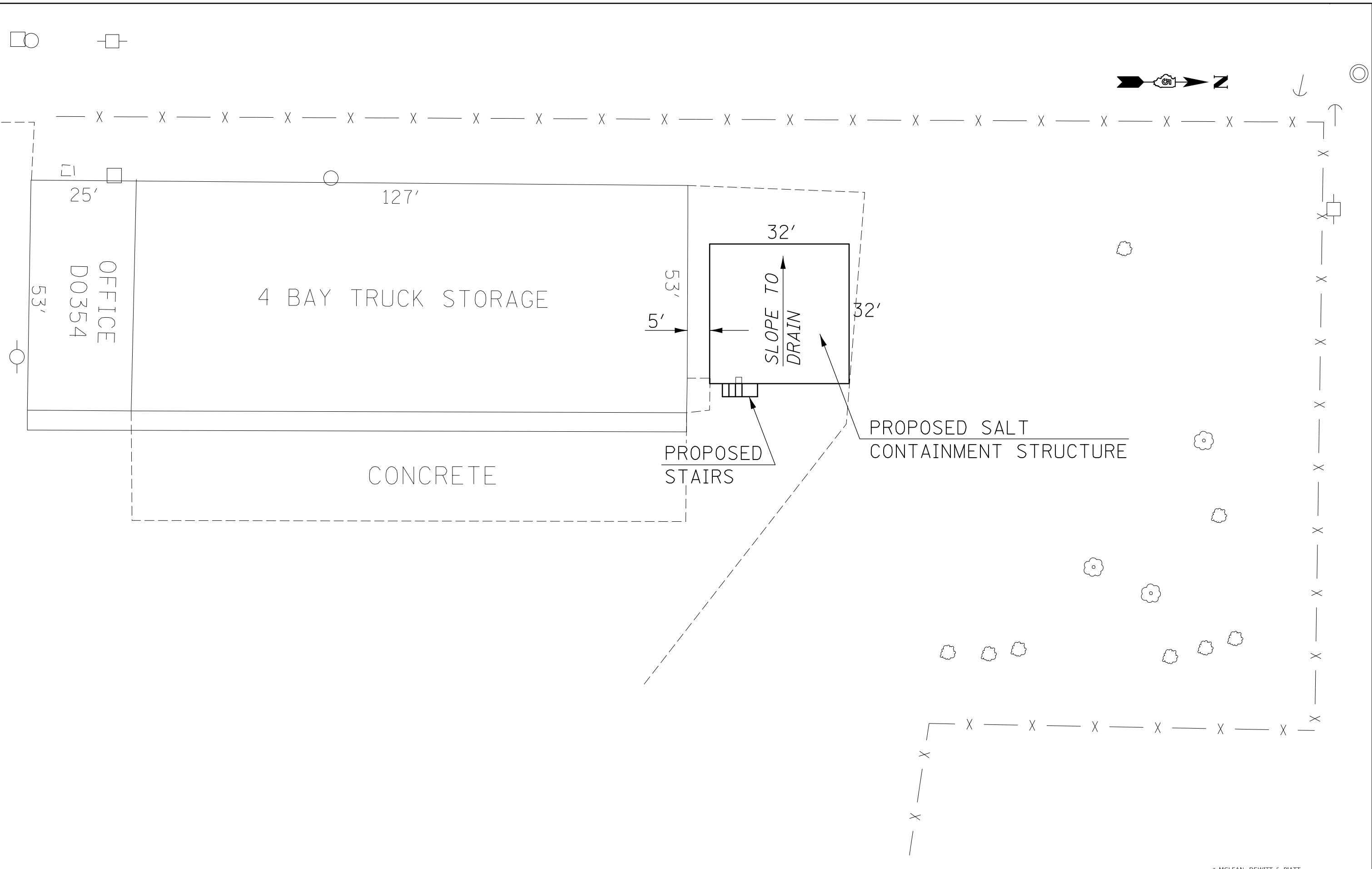
**STATE OF ILLINOIS
 DEPARTMENT OF TRANSPORTATION**

LEROY STORAGE SITE PLAN

SCALE: 1" = 30' SHEET 1 OF 1 SHEETS STA. TO STA.

F.A. RTE.	SECTION	COUNTY	TOTAL SHEETS	SHEET NO.
VAR.	**	-	15	5
** 2019-1 SALT CONTAINMENT			CONTRACT NO. 70E05	
ILLINOIS FED. AID PROJECT				

MODEL: s:\MODEL\NAME: FILE: NAME: s:\pub\mcom\ma\data\illinois.gov\PWIDOT\Documents\IDOT_Offices\IDOT\Projects\ID570E05\CADD\data\CAD\sheet\ID570E05-ht-PropImp.rvt



* MCLEAN, DEWITT & PIATT

USER NAME = piersonbr	DESIGNED -	REVISED -
	DRAWN -	REVISED -
PLOT SCALE = 20.0000 ' / in.	CHECKED -	REVISED -
PLOT DATE = 3/15/2019	DATE -	REVISED -

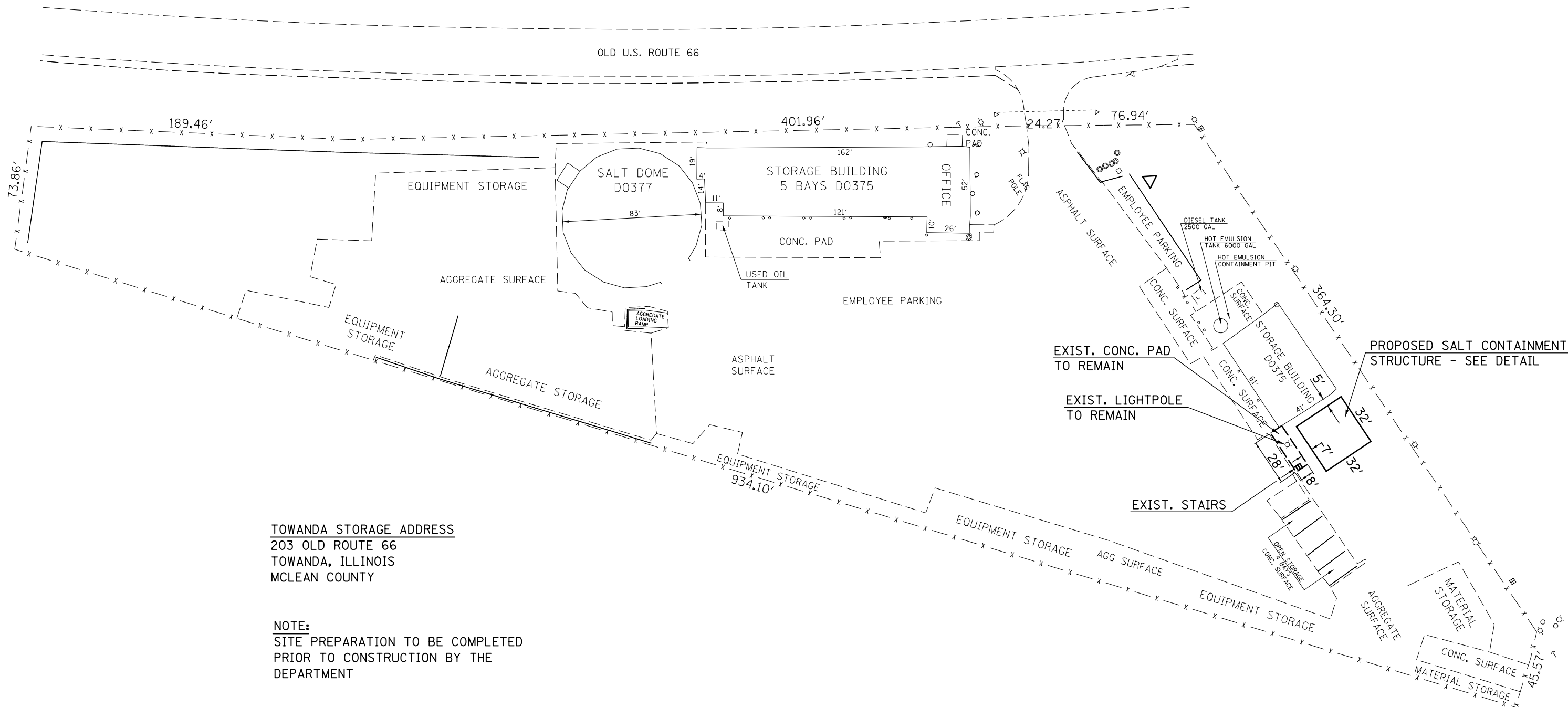
**STATE OF ILLINOIS
DEPARTMENT OF TRANSPORTATION**

**LEROY STORAGE
IMPROVEMENT**

SCALE: 1" = 10' SHEET 1 OF 1 SHEETS STA. TO STA.

F.A. RTE.	SECTION	COUNTY	TOTAL SHEETS	SHEET NO.
VAR.	**	-	15	6
** 2019-1 SALT CONTAINMENT			CONTRACT NO. 70E05	
ILLINOIS FED. AID PROJECT				

TOWANDA STORAGE SITE PLAN



TOWANDA STORAGE ADDRESS
 203 OLD ROUTE 66
 TOWANDA, ILLINOIS
 MCLEAN COUNTY

NOTE:
 SITE PREPARATION TO BE COMPLETED
 PRIOR TO CONSTRUCTION BY THE
 DEPARTMENT

MODEL: s:\MODEL\MHFE
 FILE: mhfe.dwg
 PROJECT: 70E05
 SHEET: 1 OF 1
 DATE: 3/15/2019

* MCLEAN, DEWITT & PIATT

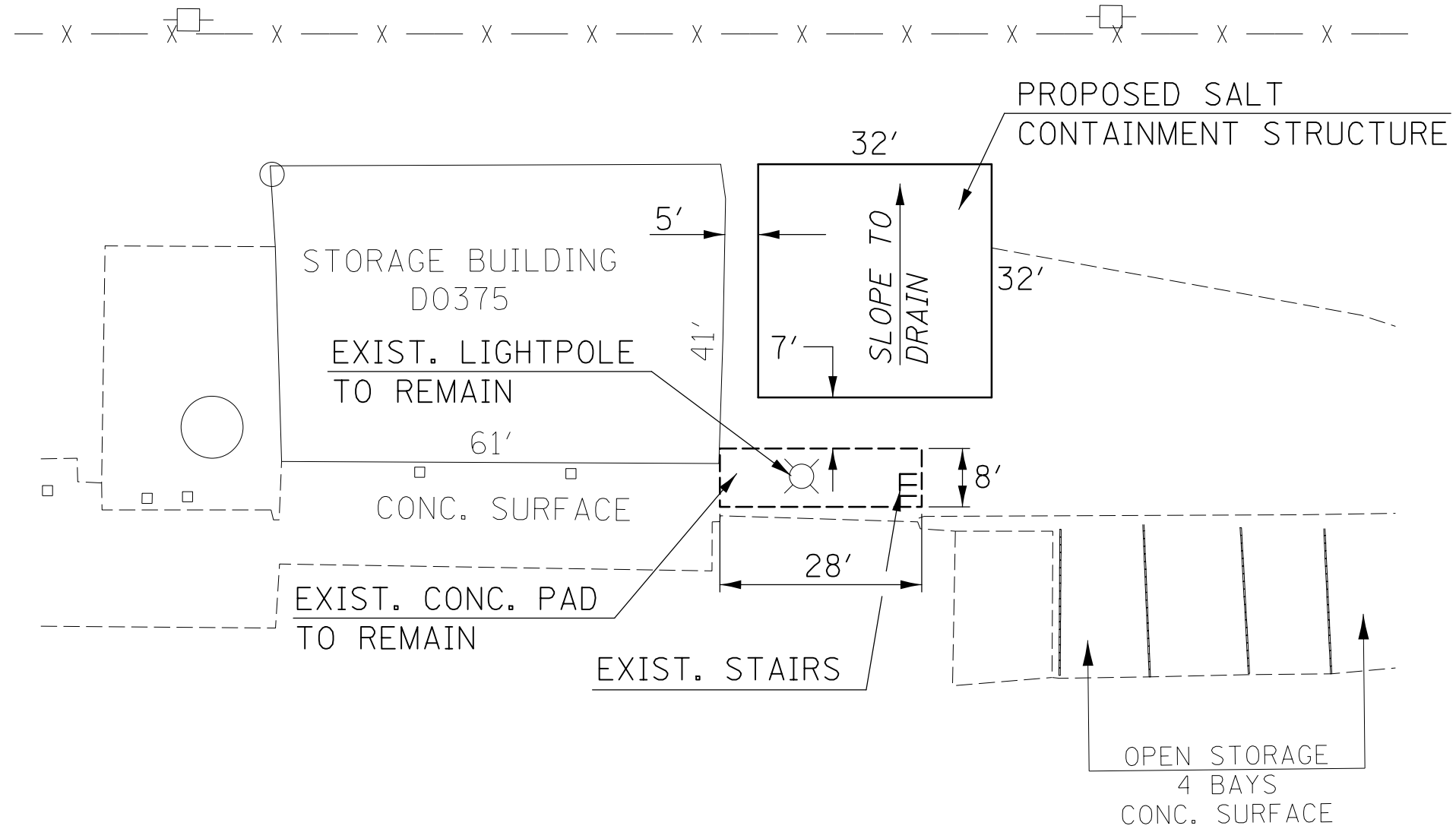
USER NAME = piersonbr	DESIGNED -	REVISED -
	DRAWN -	REVISED -
PLOT SCALE = 60.0000' / in.	CHECKED -	REVISED -
PLOT DATE = 3/15/2019	DATE -	REVISED -

**STATE OF ILLINOIS
 DEPARTMENT OF TRANSPORTATION**

TOWANDA STORAGE SITE PLAN

SCALE: 1" = 30' SHEET 1 OF 1 SHEETS STA. TO STA.

F.A. RTE.	SECTION	COUNTY	TOTAL SHEETS	SHEET NO.
VAR.	**	-	15	7
** 2019-1 SALT CONTAINMENT			CONTRACT NO. 70E05	
ILLINOIS FED. AID PROJECT				



MODEL: \\MODEL\MATF
 FILE: \\matf:pub\pub\commodata\illinois.gov\PW\DOT\Documents\DOT_Offices\District 5\Projects\0570E05\CADD\0570E05-05-PropImp.rvt

* MCLEAN, DEWITT & PIATT

USER NAME = piersonbr	DESIGNED -	REVISED -
	DRAWN -	REVISED -
PLOT SCALE = 20.0000' / in.	CHECKED -	REVISED -
PLOT DATE = 3/15/2019	DATE -	REVISED -

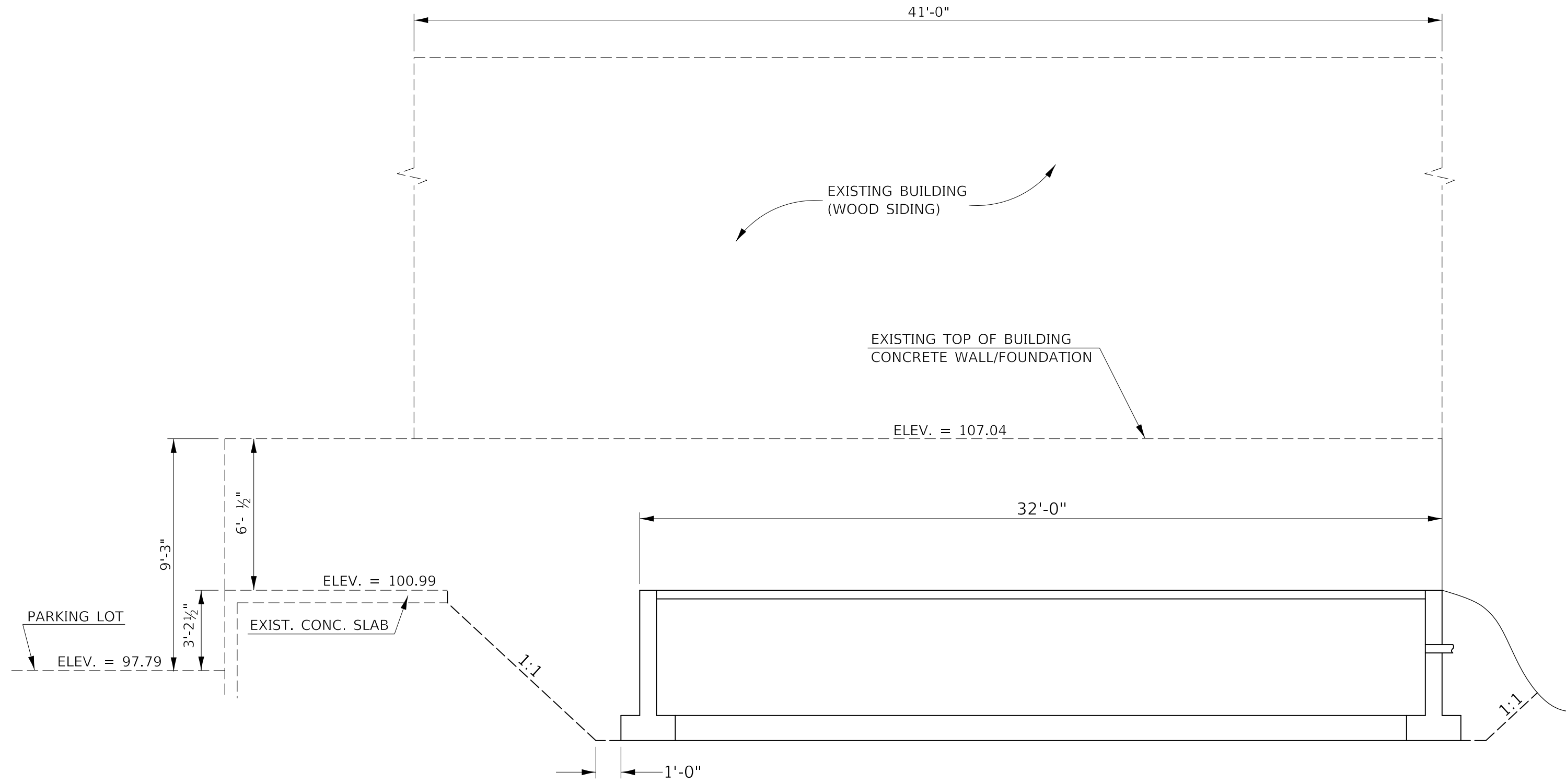
**STATE OF ILLINOIS
DEPARTMENT OF TRANSPORTATION**

**TOWANDA STORAGE
IMPROVEMENTS**

SCALE: 1" = 10' SHEET 1 OF 1 SHEETS STA. TO STA.

F.A. RTE.	SECTION	COUNTY	TOTAL SHEETS	SHEET NO.
VAR.	**	-	15	8
** 2019-1 SALT CONTAINMENT			CONTRACT NO. 70E05	
ILLINOIS FED. AID PROJECT				

MODEL: \\MODEL\NAME: FILE: \\NAME: P:\pub\mcomas\data\illinois\pwr\DOT\Documents\DOT_Offices\District 5\Projects\0570E05\CADD\Drawings\0570E05-eh-Elevation.dgn



* MCLEAN, DEWITT & PIATT

USER NAME = piersonbr	DESIGNED -	REVISED -
	DRAWN -	REVISED -
PLOT SCALE = 4,000 ft / in.	CHECKED -	REVISED -
PLOT DATE = 3/15/2019	DATE -	REVISED -

**STATE OF ILLINOIS
DEPARTMENT OF TRANSPORTATION**

**TOWANDA STORAGE
EAST ELEVATION**

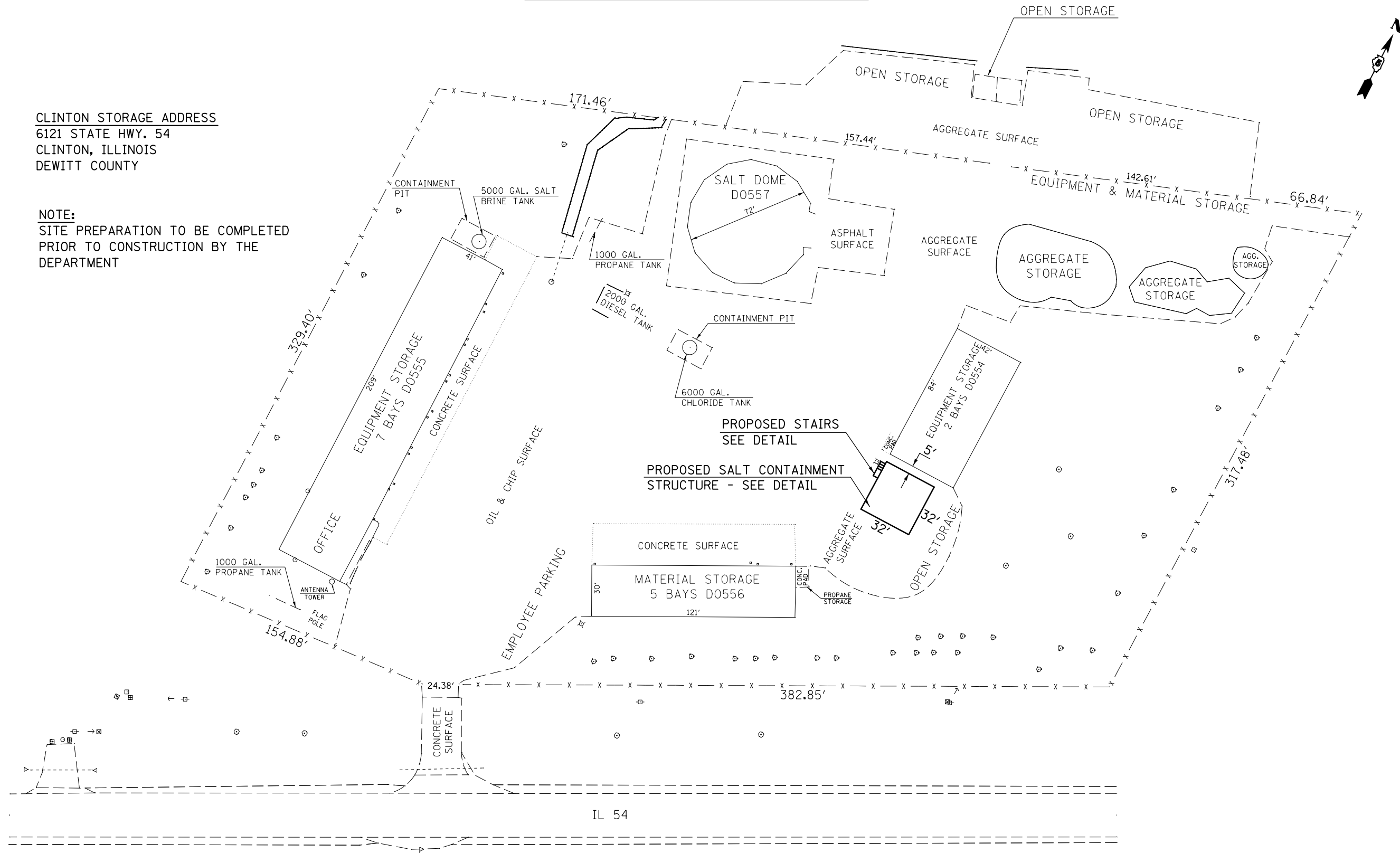
SCALE: 1/4" = 1' SHEET 1 OF 1 SHEETS STA. TO STA.

F.A. RTE.	SECTION	COUNTY	TOTAL SHEETS	SHEET NO.
VAR.	**	*	15	9
** 2019-1 SALT CONTAINMENT			CONTRACT NO. 70E05	
ILLINOIS		FED. AID PROJECT		

CLINTON STORAGE SITE PLAN

CLINTON STORAGE ADDRESS
 6121 STATE HWY. 54
 CLINTON, ILLINOIS
 DEWITT COUNTY

NOTE:
 SITE PREPARATION TO BE COMPLETED
 PRIOR TO CONSTRUCTION BY THE
 DEPARTMENT



MODEL: \\MODEL\NAME
 FILE: \\NAME: \\path\to\file.dwg
 PROJECT: \\PROJECT\NAME
 OFFICE: \\OFFICE\NAME
 DRAWN: \\DRAWN\NAME
 CHECKED: \\CHECKED\NAME
 DATE: \\DATE\MM/DD/YYYY

USER NAME = piersonbr	DESIGNED -	REVISED -
	DRAWN -	REVISED -
PLOT SCALE = 60.0000' / in.	CHECKED -	REVISED -
PLOT DATE = 3/15/2019	DATE -	REVISED -

**STATE OF ILLINOIS
 DEPARTMENT OF TRANSPORTATION**

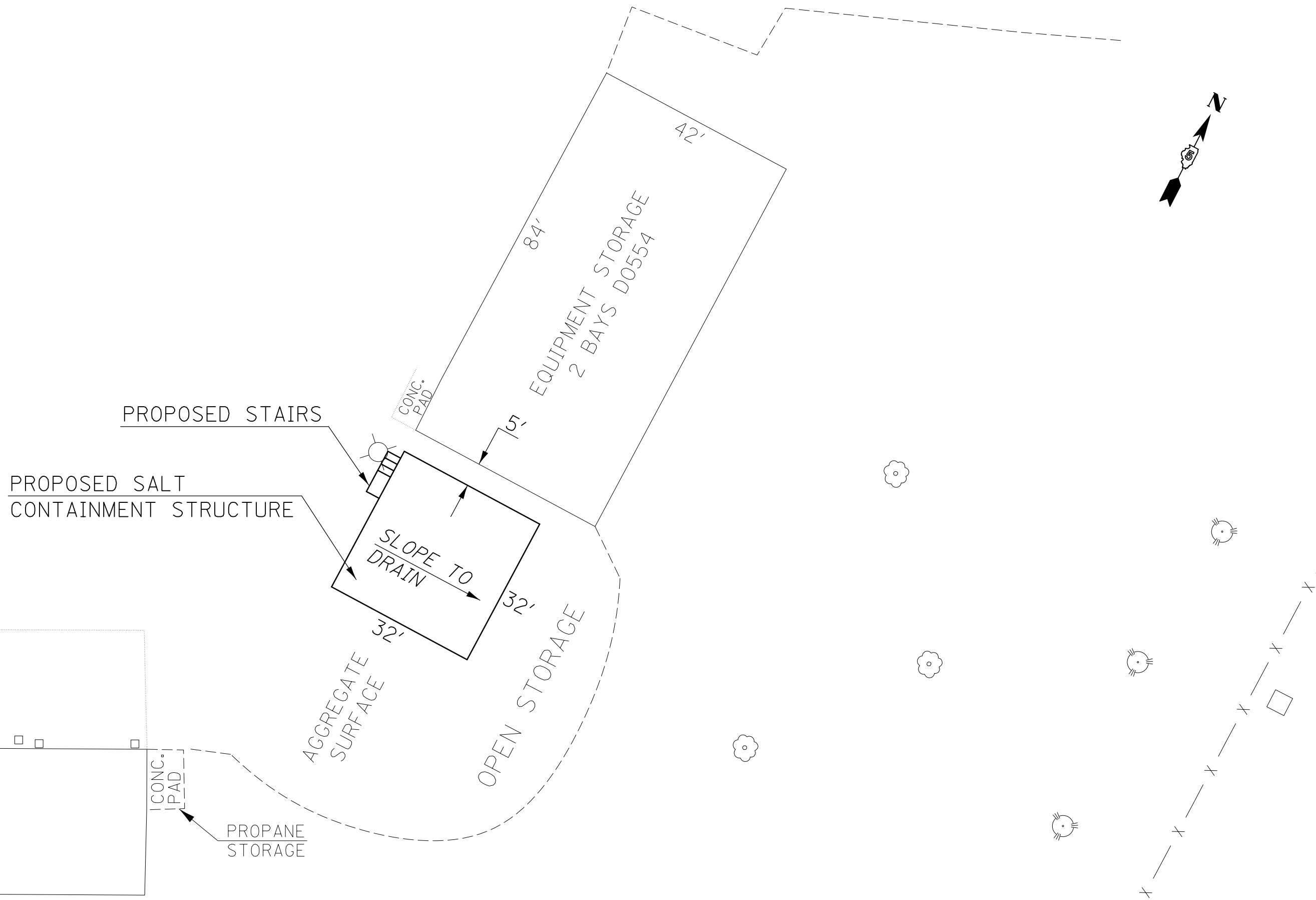
CLINTON STORAGE SITE PLAN

SCALE: 1" = 30' SHEET 1 OF 1 SHEETS STA. TO STA.

F.A. RTE.	SECTION	COUNTY	TOTAL SHEETS	SHEET NO.
VAR.	**	-	15	10
** 2019-1 SALT CONTAINMENT			CONTRACT NO. 70E05	
ILLINOIS FED. AID PROJECT				

* MCLEAN, DEWITT & PIATT

MODEL: \\MODELNAME
 FILE: \\NAME: \\SUBMISSION: \\DATA: \\LINKS: \\G:\P\W\DOT\Documents\DOT - Offices\Dir\ct 5\Projects\0570E05\CADD\DATA\CAD\Sheet\0570E05-ct-PropImpr.dgn



PROPOSED STAIRS
 PROPOSED SALT
 CONTAINMENT STRUCTURE

SLOPE TO
 DRAIN

AGGREGATE
 SURFACE

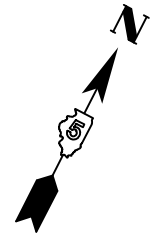
OPEN STORAGE

EQUIPMENT STORAGE
 2 BAYS D0554

CONC. PAD

PROPANE STORAGE

CONC. PAD



* MCLEAN, DEWITT & PIATT

USER NAME = piersonbr	DESIGNED -	REVISED -
	DRAWN -	REVISED -
PLOT SCALE = 20.0000 ' / in.	CHECKED -	REVISED -
PLOT DATE = 3/15/2019	DATE -	REVISED -

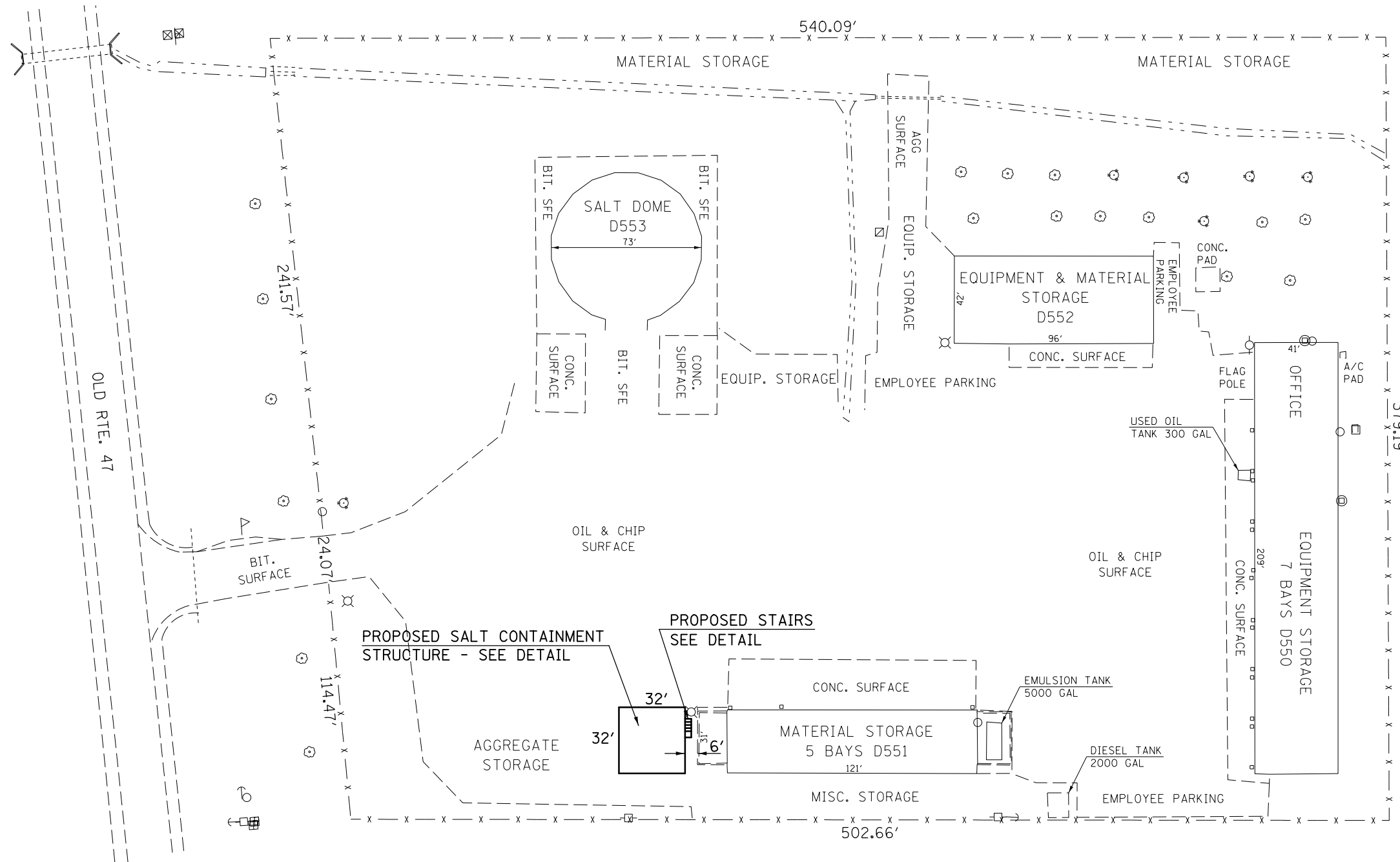
STATE OF ILLINOIS
DEPARTMENT OF TRANSPORTATION

CLINTON STORAGE
IMPROVMENTS

SCALE: 1" = 10' SHEET 1 OF 1 SHEETS STA. TO STA.

F.A. RTE.	SECTION	COUNTY	TOTAL SHEETS	SHEET NO.
VAR.	**	-	15	11
** 2019-1 SALT CONTAINMENT			CONTRACT NO. 70E05	
ILLINOIS FED. AID PROJECT				

MONTICELLO STORAGE SITE PLAN



MONTICELLO STORAGE ADDRESS
 676 E. OLD ROUTE 47
 MONTICELLO, ILLINOIS
 PIATT COUNTY

NOTE:
 SITE PREPARATION TO BE COMPLETED
 PRIOR TO CONSTRUCTION BY THE
 DEPARTMENT

MODEL: \\MODEL\MNTS
 FILE: MNTS_Plan.dwg
 PROJECT: \\PROJECTS\70E05\CADD\DATA\CAD\PIATT\70E05-PIATT-StnPlan.dwg
 OFFICE: \\OFFICE\PIATT

* MCLEAN, DEWITT & PIATT

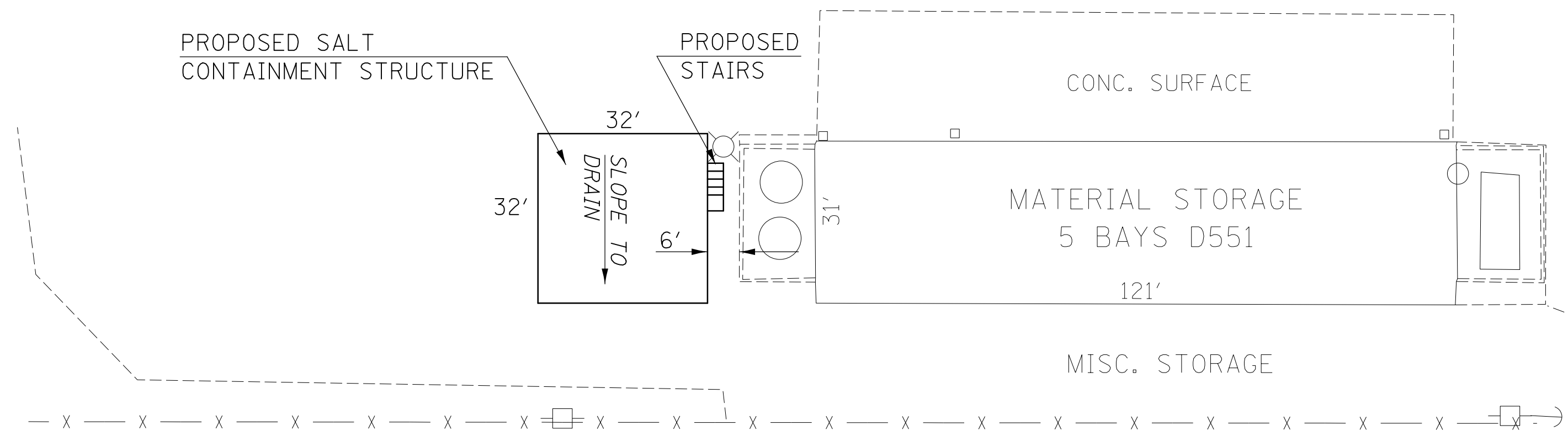
USER NAME = piersonbr	DESIGNED -	REVISED -
	DRAWN -	REVISED -
PLOT SCALE = 60,0000' / in.	CHECKED -	REVISED -
PLOT DATE = 3/15/2019	DATE -	REVISED -

**STATE OF ILLINOIS
 DEPARTMENT OF TRANSPORTATION**

MONTICELLO STORAGE SITE PLAN

SCALE: 1" = 30' SHEET 1 OF 1 SHEETS STA. TO STA.

F.A. RTE.	SECTION	COUNTY	TOTAL SHEETS	SHEET NO.
	**		15	12
** 2019-1 SALT CONTAINMENT			CONTRACT NO. 70E05	
ILLINOIS FED. AID PROJECT				



MODEL: s:\MODEL\MHFE
 FILE: MHFE.dwg
 Path: \\pblm\com\ma\data\illinois\pwr\WIDOT\Documents\DOT_Offices\District_5\Projects\DS70E05\CADD\data\CAD\sheet\DS70E05-ht-PropImp.dwg

USER NAME = ppersonbr	DESIGNED -	REVISED -
	DRAWN -	REVISED -
PLOT SCALE = 20.0000 ' / in.	CHECKED -	REVISED -
PLOT DATE = 3/15/2019	DATE -	REVISED -

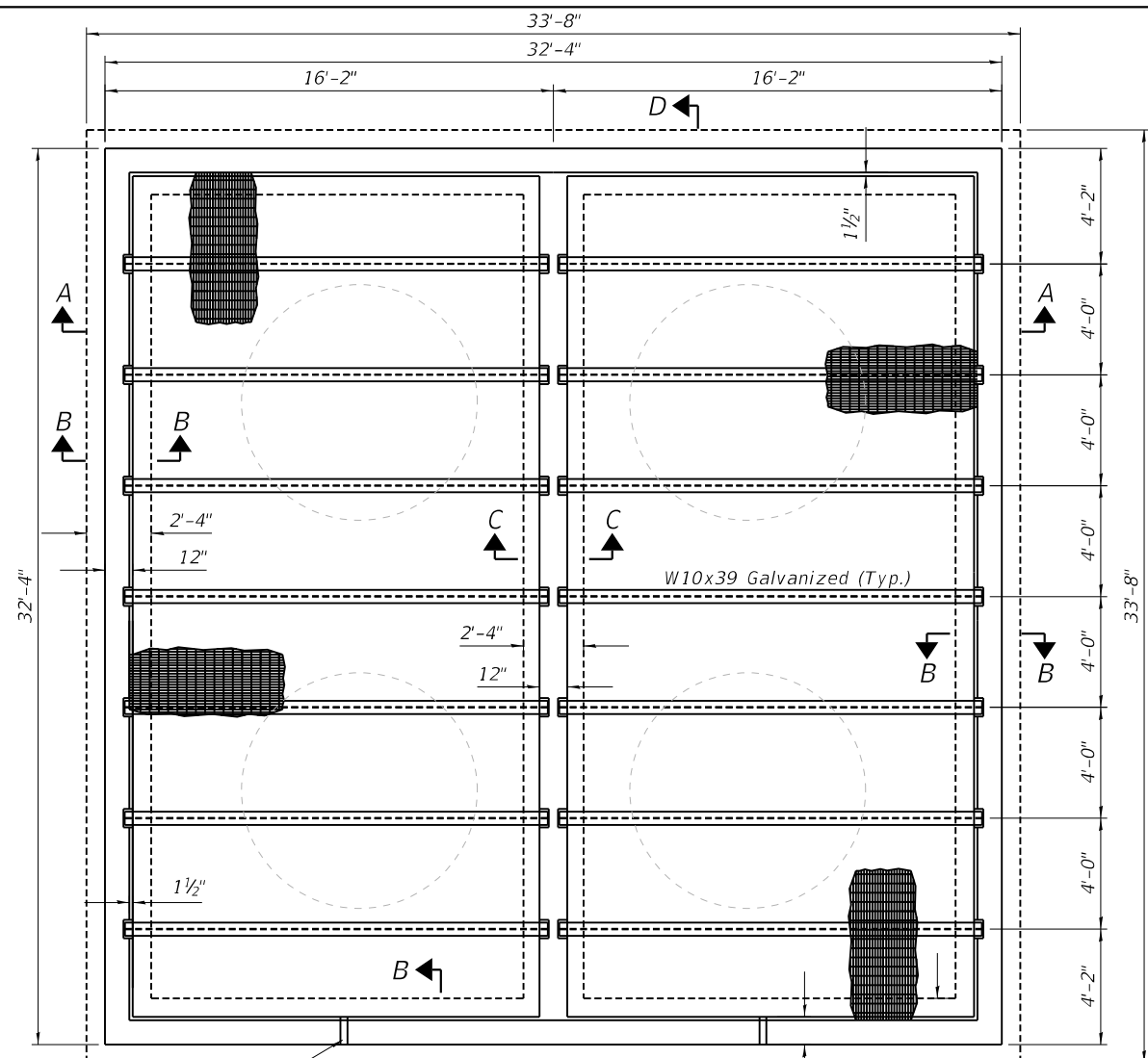
STATE OF ILLINOIS
DEPARTMENT OF TRANSPORTATION

MONTICELLO STORAGE
IMPROVMENTS

SCALE: 1" = 10' SHEET 1 OF 1 SHEETS STA. TO STA.

F.A. RTE.	SECTION	COUNTY	TOTAL SHEETS	SHEET NO.
VAR.	**	-	15	13
** 2019-1 SALT CONTAINMENT			CONTRACT NO. 70E05	
ILLINOIS FED. AID PROJECT				

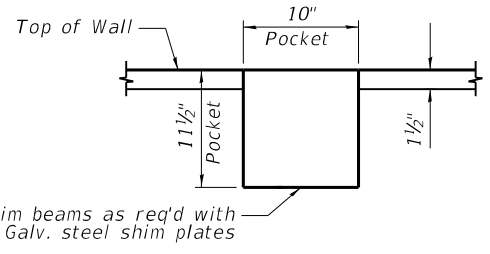
* MCLEAN, DEWITT & PIATT



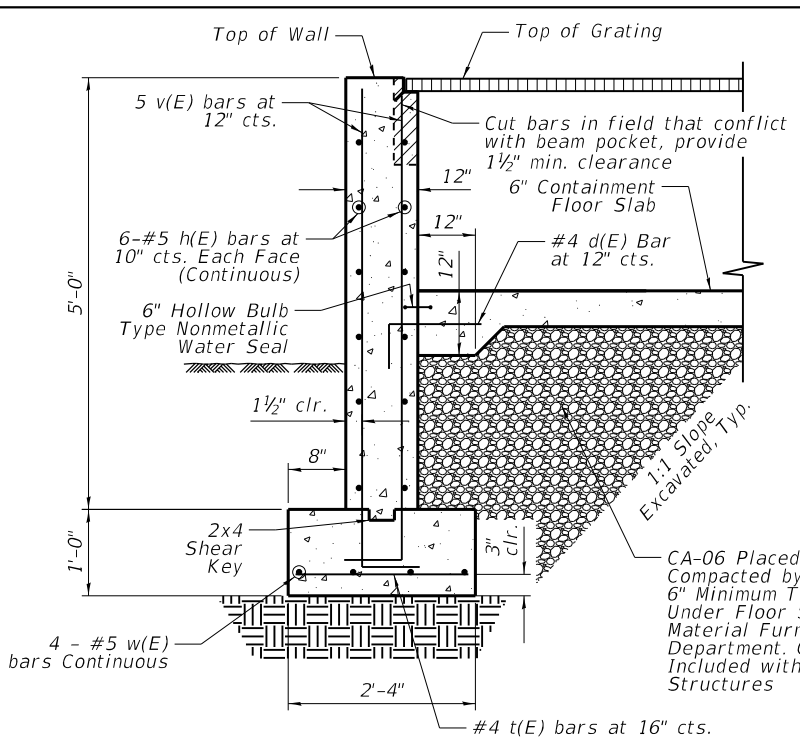
*3" PVC Sleeve Through Concrete Wall With Removable Rubber Stopper Plug (2 Locations) Cost included with Concrete Structures

BILL OF MATERIAL
(Each Location)

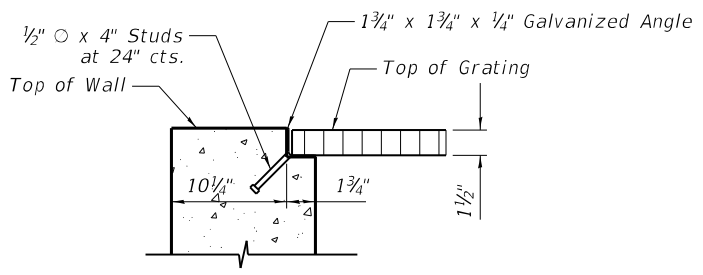
Bar	No.	Size	Length	Shape
d(E)	186	#4	2'-0"	—
h(E)	48	#5	32'-0"	—
h1(E)	12	#5	30'-8"	—
t(E)	100	#4	2'-0"	—
t1(E)	22	#4	2'-0"	—
v(E)	256	#5	6'-4"	—
v1(E)	62	#5	6'-2"	—
w(E)	16	#5	33'-4"	—
w1(E)	4	#5	29'-4"	—
Furnishing and Erecting Structural Steel			L. Sum	
Concrete Structures			Cu. Yd.	41.9
Reinforcement bars, Epoxy Coated			Pound	5,170



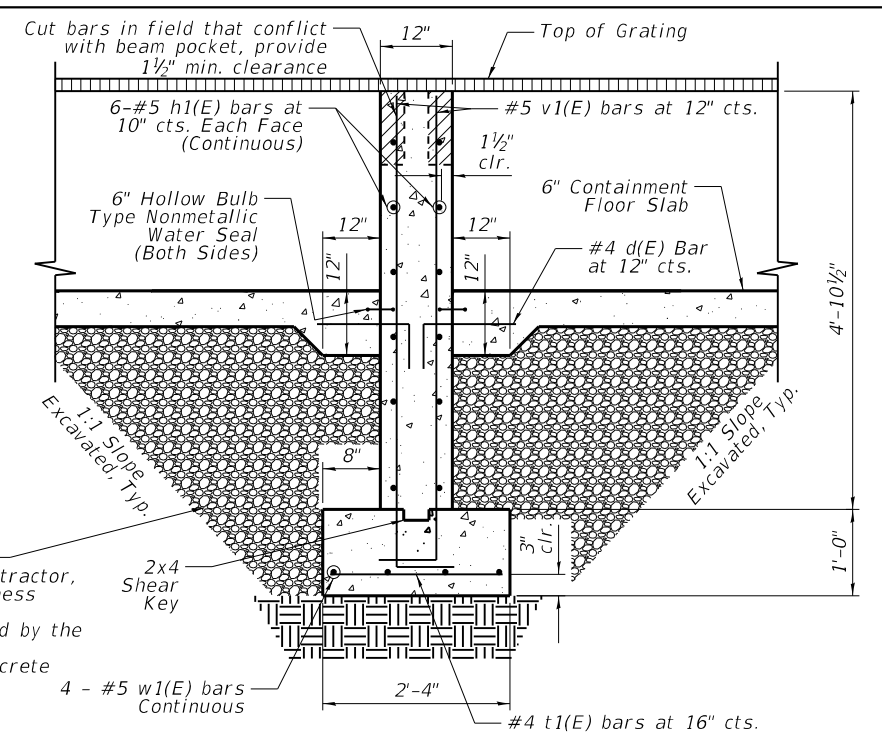
BEAM POCKET DETAIL
*Pocket Depth = 4 inches, Typ.



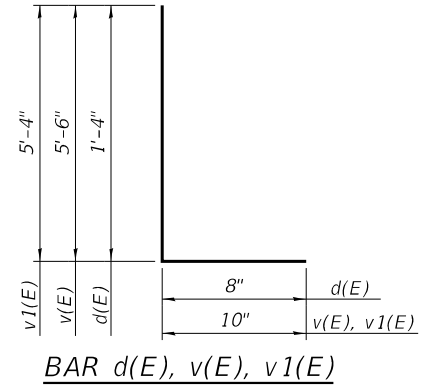
SECTION B-B



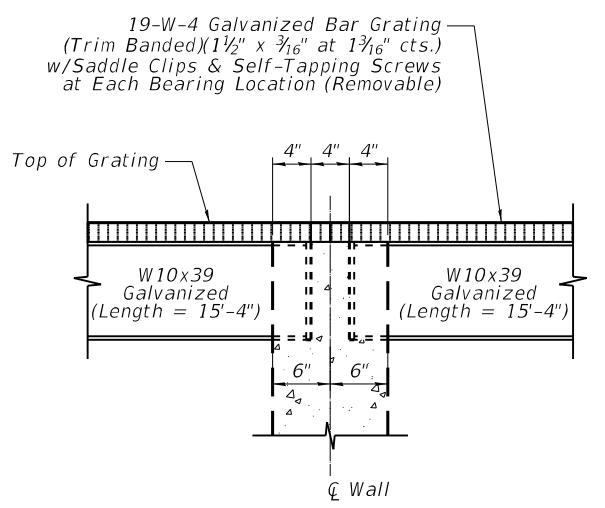
EMBEDDED GALVANIZED ANGLE DETAIL



SECTION C-C



BAR d(E), v(E), v1(E)



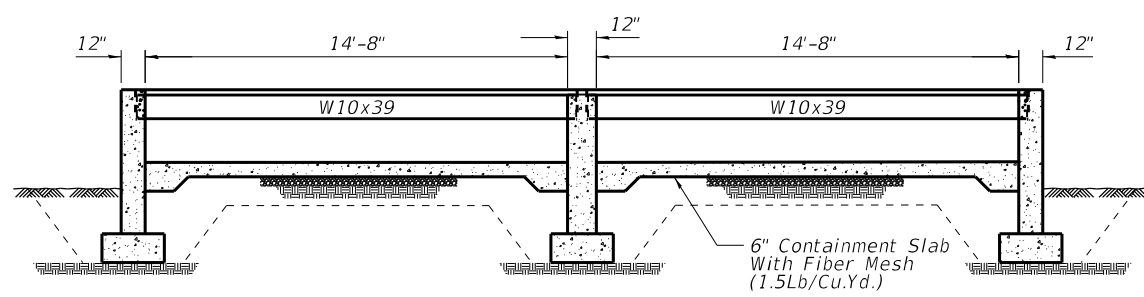
INTERIOR WALL BEARING DETAIL

DESIGN STRESSES

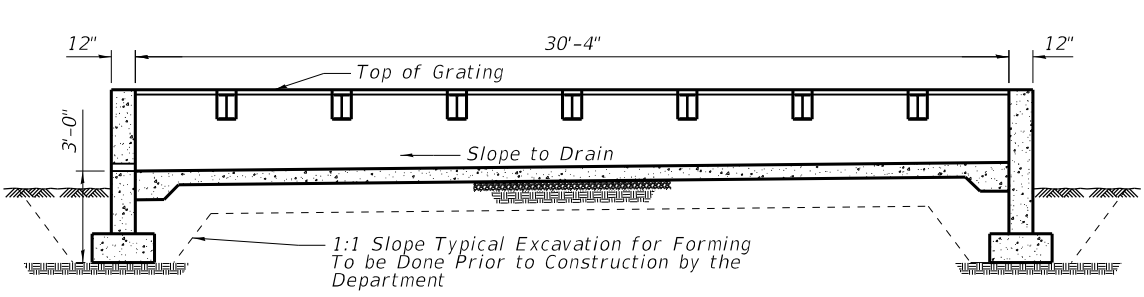
FIELD UNITS
 $f'_c = 3,500$ psi
 $f_y = 60,000$ psi (Reinforcement)
 $f_y = 36,000$ psi (ASTM A36, Angles)

GENERAL NOTES

Calculated weight of Structural Steel (Per Site):
 Bar Grating for Concrete Containment Structure = 10,240 lbs.
 Steel Beams and Embedded Angles for Concrete Containment Structure = 8,710 lbs.
 All Structural Steel shall be AASHTO M 270 Grade 36 for plates, channels, and angles & ASTM A500, Gr B for HSS.
 No field welding is permitted except as specified in the contract documents.
 Reinforcement bars designated (E) shall be epoxy coated.
 All Structural Steel, Bar Grating, and Hardware shall be galvanized according to AASHTO M111 or M232 as applicable.



SECTION A-A



SECTION D-D



Signature: *Adam Bohnhoff*
 Date: March 15, 2019
 Licensed Structural Engineer
 State of Illinois No.
 081-087431
 Expires 11-30-2020



USER NAME = wkwistler	DESIGNED - ADB	REVISED -
PLOT SCALE = 5:8.0000' 1" / in.	DRAWN - WMK	REVISED -
PLOT DATE = 3/15/2019	CHECKED - ADB	REVISED -
	DATE - 02/20/2019	REVISED -

STATE OF ILLINOIS
 DEPARTMENT OF TRANSPORTATION

LERoy, TOWANDA, MONTICELLO AND CLINTON STORAGES
 SALT CONTAINMENT STRUCTURE DETAILS

SECTION	COUNTY	TOTAL SHEETS	SHEET NO.
2019-1 SALT CONTAINMENT	VARIOUS	15	14
CONTRACT NO. 70E05			

SCALE: _____ SHEET _____ OF 14 SHEETS STA. _____ TO STA. _____

ILLINOIS FED. AID PROJECT

GENERAL NOTES

Calculated weight of Structural Steel (Per Site):

Stair Assembly = 2,880 lbs.

All Structural Steel shall be AASHTO M 270 Grade 36 for plates, channels, and angles & ASTM A500, Gr B for HSS.

No field welding is permitted except as specified in the contract documents.

Reinforcement bars designated (E) shall be epoxy coated.

All Structural Steel, Railing, Bar Grating, and Hardware shall be galvanized according to AASHTO M111 or M232 as applicable.

DESIGN STRESSES

FIELD UNITS

$f'_c = 3,500$ psi

$f_y = 60,000$ psi (Reinforcement)

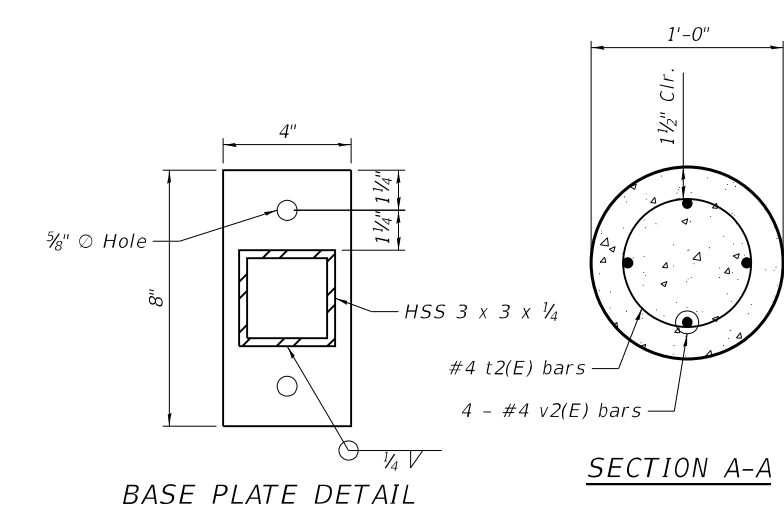
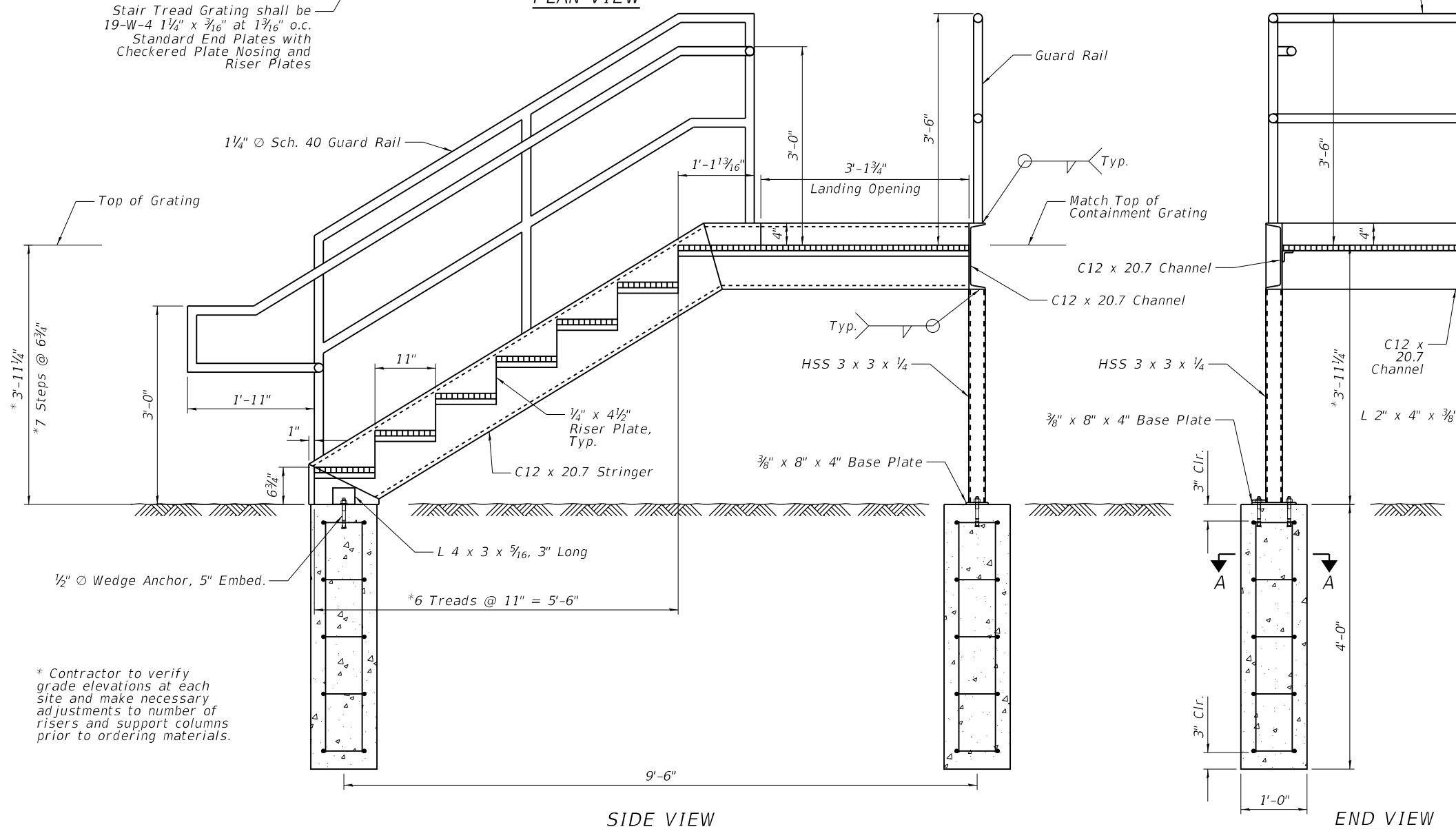
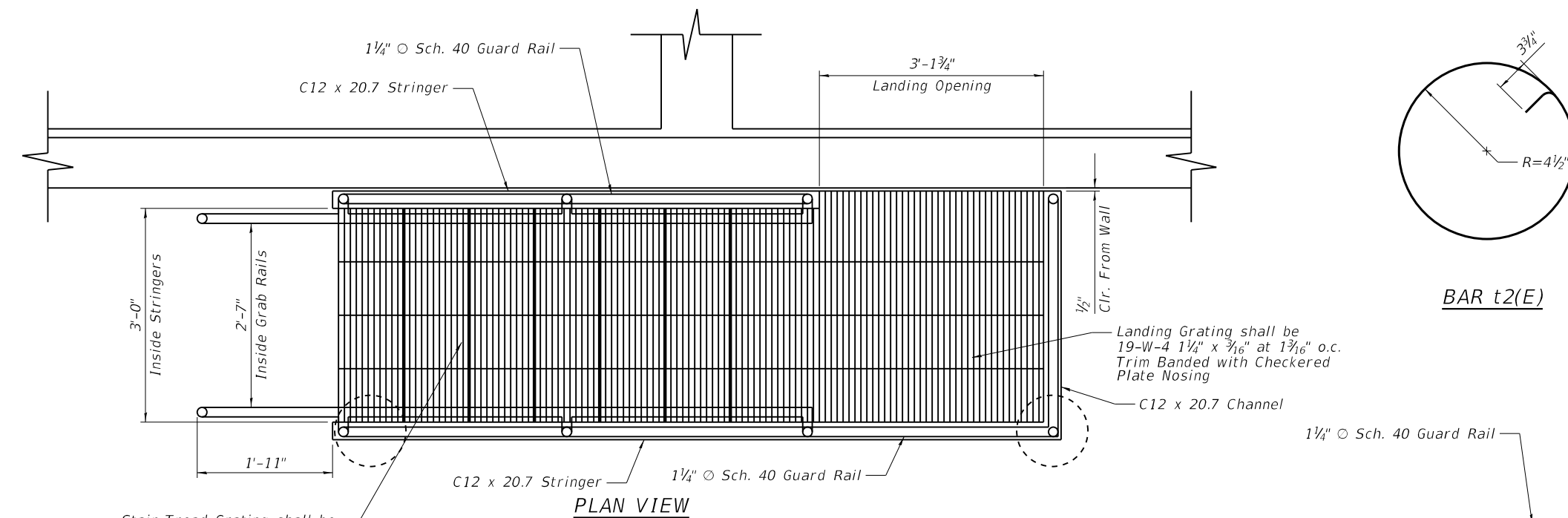
$f_y = 36,000$ psi (ASTM A36, Plates, Channel, Angles)

$f_y = 46,000$ psi (ASTM A500, Gr B., HSS)

BILL OF MATERIAL

(Each Location)

Bar	No.	Size	Length	Shape
t2(E)	10	#4	2'-8"	○
v2(E)	8	#4	3'-8"	—
Furnishing and Erecting Structural Steel				L. Sum
Concrete Structures				Cu. Yd. 0.2
Reinforcement bars, Epoxy Coated				Pound 40



* Contractor to verify grade elevations at each site and make necessary adjustments to number of risers and support columns prior to ordering materials.



CIVIL DESIGN, INC.
WBE / DBE
EFFINGHAM, IL
LICENSE # 184.003222

USER NAME = wkistler
PLOT SCALE = 5:0.0000 '1' / in.
PLOT DATE = 3/15/2019

DESIGNED - ADB
DRAWN - WMK
CHECKED - ADB
DATE - 02/20/2019

REVISED -
REVISED -
REVISED -
REVISED -

STATE OF ILLINOIS
DEPARTMENT OF TRANSPORTATION

LERoy, TOWANDA, MONTICELLO AND CLINTON STORAGES
SALT CONTAINMENT STRUCTURE DETAILS

SCALE: _____ SHEET _____ OF 14 SHEETS STA. _____ TO STA. _____

SECTION	COUNTY	TOTAL SHEETS	SHEET NO.
2019-1 SALT CONTAINMENT	VARIOUS	15	15
CONTRACT NO. 70E05			

ILLINOIS FED. AID PROJECT