

STATE OF ILLINOIS
DEPARTMENT OF TRANSPORTATION

F.A.P. RTE.	SECTION	COUNTY	TOTAL SHEETS	SHEET NO.
VAR	CLV-ADAMS, PIKE 2019	VARIOUS	9	1
		ILLINOIS	CONTRACT NO. 72K88	

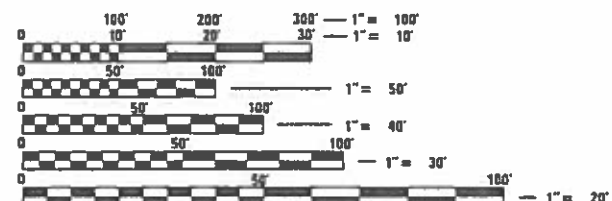
103

FOR INDEX OF SHEETS, SEE SHEET NO. 2

PROPOSED IMPROVEMENTS

FAP 502, FAP 304 (IL 57, IL 96)
SECTION CLV-ADAMS, PIKE 2019
CULVERT LINERS

ADAMS & PIKE CO.
C-96-008-19



FULL SIZE PLANS HAVE BEEN PREPARED USING STANDARD ENGINEERING SCALES. REDUCED SIZED PLANS WILL NOT CONFORM TO STANDARD SCALES. IN MAKING MEASUREMENTS ON REDUCED PLANS, THE ABOVE SCALES MAY BE USED.

J.U.L.I.E.
JOINT UTILITY LOCATION INFORMATION FOR EXCAVATION
1-800-892-0123
OR 811

PROJECT ENGINEER : MIKE IRWIN - (217)524-7765
PROJECT MANAGER : SHANNON NICHOLSON - (217)785-5836

CONTRACT NO. 72K88

STATE OF ILLINOIS
DEPARTMENT OF TRANSPORTATION

SUBMITTED 29 March 2019

[Signature]
REGION FOUR ENGINEER

May 10 2019
ENGINEER OF DESIGN AND ENVIRONMENT

May 10 2019
DIRECTOR OF HIGHWAY PROJECT IMPLEMENTATION

PRINTED BY THE AUTHORITY
OF THE STATE OF ILLINOIS

INDEX OF SHEETS

SHEET NO.	DESCRIPTION
1.	COVER SHEET
2.	INDEX OF SHEETS, STANDARDS, GENERAL NOTES & SIGNATURES
3.	SUMMARY OF QUANTITIES
4. -7.	PROJECT LOCATION MAPS
8. -9.	TYPICALS

STANDARDS

STANDARD NO.	DESCRIPTION
701001-02	OFF RD OP-2L2W-15 FT MIN FROM EOP
701006-05	OFF RD OP-2L2W-15 FT TO EOP
701201-05	LANE CLOSURE, 2L, 2W, DAY ONLY, FOR SPEEDS > 45 MPH
701301-04	LANE CLOSURE, 2L, 2W, SHORT TERM OPERATIONS
701901-08	TRAFFIC CONTROL DEVICES

GENERAL NOTES:

CULVERT LINER SHALL BE INSTALLED IN ACCORDANCE WITH APPLICABLE SECTIONS OF SECTION 543 OF THE STANDARD SPECIFICATIONS. PRIOR TO ORDERING THE INSERTION PIPE, THE EXISTING CULVERT SHALL BE INSPECTED BY THE CONTRACTOR AND THE ENGINEER TO AGREE ON THE MAXIMUM DIAMETER OF PIPE INSERTION TO INSTALL DUE TO SIZE AND CONDITION OF THE EXISTING CULVERT. THIS WILL WAIVE THE REQUIREMENT OF NOTE 1 IN ARTICLE 543.02.

**STATE OF ILLINOIS
DEPARTMENT OF TRANSPORTATION
DIVISION OF HIGHWAYS
DISTRICT 6**

EXAMINED 29 March 2019

[Signature]
ENGINEER OF OPERATIONS

EXAMINED 29 March 2019

[Signature]
ENGINEER OF PROJECT IMPLEMENTATION

EXAMINED March 20 2019

[Signature]
ENGINEER OF PROGRAM DEVELOPMENT

FILE NAME =	USER NAME = nicholson1	DESIGNED - _____	REVISED - _____	STATE OF ILLINOIS DEPARTMENT OF TRANSPORTATION	INDEX OF SHEETS, STANDARDS GENERAL NOTES, SIGNATURES	F.A.P. RTE.	SECTION	COUNTY	TOTAL SHEETS	SHEET NO.
S:\CONTRMINT_CAD\72K88 - FAP 502 (IL 57) - CULVERT LINER - ADAMS CD\PLANS\72K88-9.dwg	DMS	CHECKED - _____	REVISED - _____			VAR	CLV-ADAMS, PIKE 2019	VARIOUS	9	2
Default	PLOT SCALE = 40.0000' / 1" in.	DATE - _____	REVISED - _____			SCALE: _____ SHEET _____ OF _____ SHEETS STA. _____ TO STA. _____		CONTRACT NO. 72K88		ILLINOIS FED. AID PROJECT
	PLOT DATE = 3/25/2019									

CODE NO.	ITEM	UNIT	TOTAL QUANTITY	0-01625-6012	0-01625-6012
				100% STATE	100% STATE
				ADAMS	PIKE
				ROADWAY	ROADWAY
				0044	0044
RURAL	RURAL				
54390230	INSERTION CULVERT LINER 36"	FOOT	120	120	0
54390210	INSERTION CULVERT LINER 30"	FOOT	125	0	125
54390180	INSERTION CULVERT LINER 24"	FOOT	37	0	37
67100100	MOBLIZATION	L SUM	1	0.5	0.5
70100450	TRAFFIC CONTROL AND PROTECTION, STANDARD 701201	L SUM	1	0.5	0.5



LOCATION #1 (ADAMS COUNTY)
 36" CMP 120' L.F.
 STA. 211+71.00

FILE NAME =	USER NAME = nicholson1	DESIGNED - _____	REVISED - _____
S:\CONTRMAINT_CAD\72K88 - F&P 502 (IL 5)	CLV - CULVERT LINER - ADAMS CD\PLANS\72K88-502.dwg	CHECKED - _____	REVISED - _____
Default	PLDT SCALE = 40,0000' / in.	DATE - _____	REVISED - _____
	PLDT DATE = 3/25/2019		

**STATE OF ILLINOIS
 DEPARTMENT OF TRANSPORTATION**

LOCATION MAP

SCALE: _____ SHEET _____ OF _____ SHEETS STA. _____ TO STA. _____

F.A.P. RTE.	SECTION	COUNTY	TOTAL SHEETS	SHEET NO.
VAR	CLV-ADAMS, PIKE 2019	VARIDUS	9	4
CONTRACT NO. 72K88			ILLINOIS FED. AID PROJECT	



LOCATION #2 (PIKE COUNTY)
 30" CMP 37' L.F.
 STA. 449+25

FILE NAME =	USER NAME = nicholson1	DESIGNED - _____	REVISED - _____
S:\CONTRM\INT.CAD\72K88 - FAP 502 (IL 5)	CLV - CULVERT LINER - ADAMS CD\PLANS\72K88	CHECKED - _____	REVISED - _____
Default	PLT SCALE = 40.0000' / in.	DATE - _____	REVISED - _____
	PLT DATE = 3/25/2019		

**STATE OF ILLINOIS
 DEPARTMENT OF TRANSPORTATION**

LOCATION MAP

SCALE: _____ SHEET _____ OF _____ SHEETS STA. _____ TO STA. _____

F.A.P. RTE.	SECTION	COUNTY	TOTAL SHEETS	SHEET NO.
VAR	CLV-ADAMS, PIKE 2019	VARIDUS	9	5
CONTRACT NO. 72K88			ILLINOIS FED. AID PROJECT	



LOCATION #3 (PIKE COUNTY)
 30" CMP 45' L.F.
 STA. 812+35

LOCATION #4 (PIKE COUNTY)
 24" CMP 37' L.F.
 STA. 861+70

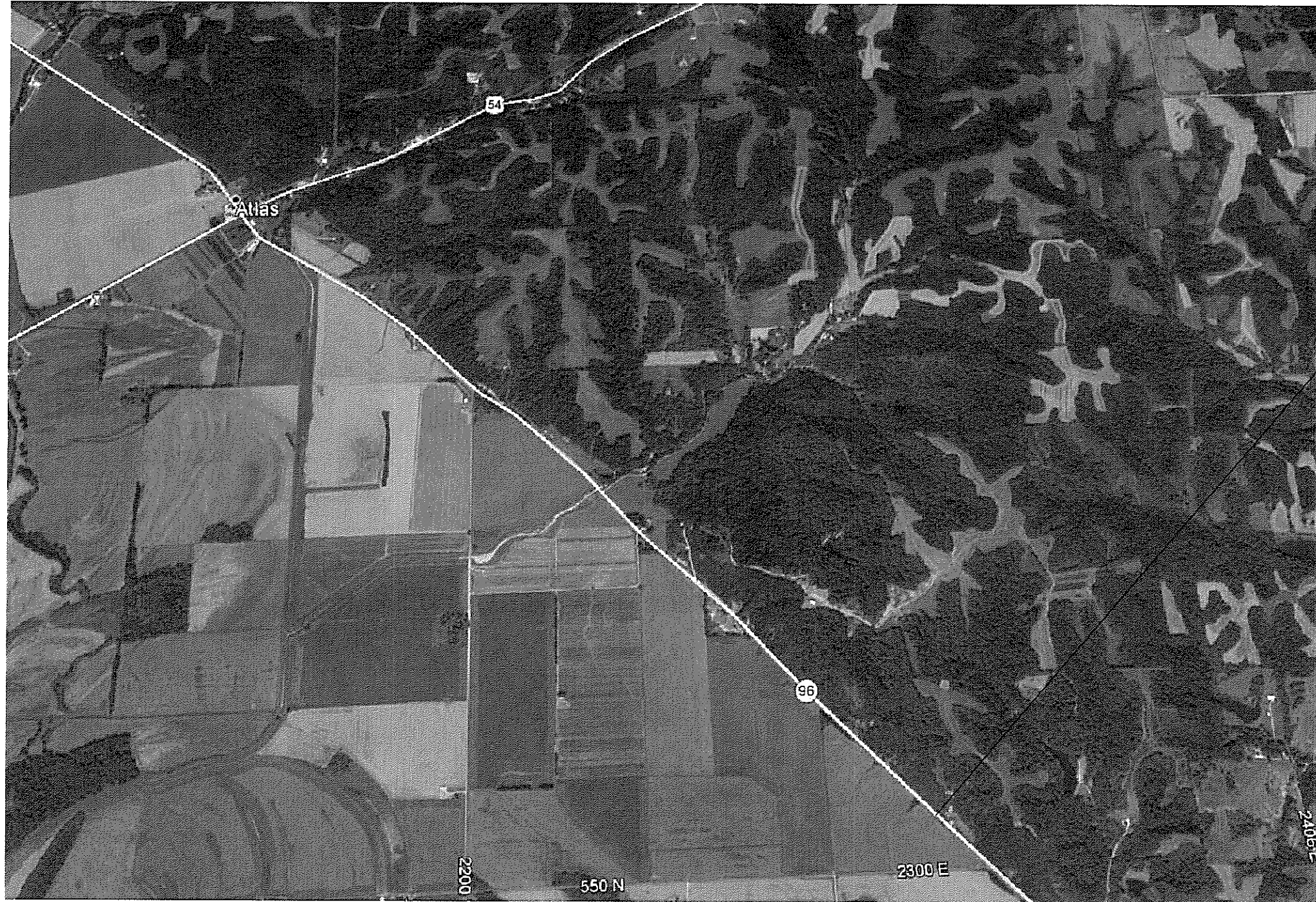
FILE NAME =	USER NAME = nicholson1	DESIGNED - _____	REVISED - _____
S:\CONTRACTS\72K88 - FAP 502 (IL 5)	72K88 - CULVERT LINER - ADAMS CO\PLANS\72K88-5	CHECKED - _____	REVISED - _____
Default		DATE - _____	REVISED - _____

**STATE OF ILLINOIS
 DEPARTMENT OF TRANSPORTATION**

LOCATION MAP

SCALE: _____ SHEET _____ OF _____ SHEETS STA. _____ TO STA. _____

F.A.P. RTE.	SECTION	COUNTY	TOTAL SHEETS	SHEET NO.
VAR	CLV-ADAMS, PIKE 2019	VARIOUS	9	6
CONTRACT NO. 72K88			ILLINOIS FED. AID PROJECT	



LOCATION #5 (PIKE COUNTY)
 30' CMP 43' L.F.
 STA. 1116+32

FILE NAME =	USER NAME = nicholson	DESIGNED - _____	REVISED - _____
S:\CONTRACTS\72K88 - FAP 502 (IL 57) - CULVERT LINER - ADAMS COMPLANS\72K88 - DRAWINGS\dgn		CHECKED - _____	REVISED - _____
Default		DATE - _____	REVISED - _____

**STATE OF ILLINOIS
 DEPARTMENT OF TRANSPORTATION**

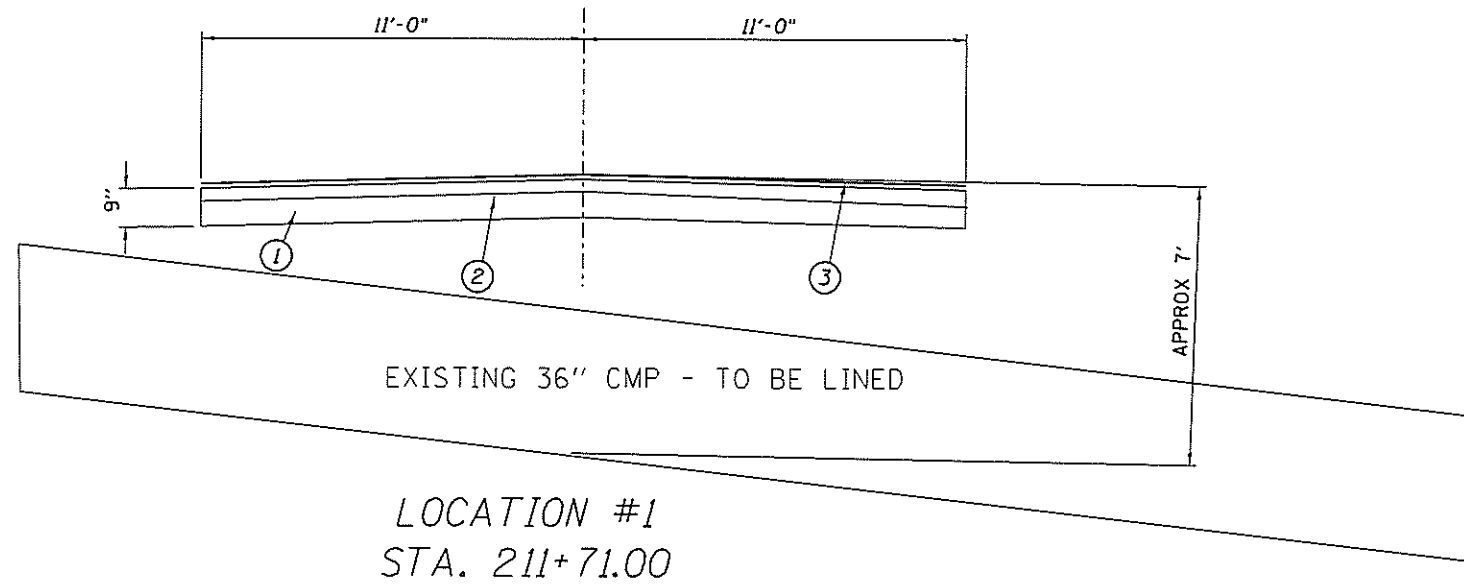
LOCATION MAP

SCALE: _____ SHEET _____ OF _____ SHEETS STA. _____ TO STA. _____

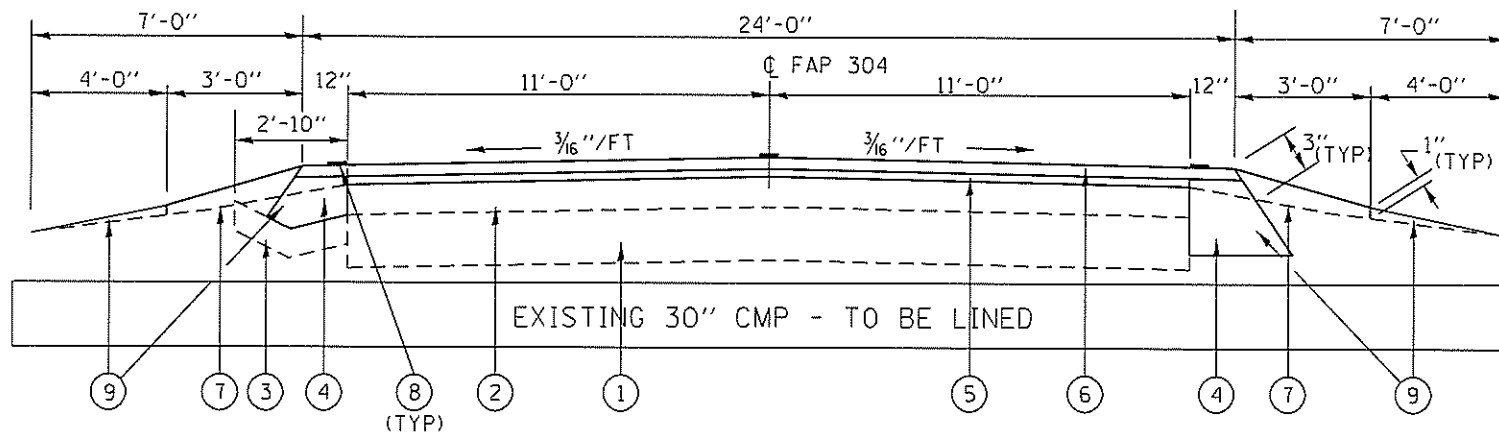
F.A.P. RTE.	SECTION	COUNTY	TOTAL SHEETS	SHEET NO.
VAR	CLV-ADAMS, PIKE 2019	VARIOUS	9	7
CONTRACT NO. 72K88			ILLINOIS FED. AID PROJECT	

LEGEND

- 1 - EXIST. P.C.C. PAV'T.
- 2 - EXIST. PAV'T FABRIC
- 3 - EXIST. CLASS C PATCHES, TYPE 1, 9 INCH



LOCATION #1
STA. 211+71.00

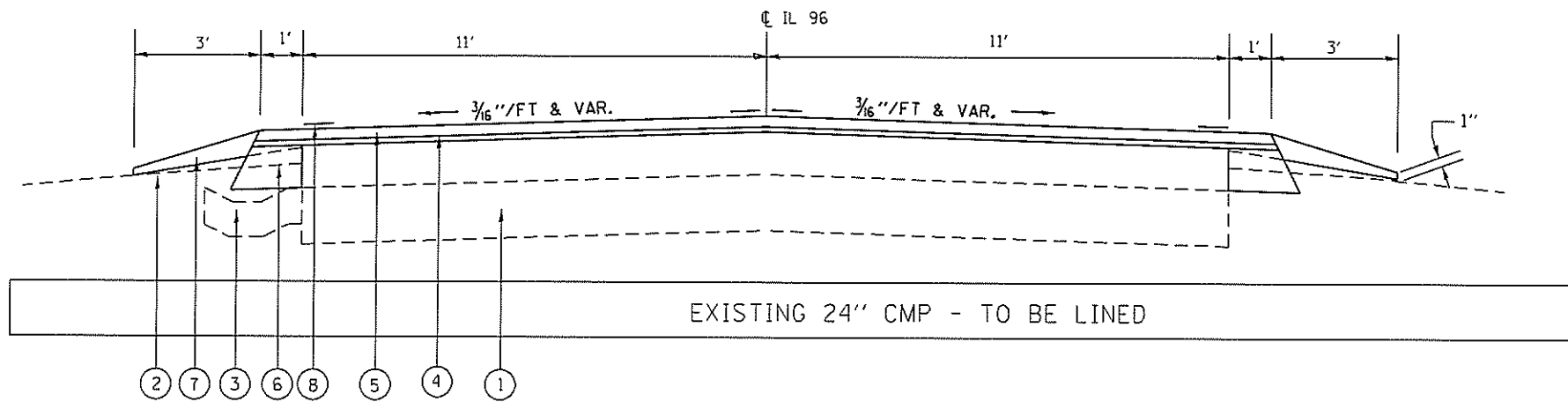


LOCATION #2
STA. 449+25

LEGEND

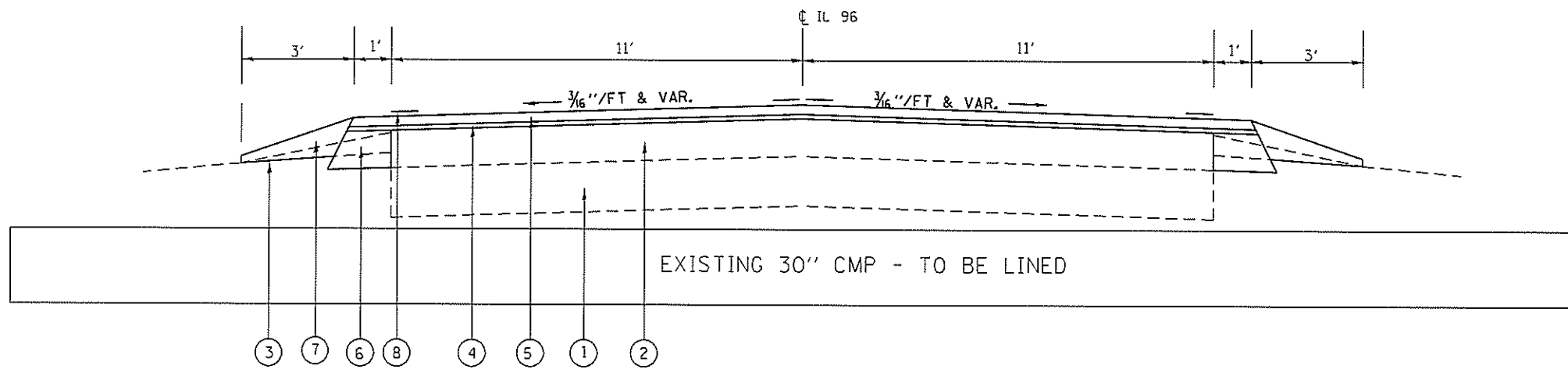
- 1 EXISTING AGGREGATE BASE COURSE - 11"
- 2 EXISTING BITUMINOUS RESURFACING - 4"
- 3 EXISTING CONCRETE GUTTER (TYP)
- 4 EXISTING BITUMINOUS SHOULDER - 8"
- 5 EXISTING LEVELING BINDER MACHINE METHOD. SUPERPAVE. ILLINOIS-9.5. N50 - 3/4"
- 6 EXISTING BITUMINOUS CONCRETE SURFACE COURSE. SUPERPAVE. MIXTURE C. N50 - 1 1/2"
- 7 EXISTING AGGREGATE SHOULDER. TYPE B
- 8 EXISTING PAVEMENT MARKING LINE - 5"
- 9 EXISTING EXCAVATING AND GRADING EXISTING SHOULDER

FILE NAME =	USER NAME = nicholsens1	DESIGNED -	REVISED -	STATE OF ILLINOIS DEPARTMENT OF TRANSPORTATION	TYPICALS	F.A.P. RTE.	SECTION	COUNTY	TOTAL SHEETS	SHEET NO.
S:\CONTRACT\MAINT\CAD\72K88 - FAP 502 ILL 57 - CULVERT LINER - ADAMS CD\PLANS\72K88 - BRAHNS.dgn	PLLOT SCALE = 3.0000' / 1"	CHECKED -	REVISED -			VAR	CLV-ADAMS, PIKE 2019	VARIOUS	9	8
Default	PLLOT DATE = 3/25/2019	DATE -	REVISED -			SCALE: SHEET OF SHEETS STA. TO STA.		CONTRACT NO. 72K88		ILLINOIS FED. AID PROJECT



- LEGEND**
- 1- EXIST AGG BASE VAR DEPTH (7" TO 12")
 - 2- EXIST AGG SHOULDERS
 - 3- EXIST CONC GUTTER TO REMAIN IN PLACE
 - 4- EXIST LEVELING BINDER (MM), SUPERPAVE N50 - 0.75"
 - 5- EXIST BIT CONC SURFACE COURSE, SUPERPAVE MIX C, N50 - 1.50"
 - 6- EXIST BITUMINOUS SHOULDERS SUPERPAVE - 8"
 - 7- EXIST AGG SHOULDERS TY B
 - 8- EXIST PAVEMENT MARKING LINE - 5"

LOCATION #4
STA. 861+70



- LEGEND**
- 1- EXIST AGG BASE VAR DEPTH (7" TO 12")
 - 2- EXIST BIT RESURFACING - 4.5"
 - 3- EXIST AGG SHOULDERS
 - 4- EXIST LEVELING BINDER (MM), SUPERPAVE N50 - 0.75"
 - 5- EXIST BIT CONC SURFACE COURSE, SUPERPAVE MIX C, N50 - 1.50"
 - 6- EXIST BITUMINOUS SHOULDERS SUPERPAVE - 8"
 - 7- EXIST AGG SHOULDERS TY B
 - 8- EXIST PAVEMENT MARKING LINE - 5"

LOCATION #3
STA. 812+35

LOCATION #5
STA. 1116+32

FILE NAME =	USER NAME = nicholson	DESIGNED -	REVISED -	STATE OF ILLINOIS DEPARTMENT OF TRANSPORTATION	TYPICALS		F.A.P. RTE.	SECTION	COUNTY	TOTAL SHEETS	SHEET NO.	
S:\CONTRMAINT_CAD\72K88 - FAP 502 (IL 57) - CULVERT LINER - ADAMS CON\PLANS\72K88-94.dwg	PLOT SCALE = 3.0000' / 1"	CHECKED -	REVISED -				VAR	CLV-ADAMS, PIKE 2019	VARIOUS	9	9	
Default	PLOT DATE = 3/25/2019	DATE -	REVISED -		SCALE:	SHEET	OF	SHEETS	STA.	TO	STA.	CONTRACT NO. 72K88
ILLINOIS FED. AID PROJECT												