

STATE OF ILLINOIS  
DEPARTMENT OF TRANSPORTATION

F.A. RTE.	SECTION	COUNTY	TOTAL SHEETS	SHEET NO.
VAR		VARIOUS	10	1
		ILLINOIS	CONTRACT NO. 70H35	

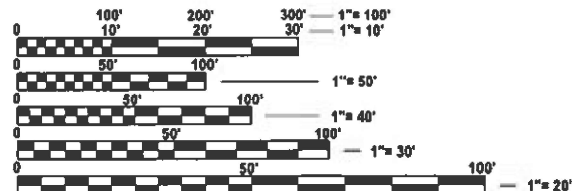
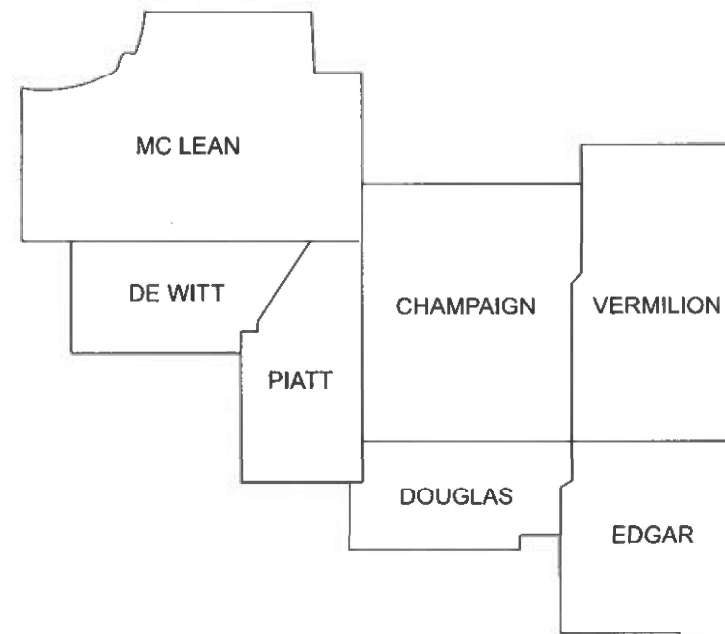
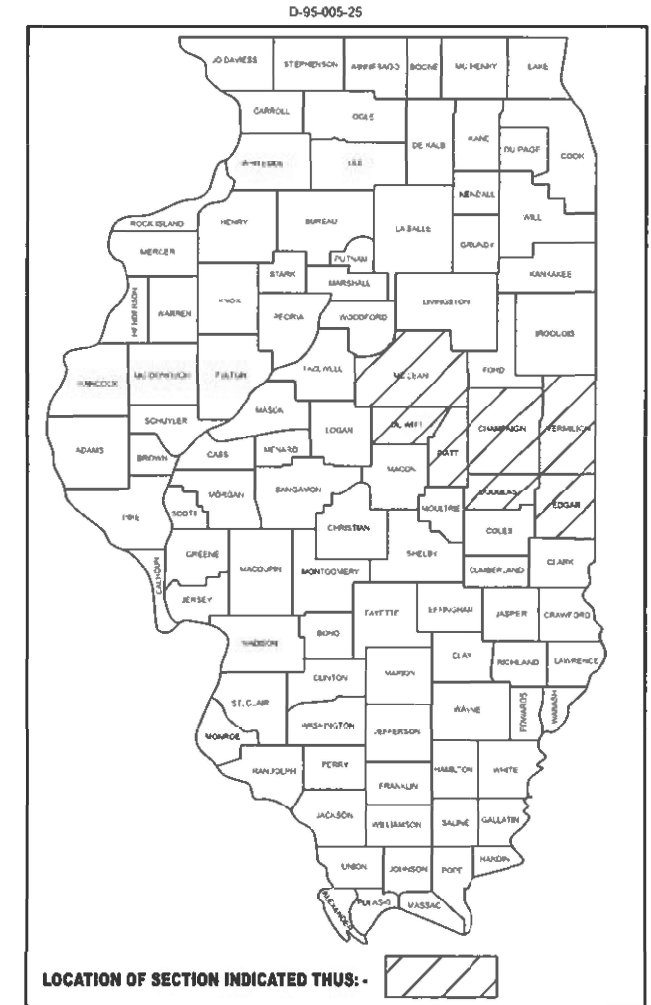
\*D5 GR & FENCE REPAIR 2025-1

FOR INDEX OF SHEETS, SEE SHEET NO. 2  
FOR SUMMARY OF QUANTITIES, SEE SHEET NO. 3-6

# PROPOSED HIGHWAY PLANS

VARIOUS ROUTES  
SECTION D5 GR & FENCE REPAIR 2025-1  
GUARDRAIL & FENCING MEDIAN CABLE  
VARIOUS COUNTIES

C-95-018-25



FULL SIZE PLANS HAVE BEEN PREPARED USING STANDARD ENGINEERING SCALES. REDUCED SIZED PLANS WILL NOT CONFORM TO STANDARD SCALES. IN MAKING MEASUREMENTS ON REDUCED PLANS, THE ABOVE SCALES MAY BE USED.

J.U.L.I.E.  
JOINT UTILITY LOCATION INFORMATION FOR EXCAVATION  
1-800-892-0123  
OR 811

PROJECT ENGINEER: RYAN CARROLL  
SQUAD LEADER: TYLER PIERSON  
DESIGNER: AARON FARNHAM  
PHONE NUMBER: 217-465-4181  
CONTRACT NO. 70H35

STATE OF ILLINOIS  
DEPARTMENT OF TRANSPORTATION

SUBMITTED 3/19 20 24  
Kensil A. Garnettson  
REGIONAL ENGINEER

May 10, 2024 [Signature]  
ENGINEER OF DESIGN AND ENVIRONMENT

May 10, 2024 [Signature]  
DIRECTOR OF HIGHWAYS PROJECT IMPLEMENTATION

PRINTED BY THE AUTHORITY  
OF THE STATE OF ILLINOIS

# INDEX OF SHEETS

SHEET NO.	DESCRIPTION
1	COVER SHEET
2	INDEX OF SHEETS
2	HIGHWAY STANDARDS
2	GENERAL NOTES
3 TO 6	SUMMARY OF QUANTITIES
7 TO 10	PLAN DETAILS

# GENERAL NOTES

G.N.-100A  
ELECTRONIC FILES AND/OR ELECTRONIC SURVEY INFORMATION INCLUDING CADD FILES WILL NOT BE AVAILABLE TO THE CONTRACTOR.

# HIGHWAY STANDARDS

STANDARD NO.	DESCRIPTION
000001-08	STANDARD SYMBOLS, ABBREVIATIONS, AND PATTERNS
001006	DECIMAL OF AN INCH AND OF A FOOT
630001-13	STEEL PLATE BEAM GUARDRAIL
630101-11	STRONG POST GUARDRAIL ATTACHED TO CULVERT
630106-02	LONG-SPAN GUARDRAIL OVER CULVERT
630111-01	WEAK POST GUARDRAIL ATTACHED TO CULVERT
630201-07	PCC/HMA STABILIZATION AT STEEL PLATE BEAM GUARDRAIL
630301-09	SHOULDER WIDENING FOR TYPE 1 (SPECIAL) GUARDRAIL TERMINALS
631011-10	TRAFFIC BARRIER TERMINAL, TYPE 2
631026-06	TRAFFIC BARRIER TERMINAL, TYPE 5
631031-18	TRAFFIC BARRIER TERMINAL, TYPE 6
631032-10	TRAFFIC BARRIER TERMINAL, TYPE 6A
631033-09	TRAFFIC BARRIER TERMINAL, TYPE 6B
631046-04	TRAFFIC BARRIER TERMINAL, TYPE 10
643001-02	SAND MODULE IMPACT ATTENUATORS
664001-02	CHAIN LINK FENCE
665001-02	WOVEN WIRE FENCE
701001-02	OFF-ROAD OPERATIONS, 2L, 2W, MORE THAN 15' (4.5M) AWAY
701006-05	OFF-ROAD OPERATIONS, 2L, 2W, 15' (4.5M) TO 24" (600MM) FROM PAVEMENT EDGE
701101-05	OFF-ROAD OPERATIONS, MULTILANE, 15' (4.5M) TO 24" (600MM) FROM PAVEMENT EDGE
701106-02	OFF-ROAD OPERATIONS, MULTILANE, MORE THAN 15' (4.5M) AWAY
701201-05	LANE CLOSURE, 2L, 2W, DAY ONLY, FOR SPEEDS ≥ 45 MPH
701206-05	LANE CLOSURE, 2L, 2W, NIGHT ONLY, FOR SPEEDS ≥ 45 MPH
701301-04	LANE CLOSURE, 2L, 2W, SHORT TIME OPERATIONS
701400-12	APPROACH TO LANE CLOSURE, FREEWAY/EXPRESSWAY
701401-13	LANE CLOSURE, FREEWAY/EXPRESSWAY
701406-13	LANE CLOSURE, FREEWAY/EXPRESSWAY, DAY OPERATIONS ONLY
701411-09	LANE CLOSURE, MULTILANE, AT ENTRANCE OR EXIT RAMP, FOR SPEEDS ≥ 45 MPH
701421-08	LANE CLOSURE, MULTILANE, DAY OPERATIONS ONLY, FOR SPEEDS ≥ MPH TO 55 MPH
701422-10	LANE CLOSURE, MULTILANE, FOR SPEEDS ≥ 45 MPH TO 55 MPH
701428-01	TRAFFIC CONTROL SETUP AND REMOVAL FREEWAY/EXPRESSWAY
701456-05	PARTIAL EXIT RAMP CLOSURE FREEWAY/EXPRESSWAY
701501-06	URBAN LANE CLOSURE, 2L, 2W, UNDIVIDED
701502-09	URBAN LANE CLOSURE, 2L, 2W, WITH BIDIRECTIONAL LEFT TURN LANE
701601-09	URBAN LANE CLOSURE, MULTILANE, 1W OR 2W WITH NONTRAVERSABLE MEDIAN
701602-10	URBAN LANE CLOSURE, MULTILANE, 2W WITH BIDIRECTIONAL LEFT TURN LANE
701606-10	URBAN LANE CLOSURE, MULTILANE, 2W WITH MOUNTABLE MEDIAN
701701-10	URBAN LANE CLOSURE, MULTILANE INTERSECTION
701901-09	TRAFFIC CONTROL DEVICES

# COMMITMENTS

THERE ARE NO COMMITMENTS FOR THIS CONTRACT

MODEL: Untitled (Sheet)  
FILE NAME: c:\p\work\wv\01\amhambald0976287\0570H35\_GEN\_NOTES.dgn

USER NAME = Bradley.Farnham	DESIGNED -	REVISED -
	DRAWN -	REVISED -
	CHECKED -	REVISED -
PLOT DATE = 3/5/2024	DATE -	REVISED -

**STATE OF ILLINOIS  
DEPARTMENT OF TRANSPORTATION**

**INDEX OF SHEETS, HIGHWAY STANDARDS,  
& GENERAL NOTES**

SCALE: SHEET 1 OF 1 SHEETS STA. TO STA.

F.A.P. RTE.	SECTION	COUNTY	TOTAL SHEETS	SHEET NO.
VAR	*	VARIOUS	10	2
CONTRACT NO. 70H35				
ILLINOIS FED. AID PROJECT				

# SUMMARY OF QUANTITIES

LOCATION:	VARIOUS ROUTES	VARIOUS ROUTES
COUNTY:	VARIOUS	VARIOUS
FUNDING BREAKOUT:	100% STATE	100% STATE
CONSTRUCTION CODE:	0021	0021

CODE NO.	PAY ITEM	UNIT	TOTAL QUANTITY	MCHD	GUARDRAIL
63000001	STEEL PLATE BEAM GUARDRAIL, TYPE A, 6 FOOT POSTS	FOOT	150.0	75.0	75.0
63100045	TRAFFIC BARRIER TERMINAL, TYPE 2	EACH	4.0	2.0	2.0
63100070	TRAFFIC BARRIER TERMINAL, TYPE 5	EACH	2.0	1.0	1.0
63100085	TRAFFIC BARRIER TERMINAL, TYPE 6	EACH	2.0	1.0	1.00
63100087	TRAFFIC BARRIER TERMINAL, TYPE 6A	EACH	2.0	1.0	1.0
63100089	TRAFFIC BARRIER TERMINAL, TYPE 6B	EACH	2.0	1.0	1.0
63100105	TRAFFIC BARRIER TERMINAL, TYPE 10	EACH	2.0	1.0	1.0
63100167	TRAFFIC BARRIER TERMINAL, TYPE 1 (SPECIAL) TANGENT	EACH	60.0	40.0	20.00
63400105	GUARD POSTS	EACH	11.0	10.0	1.0
64300260	IMPACT ATTENUATORS (FULLY REDIRECTIVE, NARROW), TEST LEVEL 3	EACH	2.0	1.0	1.0
64300370	IMPACT ATTENUATORS (FULLY REDIRECTIVE, WIDE), TEST LEVEL 3	EACH	2.0	1.0	1.0
66400105	CHAIN LINK FENCE, 4'	FOOT	300.0	200.0	100.0
66400305	CHAIN LINK FENCE, 6'	FOOT	400.0	200.0	200.0
66500105	WOVEN WIRE FENCE, 4'	FOOT	3000.0	2,000.0	1,000.0
*DENOTES SPECIALTY ITEM					

MODEL: SOQ (Sheet)  
FILE NAME: c:\p\work\pww\off\arnham\ba\076287\0570H35\_SQO.dgn

USER NAME = Bradley.Farnham	DESIGNED -	REVISED -
	DRAWN -	REVISED -
	CHECKED -	REVISED -
PLOT DATE = 3/5/2024	DATE -	REVISED -

**STATE OF ILLINOIS  
DEPARTMENT OF TRANSPORTATION**

**SUMMARY OF QUANTITIES**

SCALE: SHEET 1 OF 4 SHEETS STA. TO STA.

F.A.P. RTE.	SECTION	COUNTY	TOTAL SHEETS	SHEET NO.
	*	VARIOUS	10	3
CONTRACT NO. 70H35				
ILLINOIS FED. AID PROJECT				

# SUMMARY OF QUANTITIES

LOCATION:	VARIOUS ROUTES	VARIOUS ROUTES
COUNTY:	VARIOUS	VARIOUS
FUNDING BREAKOUT:	100% STATE	100% STATE
CONSTRUCTION CODE:	0021	0021

CODE NO.	PAY ITEM	UNIT	TOTAL QUANTITY	MCHD	GUARDRAIL
66501200	WOVEN WIRE GATES, 4' X 8' DOUB.E	EACH	2.0	1.0	1.0
72501000	TERMINAL MARKER - DIRECT APPLIED	EACH	28.0	14.0	14.0
78200005	GUARDRAIL REFLECTORS, TYPE A	EACH	14.0	8.0	6.0
X2300003	SPLICING HIGH TENSION CABLE (BRIFEN)	EACH	2.0	1.0	1.0
X2300004	SPLICING HIGH TENSION CABLE (GIBALTAR)	EACH	5.0	3.0	2.0
X2300005	SPLICING HIGH TENSION CABLE (TRINITY)	EACH	3.0	2.0	1.0
X6330725	STEEL PLATE BEAM GUARDRAIL (SHORT RADIUS)	FOOT	50.0	25.0	25.0
X6331110	STEEL POSTS (SPECIAL)	EACH	3.0	2.0	1.0
X6340205	GUARD POSTS REMOVAL	EACH	11.0	10.0	1.0
X6432110	REPLACE IMPACT ATTENUATORS (NON-REDIRECTIVE), TEST LEVEL 3	EACH	90.0	75.0	15.0
X6432223	REPAIR IMPACT ATTENUATORS (FULLY REDIRECTIVE, NARROW), TEST LEVEL 3	EACH	2.0	1.0	1.0
X6440130	REPAIR HIGH TENSION CABLE (GIBALTAR)	FOOT	700.0	550.0	150.0
X6440132	REPAIR HIGH TENSION CABLE SYSTEM END SECTION (GIBALTAR)	EACH	30.0	10.0	20.0
X6440133	REPAIR POSTS (GIBALTAR)	EACH	415.0	300.0	115.0
*DENOTES SPECIALTY ITEM					

MODEL: SQC-1 [Sheet]  
 FILE NAME: c:\p\work\pww\illinois\amham\0976287\0570H35\_SQC.dgn

USER NAME = Bradley.Farnham	DESIGNED -	REVISED -
	DRAWN -	REVISED -
	CHECKED -	REVISED -
PLOT DATE = 3/5/2024	DATE -	REVISED -

**STATE OF ILLINOIS  
DEPARTMENT OF TRANSPORTATION**

**SUMMARY OF QUANTITIES**

SCALE: SHEET 2 OF 4 SHEETS STA. TO STA.

F.A.P RTE.	SECTION	COUNTY	TOTAL SHEETS	SHEET NO.
	*	VARIOUS	10	4
CONTRACT NO. 70H35				
ILLINOIS FED. AID PROJECT				

# SUMMARY OF QUANTITIES

LOCATION:	VARIOUS ROUTES	VARIOUS ROUTES
COUNTY:	VARIOUS	VARIOUS
FUNDING BREAKOUT:	100% STATE	100% STATE
CONSTRUCTION CODE:	0021	0021

CODE NO.	PAY ITEM	UNIT	TOTAL QUANTITY	MCHD	GUARDRAIL
X6440150	REPAIR HIGH TENSION CABLE (BRIFEN)	FOOT	70.0	40.0	30.0
X6440153	REPAIR POSTS (BRIFEN)	EACH	11.0	6.0	5.0
X6440156	REPAIR HIGH TENSION CABLE SYSTEM END SECTION (BRIFEN)	EACH	2.0	1.0	1.0
X6440160	REPAIR HIGH TENSION CABLE (TRINITY)	FOOT	200.0	150.0	50.0
X6440163	REPAIR POSTS (TRINITY)	EACH	85.0	60.0	25.0
X6440166	REPAIR HIGH TENSION CABLE SYSTEM END SECTION (TRINITY)	EACH	15.0	2.0	13.0
X6640594	CHAIN LINK FENCE POST 4'	EACH	24.0	15.0	9.0
X6640601	CHAIN LINK FENCE POST 6'	EACH	24.0	15.0	9.0
Z0008760	EMERGENCY WORK CALL OUT	EACH	36.0	23.0	13.0
Z0012752	CONCRETE STRUCTURE REPAIR	CU FT	11.0	8.0	3.0
Z0020210	PULL POST ARRANGEMENT	EACH	28.0	20.0	8.0
Z0052000	REPAIR STEEL PLATE BEAM GUARDRAIL, TYPE A	FOOT	6,800.00	5,500.0	1,300.0
Z0052100	REPAIR STEEL PLATE BEAM GUARDRAIL, TYPE B	FOOT	26.0	25.0	1.0
Z0052410	REPAIR TRAFFIC BARRIER TERMINAL, TYPE 1 SPECIAL (TANGENT)	EACH	10.0	7.0	3.0
*DENOTES SPECIALTY ITEM					

MODEL: SQ02 (Sheet)  
 FILE NAME: c:\p\work\pww\off\amhambad\076287\0570H35\_SQ02.dgn

USER NAME = Bradley.Farnham	DESIGNED -	REVISED -
	DRAWN -	REVISED -
	CHECKED -	REVISED -
PLOT DATE = 3/5/2024	DATE -	REVISED -

**STATE OF ILLINOIS  
DEPARTMENT OF TRANSPORTATION**

**SUMMARY OF QUANTITIES**

SCALE: SHEET 3 OF 4 SHEETS STA. TO STA.

F.A.P. RTE.	SECTION	COUNTY	TOTAL SHEETS	SHEET NO.
	*	VARIOUS	10	5
CONTRACT NO. 70H35				
ILLINOIS FED. AID PROJECT				

# SUMMARY OF QUANTITIES

LOCATION:	VARIOUS ROUTES	VARIOUS ROUTES
COUNTY:	VARIOUS	VARIOUS
FUNDING BREAKOUT:	100% STATE	100% STATE
CONSTRUCTION CODE:	0021	0021

CODE NO.	PAY ITEM	UNIT	TOTAL QUANTITY	MCHD	GUARDRAIL
Z0052415	REPAIR TRAFFIC BARRIER TERMINAL, TYPE 1 SPECIAL (FLARED)	EACH	2.0	1.0	1.0
Z0052600	REPAIR TRAFFIC BARRIER TERMINAL, TYPE 2	EACH	4.0	2.0	2.0
Z0053000	REPAIR TRAFFIC BARRIER TERMINAL, TYPE 5	EACH	2.0	1.0	1.0
Z0053200	REPAIR TRAFFIC BARRIER TERMINAL, TYPE 6	EACH	2.0	1.0	1.0
Z0053210	REPAIR TRAFFIC BARRIER TERMINAL, TYPE 6A	EACH	2.0	1.0	1.0
Z0053220	REPAIR TRAFFIC BARRIER TERMINAL, TYPE 6B	EACH	2.0	1.0	1.0
*SPECIALTY ITEM					

MODEL: SQ03 (Sheet)  
FILE NAME: c:\p\work\pww\off\arnham\ba\076287\0570H35\_SQ03.dgn

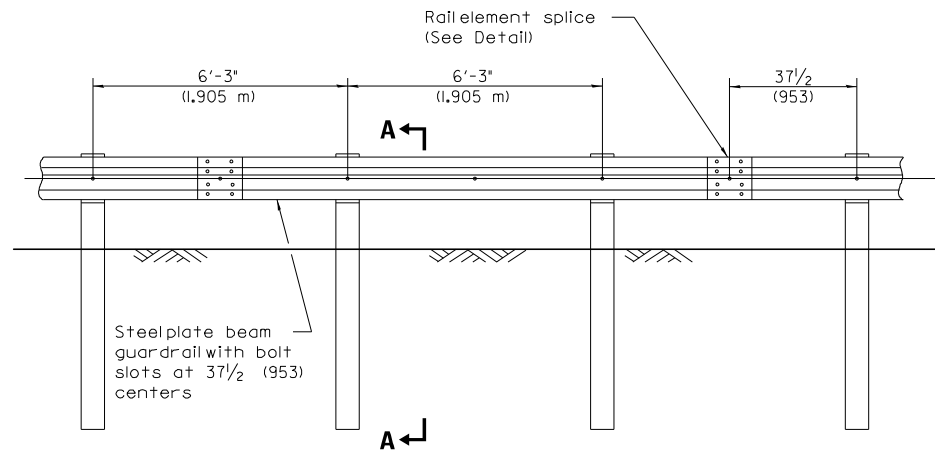
USER NAME = Bradley.Farnham	DESIGNED -	REVISED -
	DRAWN -	REVISED -
	CHECKED -	REVISED -
PLOT DATE = 3/5/2024	DATE -	REVISED -

**STATE OF ILLINOIS  
DEPARTMENT OF TRANSPORTATION**

**SUMMARY OF QUANTITIES**

SCALE: SHEET 4 OF 4 SHEETS STA. TO STA.

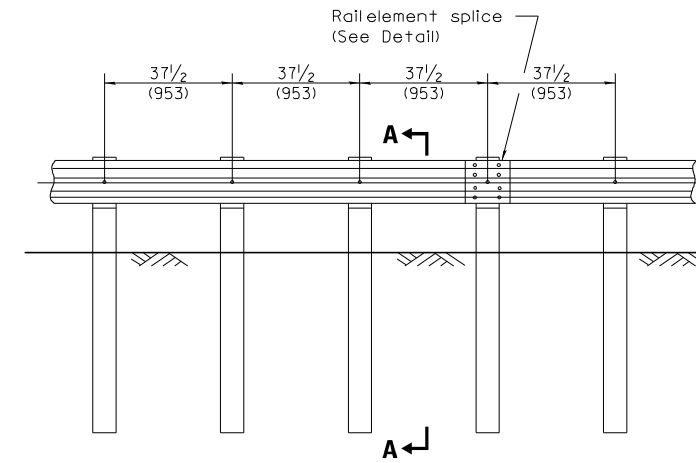
F.A.P RTE.	SECTION	COUNTY	TOTAL SHEETS	SHEET NO.
VAR	*	VARIOUS	10	6
CONTRACT NO. 70H35				
ILLINOIS FED. AID PROJECT				



**ELEVATION**

**TYPE A**

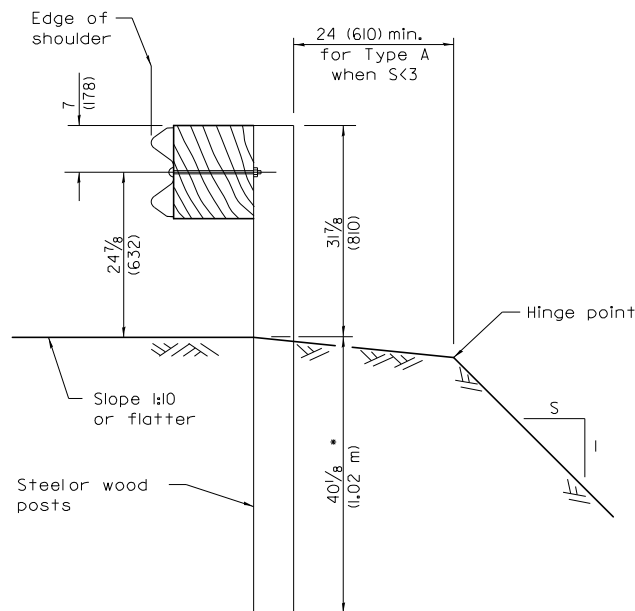
6'-3" (1,905 m) Typical post spacing



**ELEVATION**

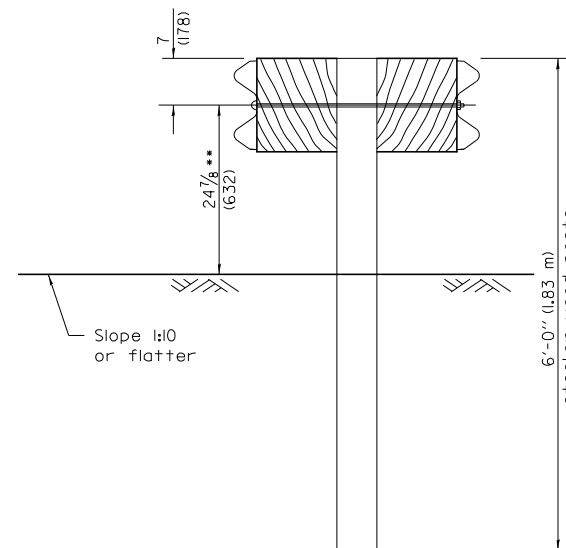
**TYPE B**

37 1/2 (953) Closed post spacing



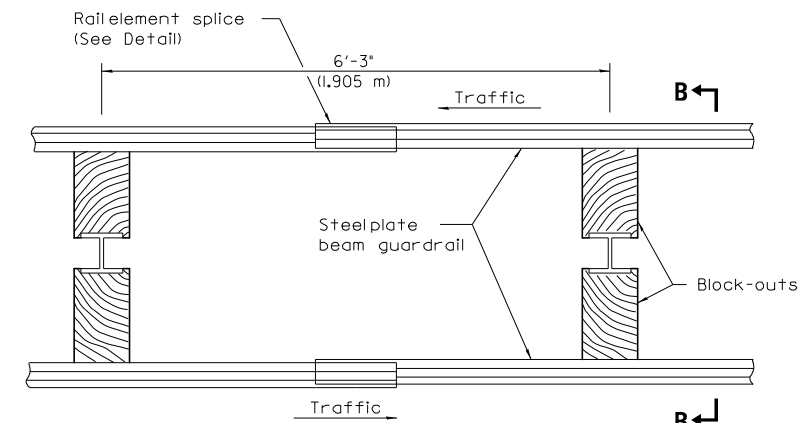
**SECTION A-A**

- When "S" is less than 3 and the distance from the back of post is less than 24 (610), the post shall be steel and the embedment shall be 76 1/8 (1934).



**SECTION B-B**

- When connecting Type D guardrail to an impact attenuator, adjust this dimension to 21 1/8 (556) over a distance of 25'-0" (7.62 m) from point of connection.



**PLAN**

**TYPE D**

Double steelplate beam guardrail  
6'-3" (1,905 m) typical post spacing

**GENERAL NOTES**

All slope ratios are expressed as units of vertical displacement to units of horizontal displacement (V:H).

All dimensions are in inches (millimeters) unless otherwise shown.

**STEEL PLATE BEAM GUARDRAIL**

(Sheet 1 of 4)

**STANDARD 630001-10**

MODEL: Untitled (Sheet)  
FILE NAME: c:\p\work\wv\101\amhambad\076287\0570H35\_DETAIL.S.dgn

USER NAME = Bradley,Farnham	DESIGNED -	REVISED -
	DRAWN -	REVISED -
	CHECKED -	REVISED -
PLOT DATE = 3/5/2024	DATE -	REVISED -

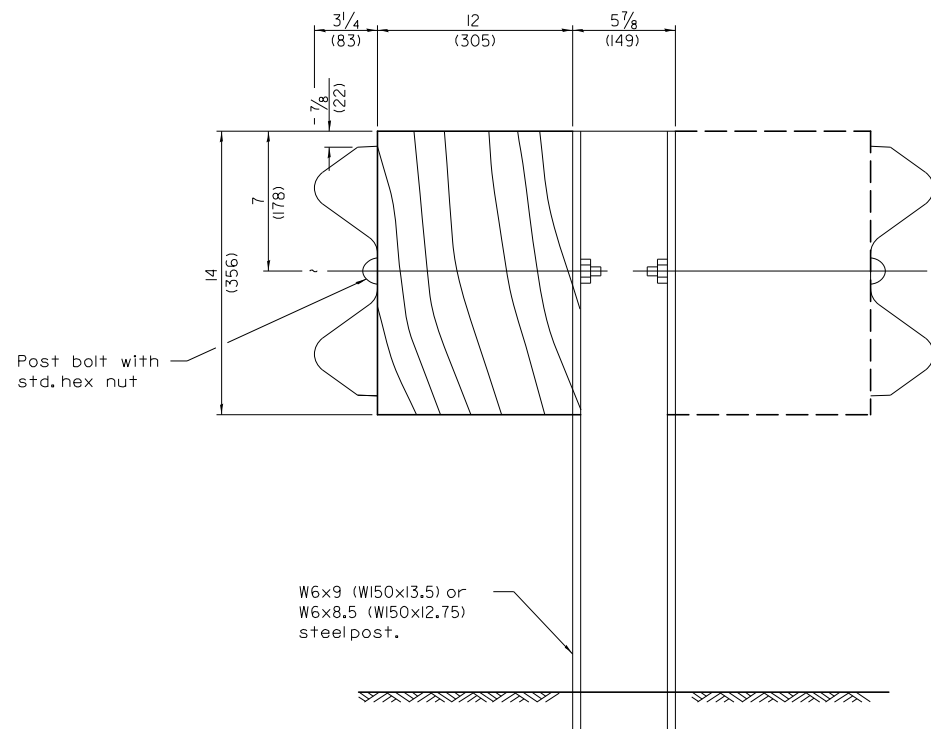
**STATE OF ILLINOIS  
DEPARTMENT OF TRANSPORTATION**

**DETAIL OF 27 1/2" STEEL PLATE BEAM GUARDRAIL**

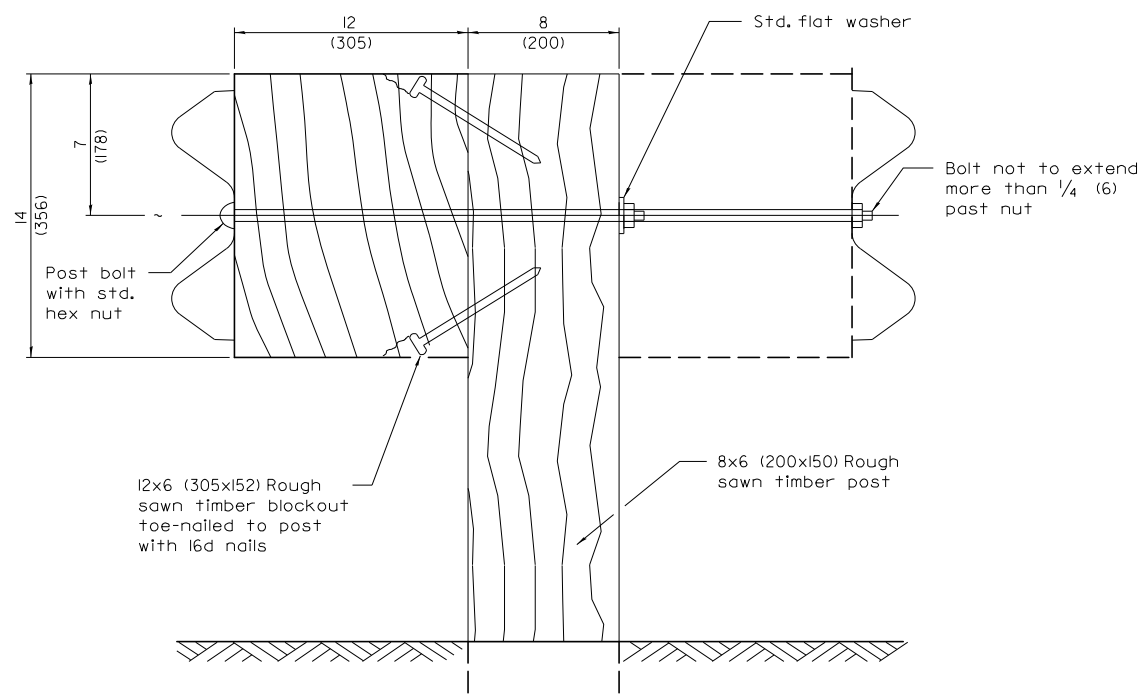
SCALE: SHEET 1 OF 4 SHEETS STA. TO STA.

F.A.P. RTE.	SECTION	COUNTY	TOTAL SHEETS	SHEET NO.
VAR	*	VARIOUS	10	7
CONTRACT NO. 70H35				

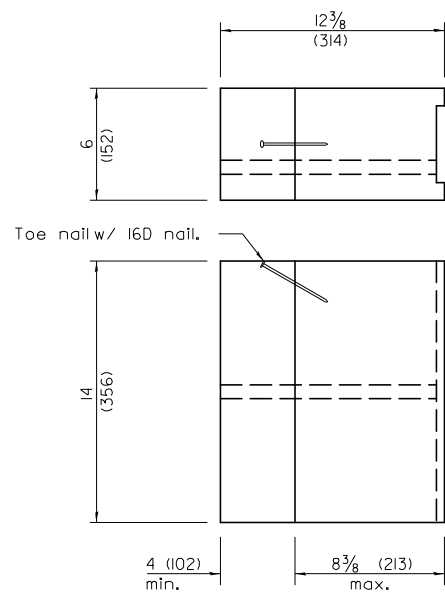
ILLINOIS FED. AID PROJECT  
D5 GR & FENCE REPAIR 2025-1



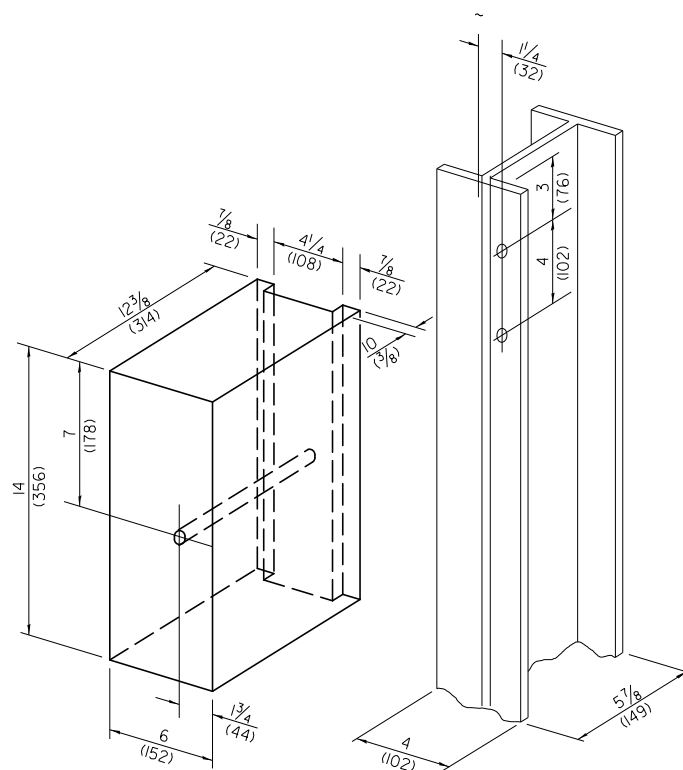
**STEEL POST CONSTRUCTION**



**WOOD POST CONSTRUCTION**

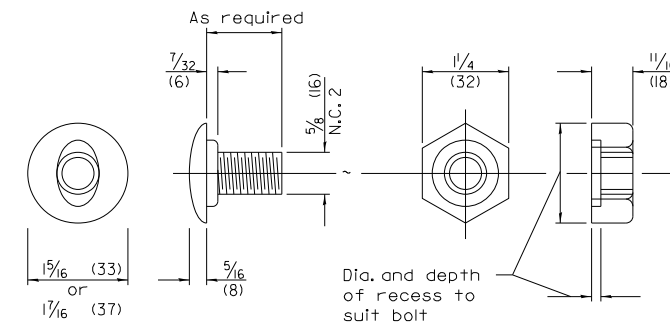


**TWO-PIECE WOOD BLOCKOUT OPTION**



Note:  
All holes 3/4 (20) dia.

**WOOD BLOCK-OUT AND STEEL POST DETAILS**



**POST OR SPLICE BOLT & NUT**

**STEEL PLATE BEAM GUARDRAIL**

(Sheet 2 of 4)

STANDARD 630001-10

MODEL: Unlabeled-1 [Sheet]  
FILE NAME: c:\pik\work\civil\amhambad\076287\0570H35\_DETAILS.dgn

USER NAME = Bradley,Farnham	DESIGNED -	REVISED -
	DRAWN -	REVISED -
	CHECKED -	REVISED -
PLOT DATE = 3/5/2024	DATE -	REVISED -

STATE OF ILLINOIS  
DEPARTMENT OF TRANSPORTATION

DETAIL OF 27 1/2" STEEL PLATE BEAM GUARDRAIL

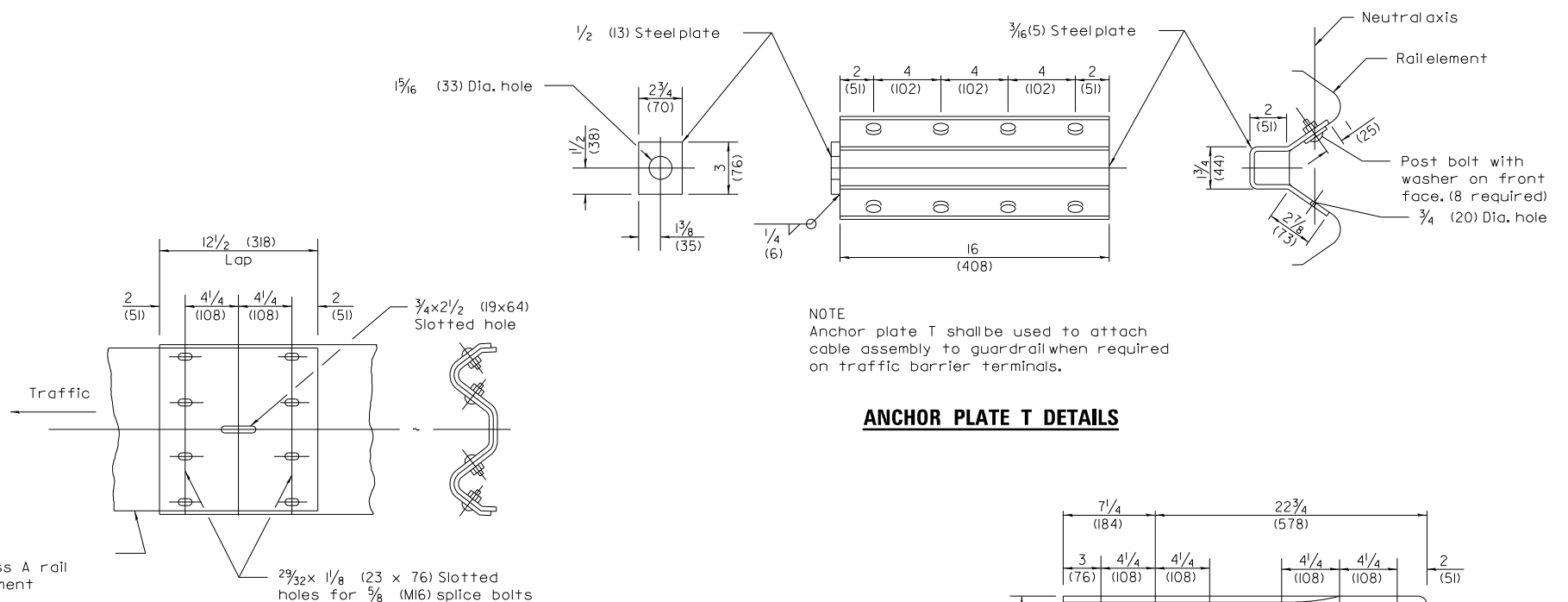
SCALE: SHEET 2 OF 4 SHEETS STA. TO STA.

F.A.P. RTE.	SECTION	COUNTY	TOTAL SHEETS	SHEET NO.
	*	VARIOUS	10	8
CONTRACT NO. 70H35				

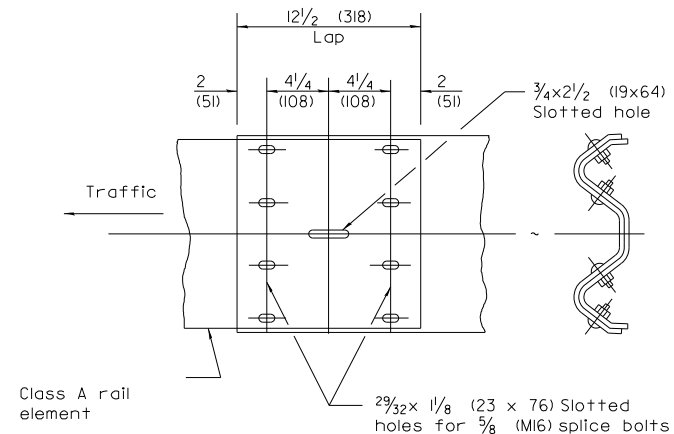
ILLINOIS FED. AID PROJECT  
D5 GR & FENCE REPAIR 2025-1



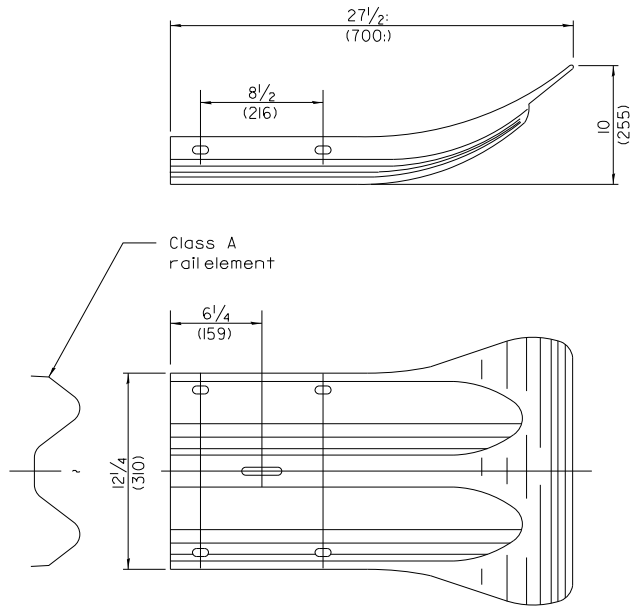
MODEL: Unlabeled2 (Sheet)  
 FILE NAME: c:\p\work\civil\amhambald076287\0570H35\_DETAIL.S.dgn



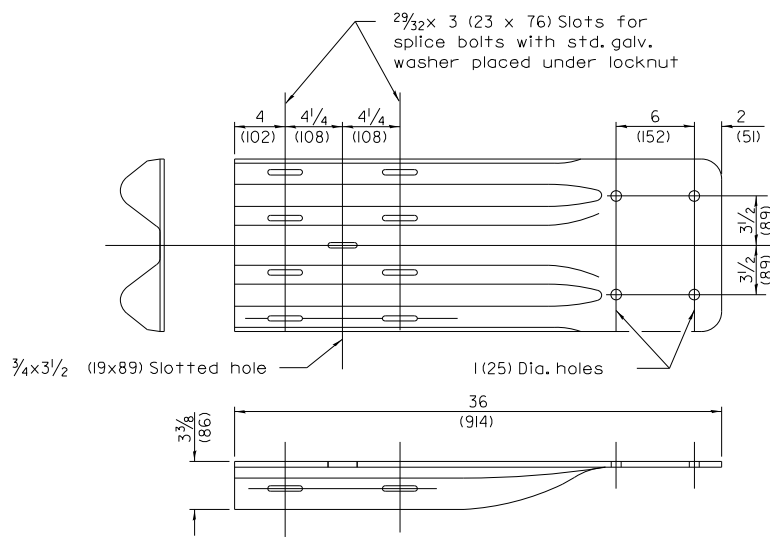
**ANCHOR PLATE T DETAILS**



**RAIL ELEMENT SPLICE**



**END SECTION**

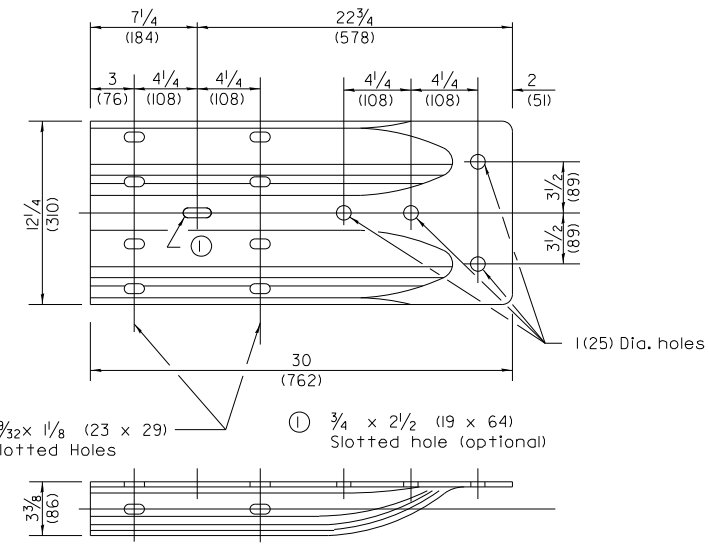


NOTE  
 When end shoe is attached to a bridge parapet which has an expansion joint, the bolts shall be provided with a locknut or double nut and shall be tightened only to a point that will allow guardrail movement.

The standard end shoe shall be attached to the concrete with pre-drilled or self-drilling anchor bolts. The anchor cone shall be set flush with the surface of the concrete.

Externally threaded studs protruding from the surface of the concrete will not be permitted.

**END SHOE**



**ALTERNATE END SHOE**

**STEEL PLATE BEAM GUARDRAIL**

(Sheet 3 of 4)

STANDARD 630001-10

USER NAME = Bradley, Farnham	DESIGNED -	REVISED -
	DRAWN -	REVISED -
	CHECKED -	REVISED -
PLOT DATE = 3/5/2024	DATE -	REVISED -

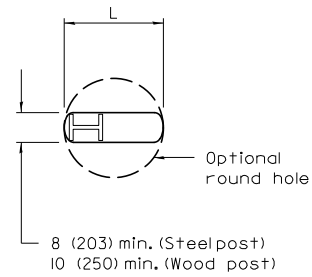
STATE OF ILLINOIS  
 DEPARTMENT OF TRANSPORTATION

DETAIL OF 27 1/2" STEEL PLATE BEAM GUARDRAIL

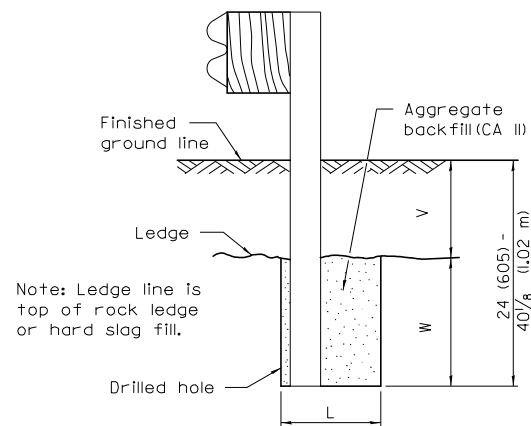
SCALE: SHEET 3 OF 4 SHEETS STA. TO STA.

F.A.P. RTE.	SECTION	COUNTY	TOTAL SHEETS	SHEET NO.
	*	VARIOUS	10	9
CONTRACT NO. 70H35				

ILLINOIS FED. AID PROJECT  
 D5 GR & FENCE REPAIR 2025-1

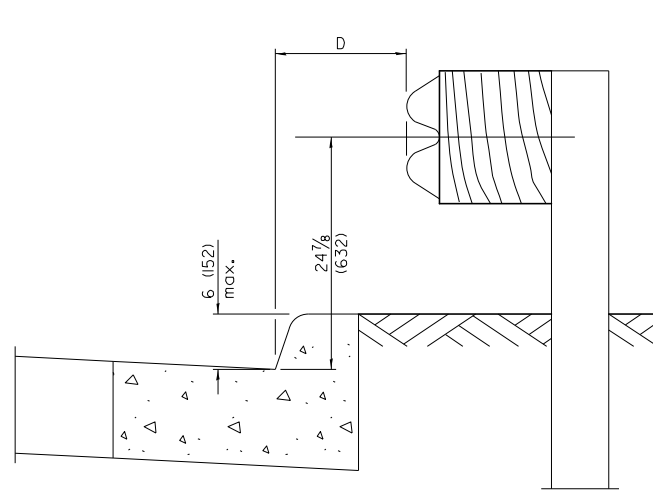


**PLAN**

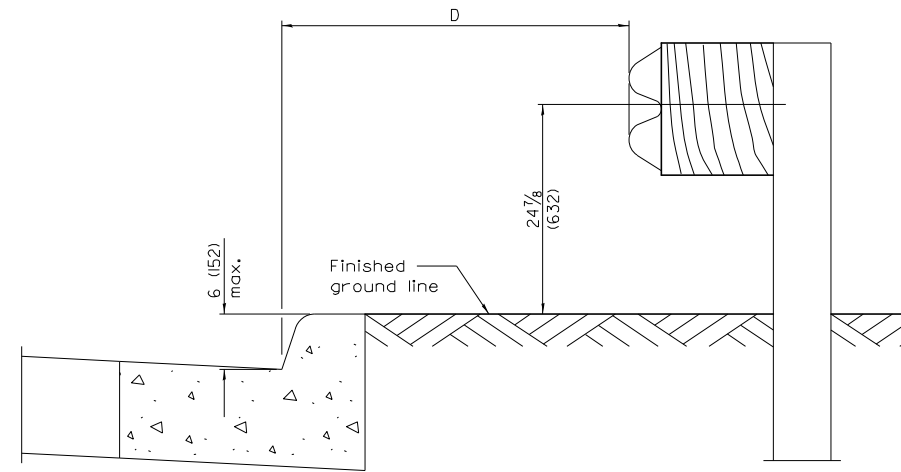


**ELEVATION**

**FOOTING FOR POST WHEN IMPERVIOUS MATERIAL IS ENCOUNTERED**



**0 < D < 4'-0" (1.2 m)**

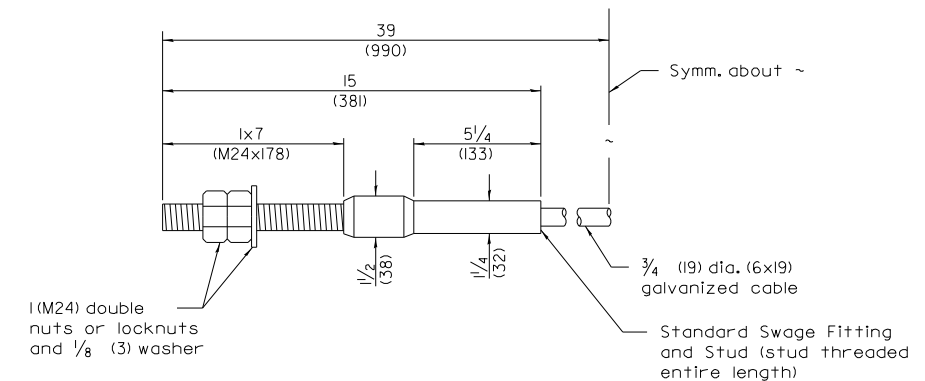


**4'-0" (1.2 m) ≤ D ≤ 12'-0" (3.7 m)**

**GUARDRAIL PLACED BEHIND CURB**

Note: 'D' shall not exceed 6 (152) for design speeds greater than 45 mph.

V	W	L	
		Steel Post	Wood Post
0 - 6 (0 - 152)	24 (610)	21 (530)	23 (580)
> 6 - 18 (> 152 - 458)	18 (458)	14 1/2 (368)	16 1/2 (419)
> 18 - 31 (> 458 - 787)	12 (305)	8 (203)	10 (250)
> 31 - 40 1/8 (> 787 - 1.02 m)	12 - 0 (305 - 0)	8 (203)	10 (250)



**CABLE ASSEMBLY**

(40,000 lbs. (18,100 kg) min. breaking strength)  
Tighten to taut tension.

**STEEL PLATE BEAM GUARDRAIL**

(Sheet 4 of 4)

**STANDARD 630001-10**

MODEL: Unlabeled-3 (Sheet)  
FILE NAME: c:\p\work\wv\1011\amhambal\076287\0570H35\_DETAIL.S.dgn

USER NAME = Bradley.Farnham	DESIGNED -	REVISED -
	DRAWN -	REVISED -
	CHECKED -	REVISED -
PLOT DATE = 3/5/2024	DATE -	REVISED -

**STATE OF ILLINOIS  
DEPARTMENT OF TRANSPORTATION**

**DETAIL OF 27 1/2" STEEL PLATE BEAM GUARDRAIL**

SCALE: SHEET 4 OF 4 SHEETS STA. TO STA.

F.A.P. RTE.	SECTION	COUNTY	TOTAL SHEETS	SHEET NO.
	*	VARIOUS	10	10
CONTRACT NO. 70H35				
ILLINOIS FED. AID PROJECT				