

GENERAL NOTES:

Specifications for this project shall be IDOT " Standard Specifications for Road and Bridge Construction", latest edition, IDOT "Recurring Special Provisions", latest edition, and City of Rochelle Special Provisions unless otherwise approved by the Engineer. All reference to "Engineer" shall mean the City Engineer or his authorized representative.

Any construction or work indicated in the plans or specified in the proposal shall be completed by the Contractor. Any construction or work not included in a pay item shall be incidental to the project contract cost. Quantities shown are estimates and for information only. The contractor shall verify all quantities.

Call J.U.L.I.E. (1-800-892-0123) for utility location information prior to excavation. The location for existing utilities as shown on the plans are approximate and based on best information available, but not guaranteed. It shall be the Contractor's responsibility to ascertain their exact location from the utility companies and by field inspection. The contractor shall verify all underground utility locations in the field. The Contractor shall be responsible for "potholing" or locating utilities both vertical and horizontal, within the project limits or along any sewer trench, before installation of any proposed improvements to determine if conflicts exist with said improvements. The contractor shall be responsible for contacting the utility company for any adjustments. This item shall be considered incidental to the project contract.

Protect all overhead and underground utility lines during construction. All Electric, Utility pole or street light, Water, and Sanitary Sewer adjustments and/or relocations will be performed by Rochelle Municipal Utilities unless otherwise directed by the Engineer.

Right-of-way line and property lines indicated on the plans are approximate. The contractor shall carefully preserve all existing property markers until an authorized surveyor has referenced their location. Property markers damaged by the contractor shall be replaced at the expense of the contractor. All property corner monumentation shall be restored to the condition existing before construction began.

Top of curb (TOC) elevations indicated on the plans are to the top back of curb.

EARTHWORK, TRENCHBACKFILL, SUBGRADE AND PAVEMENT PREPARATION NOTES:

All excess earth excavation or unsuitable material shall be disposed of by the contractor off-site in accordance with IDOT requirements. This item shall be considered incidental to applicable pay items.

The upper 12 inches of subgrade below pavements, or new fills shall be brought to within ±2% of optimum moisture and compacted to not less than 90% of maximum density. Optimum moisture is estimated to be in the range of 8% to 9% during cool or wet seasons, therefore it may be necessary to disk and aerate the existing upper 12 inches of soil to achieve optimum moisture content.

No fill or backfill material shall be placed over frozen, muddy, or otherwise unstable material.

All fill or backfill shall be placed beneath exterior paved areas shall be compacted to not less than 90% of maximum density.

All fill and backfill shall be placed in lifts not greater than 8 inches in thickness, loose measurement, prior to compaction.

Areas of unsuitable and unstable subgrade and aggregate base course shall be removed, disposed of and treated in accordance with the Special Provisions and as directed by the Engineer.

All density measurements referenced above shall be in accordance with ASTM designation D1557-78 modified proctor method.

Contractor is responsible for maintaining a final grade that is suitable for drainage, seeding and landscaping (minimum of 6" of topsoil). Contractor shall restore all disturbed areas to preconstruction conditions or better as directed by the Engineer.

Contractor shall protect and prevent damage to existing trees which are not indicated on the plans to be removed.

The contractor shall catalog, document and remove existing street signs and posts and stockpile them at a safe location to prevent damage and theft. This work shall be considered incidental to the project.

If existing brick or other pavement base course is encountered during HMA surface removal operations the depth and quantity of HMA surface removal shall be adjusted in accordance with section 440 of the IDOT Standard Specifications.

EROSION AND SEDIMENTATION CONTROL NOTES:

Erosion control practices shall be constructed in accordance with the IDOT Standard Specifications, the Standards for Soil Erosion and Sediment Control as contained in IEPA/WPC/ 87-012 or current edition and according to Procedures and Standards for Urban Soil Erosion and Sedimentation Control in Illinois, latest edition, and according to the Standards of the City of Rochelle.

A temporary sediment barrier of straw bales, filter fabric, or other approved barrier shall be placed around each storm sewer inlet potentially impacted by work. This work shall be considered incidental to the project contract cost. Fabric filter fences or straw bales shall be placed around any stock pile with more than 10 cu. yd. of material. At the end of each work day, the contractor shall sweep or clean (not flush) and dispose of any construction soil material and debris from the street.

The Engineer shall determine the adequacy of the contractor's erosion control efforts. The Engineer or his designated representative shall have full authority to suspend or limit the contractor's operations pending adequate performance of erosion control methods.

The contractor shall inspect erosion control structures daily and immediately after any major storm. All mud and debris shall be swept clean from roadways at the end of each working day or as directed by the Engineer. This item shall be considered incidental to the contract.

Refer to the Special Provisions for further requirements of contract pay items.

**SUMMARY OF QUANTITIES
CONSTRUCTION TYPE CODE: 0005**

Item No	Items	Unit	Quantity
20201200	REMOVAL AND DISPOSAL OF UNSUITABLE MATERIAL	CU YD	191.00
21101615	TOPSOIL FURNISH AND PLACE, 4"	SQ YD	4,800.00
25000110	SEEDING, CLASS 1A	ACRE	0.04
25000210	SEEDING, CLASS 2A	ACRE	0.94
25000400	NITROGEN FERTILIZER NUTRIENT	POUND	88.00
25000500	PHOSPHORUS FERTILIZER NUTRIENT	POUND	88.00
25000600	POTASSIUM FERTILIZER NUTRIENT	POUND	88.00
25100115	MULCH, METHOD 2	ACRE	0.98
31101000	SUBBASE GRANULAR MATERIAL, TYPE B	TON	1,063.00
35101400	AGGREGATE BASE COURSE, TYPE B	TON	3,353.00
40200800	AGGREGATE SURFACE COURSE, TYPE B	TON	134.00
40600275	BITUMINOUS MATERIALS (PRIME COAT)	POUND	13,178.00
40600290	BITUMINOUS MATERIALS (TACK COAT)	POUND	15,753.00
40603085	HMA BINDER COURSE, IL 19.0, N70	TON	3,341.00
40604162	P HMA SURFACE COURSE, IL 9.5, MIX "D", N70	TON	5,128.00
42400300	PORTLAND CEMENT CONCRETE SIDEWALK, 6"	SQ FT	603.00
42400800	DETECTABLE WARNINGS	SQ FT	20.00
44000159	HOT-MIX ASPHALT SURFACE REMOVAL, 2-1/2"	SQ YD	11,979.00
44000161	HOT-MIX ASPHALT SURFACE REMOVAL, 3"	SQ YD	17,170.00
44000500	COMBINATION CURB AND GUTTER REMOVAL	FOOT	480.00
44000600	SIDEWALK REMOVAL	SQ FT	228.00
48203021	HOT-MIX ASPHALT SHOULDERS, 6"	SQ YD	5,537.00
48203029	HOT-MIX ASPHALT SHOULDERS, 8"	SQ YD	320.00
60604400	COMB CONC CURB & GUTTER, TYPE B-6.18	FOOT	480.00
67100100	MOBILIZATION	L SUM	1.00
X7010216	TRAFFIC CONT & PROT, SPECIAL	L SUM	1.00
70107025	CHANGEABLE MESSAGE SIGN	CAL DAY	300.00
70300100	SHORT TERM PAVEMENT MARKING	FOOT	581.00
70300150	SHORT TERM PAVEMENT MARKING REMOVAL	SQ FT	192.00
* 78000100	THPL PVT MARKING - LTR & SYM	SQ FT	491.00
* 78000200	THPL PVT MARKING - LINE 4"	FOOT	33,423.00
* 78000400	THPL PVT MARKING - LINE 6"	FOOT	712.00
* 78000600	THPL PVT MARKING - LINE 12"	FOOT	1,518.00
* 78000650	THPL PVT MARKING - LINE 24"	FOOT	83.00
* 78001100	PAINT PVT MARKING - LTR & SYM	SQ FT	84.00
* 78001110	PAINT PVT MARKING - LINE 4"	FOOT	1,806.00
* 78001130	PAINT PVT MARKING - LINE 6"	FOOT	368.00
* 78001150	PAINT PVT MARKING - LINE 12"	FOOT	362.00
* 78001180	PAINT PVT MARKING - LINE 24"	FOOT	36.00
78300201	PAVEMENT MARKING REMOVAL - GRINDING	SQ FT	1,379.00
X0300037	AREA REFLECTIVE CRACK CONTROL TREATMENT	SQ YD	44,848.00
X4404400	PAVEMENT REMOVAL (SPECIAL)	SQ YD	1,213.00

*SPECIALTY ITEMS

Location and Mixture Use(s)	HMA Chart		
	Surface	Binder	Shoulders
PG:	SBS PG 70-22	PG 64-22	SBS PG 70-22
Design Air Voids	4.0 @ N70	4.0 @ N70	4.0 @ N70
Mixture Composition	IL 9.5	IL 19.0	IL 19.0
Fric Agg	D	NA	NA
Mix Weight	112 lbs/sy/in	NA	NA
Quality Management Program	QC/QA	QC/QA	QC/QA
Sublot Size	NA	NA	NA
Material Transfer Device	NA	NA	NA

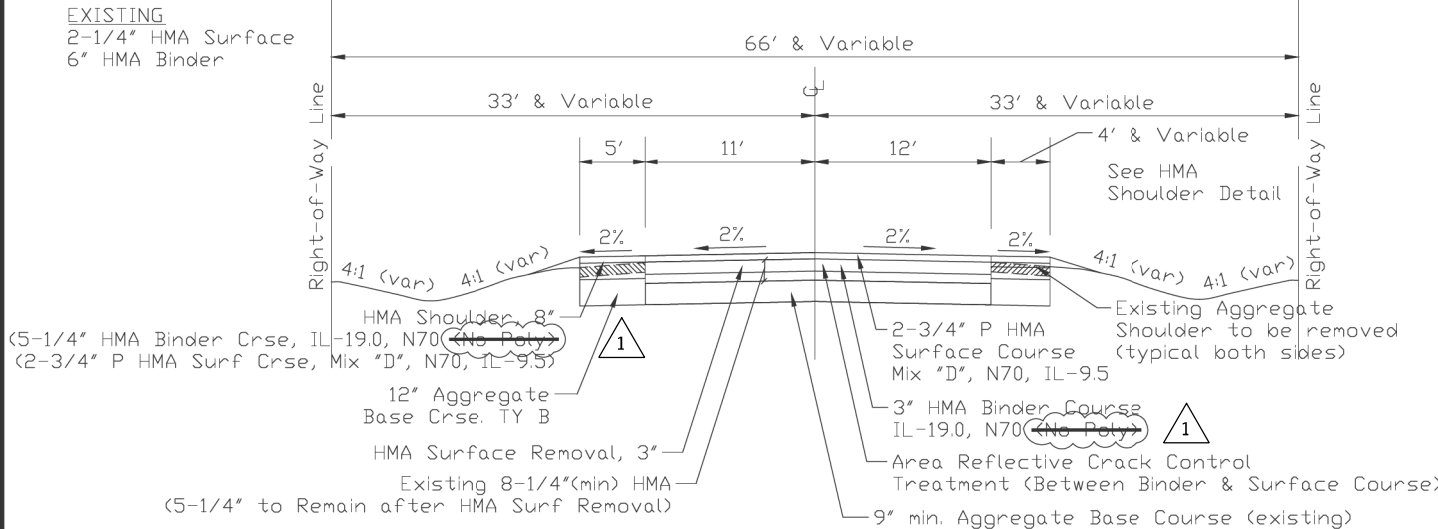
Binder and Surface HMA for shoulder shall be same mixture as roadway

Station	SCHEDULE OF QUANTITY			
	Remove & Dispose Unsuitable Materials (Cubic Yard)	Subbase Granular Material (Ton)	Aggregate Base Course, Type B (Ton)	Pavement Removal Special (Square Yard)
103+00 - 104+25	55	104	105	167
165+39 - 166+50	49	92	93	148
183+66 - 186+34	NA	703	NA	715
299+70 - 300+25	24	45	46	73
305+00 - 300+23	10	19	19	30
327+20 - 327+80	53	100	50	80
HMA Shoulder Agg Base Crse	NA	NA	3040	NA
Total	191	1063	3353	1213

*Limits of Pavement Removal and Removal and Disposal of Unsuitable Materials subject to change per the direction of the Engineer.

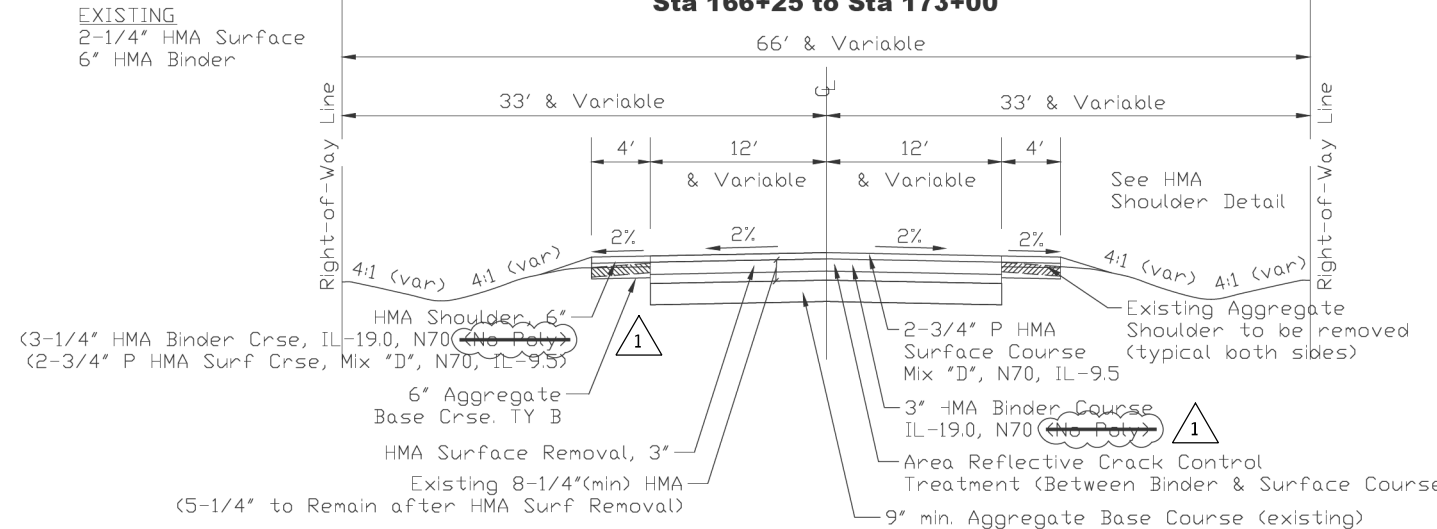
**Proposed Typical Section
Creston Road**

Sta 101+74 to Sta 104+70



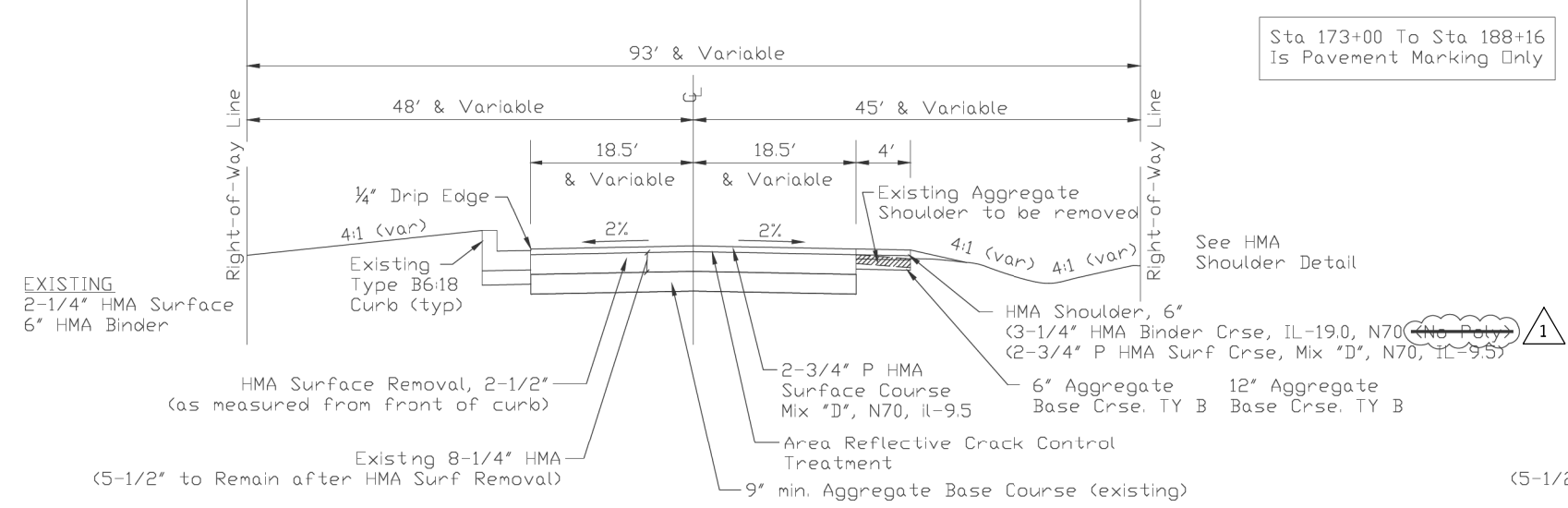
**Proposed Typical Section
Creston Road**

**Sta 108+24 to Sta 157+72
Sta 166+25 to Sta 173+00**



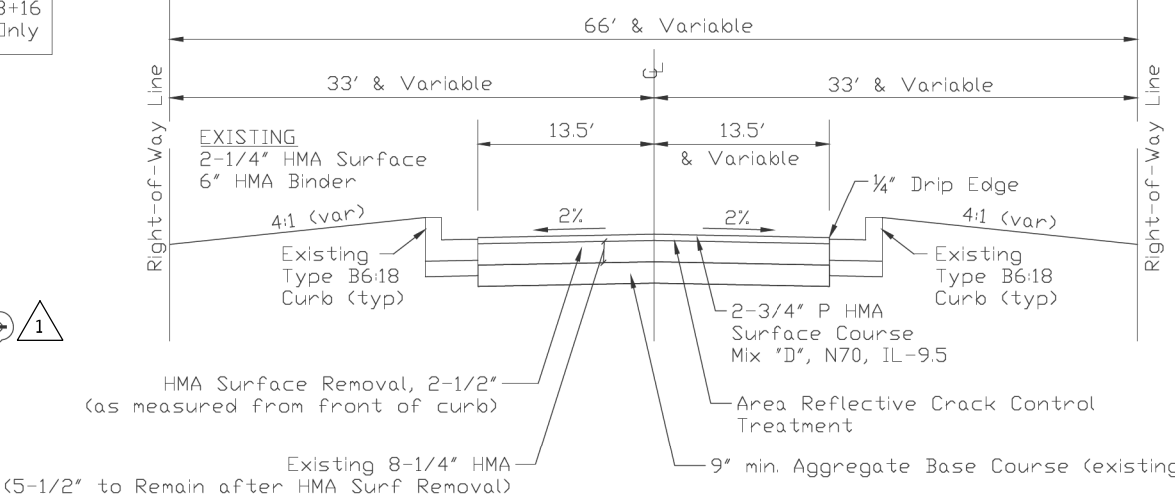
**Proposed Typical Section
Creston Road**

Sta 157+72 to Sta 161+94



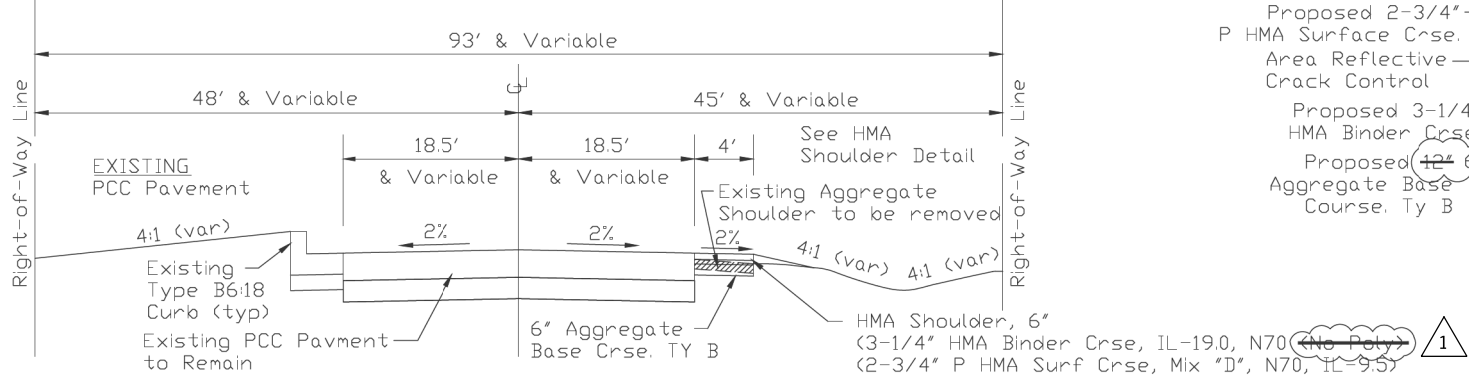
**Proposed Typical Section
Creston Road**

**Sta 104+70 to Sta 108+24
(Omit Sta 105+96 to Sta 107+03)**

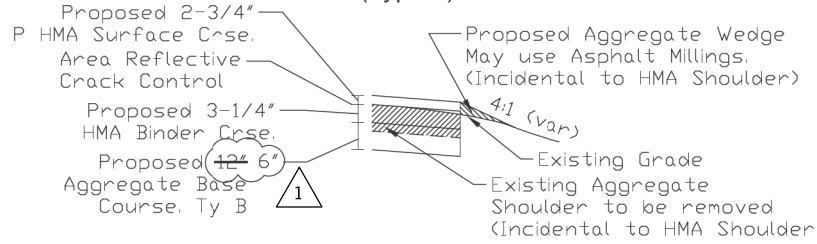


**Proposed Typical Section
Creston Road**

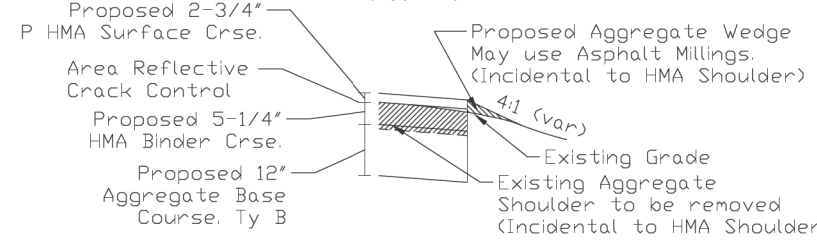
Sta 161+94 to Sta 166+25



Proposed HMA Shoulder, 6" (Typical)



Proposed HMA Shoulder, 8" (Typical)



REVISIONS			
REV	DESCRIPTION	DATE	APPROVED
1	Per IDOT Comments	1/30/2024	ST
2	Per IDOT Comments	3/19/2024	ST
3	Addendum	6/4/2024	ST