

**INDEX OF SHEETS**

- 1. COVER SHEET
- 2. GENERAL NOTES
- 3 - 4. SUMMARY OF QUANTITIES
- 5. TYPICAL SECTIONS
- 6 - 8. SCHEDULES - EASTBOUND LANES
- 9 - 13. SCHEDULES - WESTBOUND LANES
- 14. TRAFFIC CONTROL AND PROTECTION, STANDARD 701400
- 15 - 16. CLASS A PATCHING DETAILS
- 17. PAVEMENT MARKING

**STANDARDS**

- 000001-08 STANDARD SYMBOLS, ABBREVIATIONS AND PATTERNS
- 001001-02 AREAS OF REINFORCEMENT BARS
- 001006 DECIMAL OF AN INCH AND OF A FOOT
- 701101-05 OFF-ROAD OPERATIONS, MULTILANE, 15' (4.5 m) TO 24" (600 mm) FROM PAVEMENT EDGE
- 701106-02 OFF-ROAD OPERATIONS, MULTILANE, MORE THAN 15' (4.5 m) AWAY
- 701401-13 LANE CLOSURE, FREEWAY/EXPRESSWAY
- 701411-09 LANE CLOSURE, MULTILANE, AT ENTRANCE OR EXIT RAMP FOR SPEEDS ≥ 45 MPH
- 701426-09 LANE CLOSURE, MULTILANE INTERMITTENT OR MOVING OPERATION, FOR SPEEDS ≥ 45 MPH
- 701428-01 TRAFFIC CONTROL, SETUP AND REMOVAL, FREEWAY/EXPRESSWAY
- 701901-09 TRAFFIC CONTROL DEVICES

STATE OF ILLINOIS  
DEPARTMENT OF TRANSPORTATION

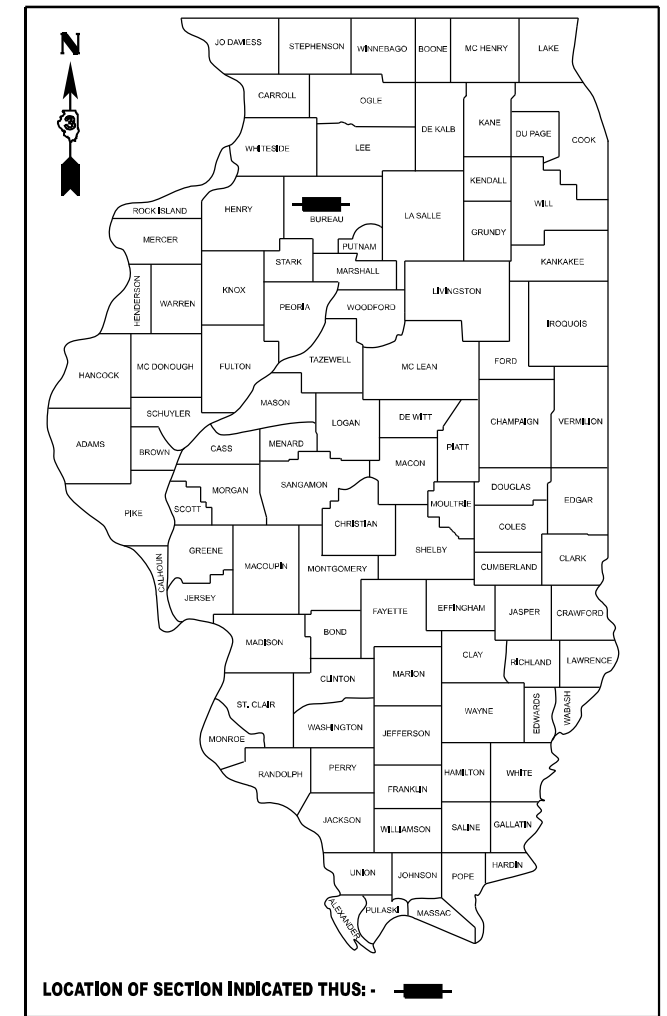
**PROPOSED  
HIGHWAY PLANS**

F.A.I. ROUTE 80 (I-80)  
SECTION 06(3,4,5,6)PP-1  
CLASS B PAVEMENT PATCHING  
BUREAU COUNTY

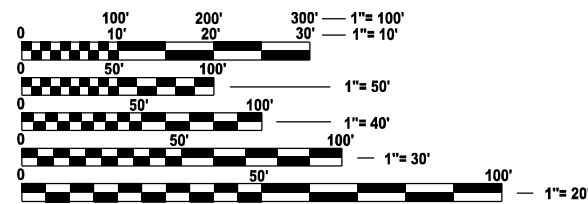
C-93-080-24

F.A.I. RTE.	SECTION	COUNTY	TOTAL SHEETS	SHEET NO.
80	06(3,4,5,6)PP-1	BUREAU	17	1
		ILLINOIS	CONTRACT NO. 66P27	

D-93-043-24

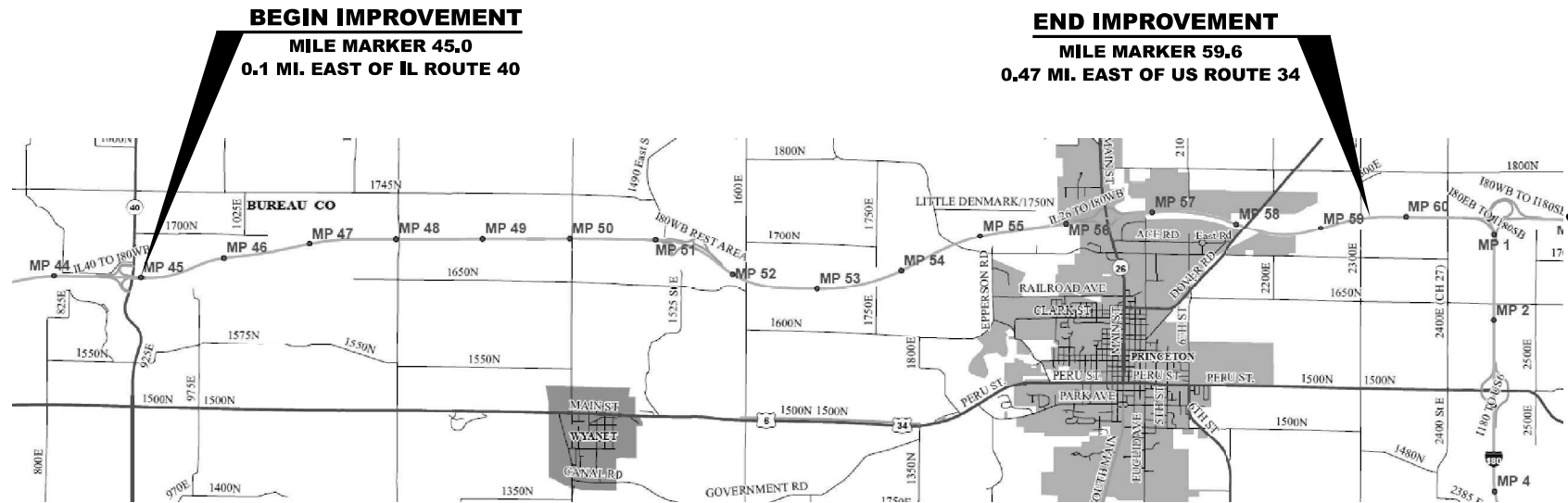


**FUNCTIONAL CLASSIFICATION**  
RURAL INTERSTATE  
F.A.I. ROUTE 80 (I-80)  
2021 ADT = 18900  
P.V. 77.1 % S.U. 18.5 % M.U. 4.4 %



FULL SIZE PLANS HAVE BEEN PREPARED USING STANDARD ENGINEERING SCALES. REDUCED SIZED PLANS WILL NOT CONFORM TO STANDARD SCALES. IN MAKING MEASUREMENTS ON REDUCED PLANS, THE ABOVE SCALES MAY BE USED.

J.U.L.I.E.  
JOINT UTILITY LOCATION INFORMATION FOR EXCAVATION  
1-800-892-0123  
OR 811



GROSS LENGTH = 77,088 FT. = 14.60 MILE (EB)    GROSS LENGTH = 77,088 M FT. = 14.60 MILE (WB)  
NET LENGTH = 539 FT. = 0.10 MILE (EB)        NET LENGTH = 792 FT. = 0.15 MILE (WB)

**PROJECT ENGINEER: YOGESH PATEL P.E.**  
**UNIT CHIEF: RON WOODSHANK**  
DISTRICT NO. 3 (815) 434-6131  
CONTRACT NO. 66P27

STATE OF ILLINOIS  
DEPARTMENT OF TRANSPORTATION

SUBMITTED March 26, 20 24  
*Trisha Thompson* REGIONAL ENGINEER  
May 10, 2024  
*[Signature]*  
ENGINEER OF DESIGN AND ENVIRONMENT  
May 10, 2024  
*[Signature]*  
DIRECTOR OF HIGHWAYS PROJECT IMPLEMENTATION

**PRINTED BY THE AUTHORITY  
OF THE STATE OF ILLINOIS**

**GENERAL NOTES**

ALL EXCAVATED MATERIAL, WHICH INCLUDES DIGGING OR GRADING OF ANY SOIL OR FILL MATERIAL, WITH THE EXCEPTION OF AGGREGATE FILLS, MUST BE INCORPORATED WITHIN THE IDOT RIGHT OF WAY.

**COMMITMENTS**

NONE

**STATE OF ILLINOIS  
DEPARTMENT OF TRANSPORTATION  
DISTRICT THREE  
AS BUILT INFORMATION**

\_\_\_\_\_  
**SUPERVISING CONSTRUCTION FIELD ENGINEER**

\_\_\_\_\_  
**RESIDENT ENGINEER / TECHNICIAN**

**START & END DATES  
OF CONSTRUCTION:**

**INSPECTORS:**

**STATE OF ILLINOIS  
DEPARTMENT OF TRANSPORTATION**

**GENERAL NOTES**

SCALE: SHEET 1 OF 1 SHEETS STA. TO STA.

F.A.I. RTE.	SECTION	COUNTY	TOTAL SHEETS	SHEET NO.
80	06(3,4,5,6)PP-1	BUREAU	17	2
			CONTRACT NO. 66P27	
		ILLINOIS FED. AID PROJECT		

MODEL: Default  
FILE NAME: c:\p\work\pww\dot\woodshank\140968746\66P27.dgn

USER NAME = ronald.woodshank	DESIGNED - RW	REVISED -
	DRAWN - RW	REVISED -
PLOT SCALE = \$\$SCALE\$	CHECKED - YP	REVISED -
PLOT DATE = 2/22/2024	DATE - 1/23/2024	REVISED -

CODE NO.	ITEM	UNIT	TOTAL QUANTITY	CONSTRUCTION CODE	
				100% STATE	100% STATE
				ROADWAY	ROADWAY
				0006 RURAL	0006 URBAN
44200050	WELDED WIRE REINFORCEMENT	SQ YD	295	237	58
44201053	CLASS B PATCHES, TYPE IV, 17 INCH	SQ YD	279	221	58
44201055	CLASS B PATCHES, TYPE II, 17 INCH	SQ YD	1843	1558	285
44201057	CLASS B PATCHES, TYPE III, 17 INCH	SQ YD	37	37	
44201299	DOWEL BARS 1 1/2"	EACH	4360	3680	680
44213200	SAW CUTS	FOOT	11008	9270	1738
44213204	TIE BARS 3/4"	EACH	60	46	14
67100100	MOBILIZATION	L SUM	1	0.75	0.25
70100420	TRAFFIC CONTROL AND PROTECTION, STANDARD 701411	EACH	4		4
70100800	TRAFFIC CONTROL AND PROTECTION, STANDARD 701401	L SUM	1	0.75	0.25
70103815	TRAFFIC CONTROL SURVEILLANCE	CAL DA	35	25	10
70107025	CHANGEABLE MESSAGE SIGN	CAL DA	14	14	
* 78009004	MODIFIED URETHANE PAVEMENT MARKING - LINE 4"	FOOT	2142	1355	787
* 78009006	MODIFIED URETHANE PAVEMENT MARKING - LINE 6"	FOOT	2530	1610	920

\*SPECIALITY ITEMS

MODEL: Default  
FILE NAME: c:\p\work\pww\woodshank\096874668P27.dgn

USER NAME = ronak.woodshank	DESIGNED - RW	REVISED -	<b>STATE OF ILLINOIS DEPARTMENT OF TRANSPORTATION</b>	<b>SUMMARY OF QUANTITIES</b>			F.A.I. RTE.	SECTION	COUNTY	TOTAL SHEETS	SHEET NO.
PLOT SCALE = \$SCALE\$	CHECKED - YP	REVISED -					80	06(3,4,5,6)PP-1	BUREAU	17	3
PLOT DATE = 2/22/2024	DATE - 1/23/2024	REVISED -		SCALE:	SHEET 1	OF 2 SHEETS	STA.	TO STA.	CONTRACT NO. 66P27		
							ILLINOIS FED. AID PROJECT				

CODE NO.	ITEM	UNIT	TOTAL QUANTITY	CONSTRUCTION CODE	
				100% STATE	100% STATE
				ROADWAY	ROADWAY
				0006 RURAL	0006 URBAN
Z0017099	DOWEL BAR ASSEMBLY	EACH	11	8	3

MODEL: Default  
FILE NAME: c:\p\work\woodshank\096574666P27.dgn

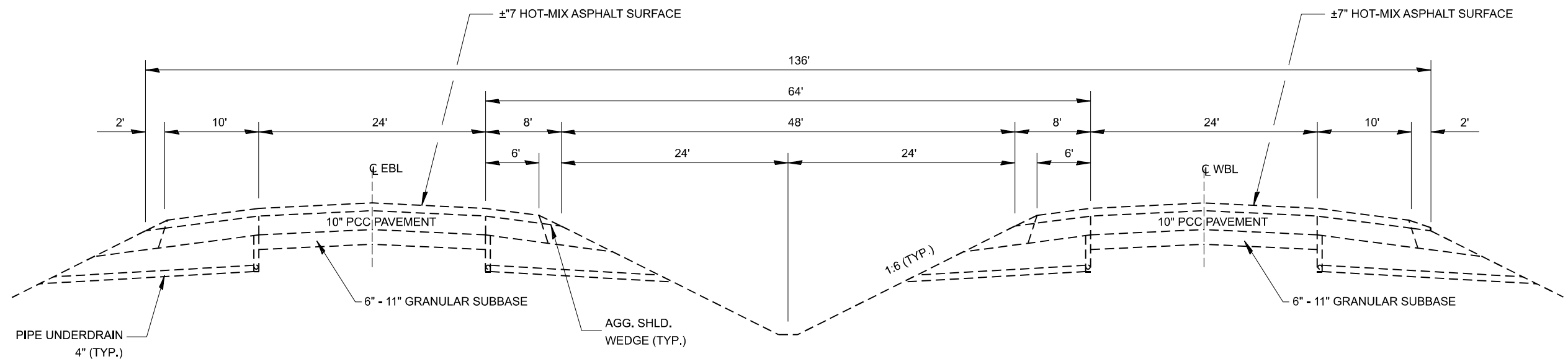
USER NAME = ronakd.woodshank	DESIGNED - RW	REVISED -
	DRAWN - RW	REVISED -
PLOT SCALE = \$\$SCALE\$	CHECKED - YP	REVISED -
PLOT DATE = 2/22/2024	DATE - 1/23/2024	REVISED -

**STATE OF ILLINOIS  
DEPARTMENT OF TRANSPORTATION**

**SUMMARY OF QUANTITIES**

SCALE: SHEET 2 OF 2 SHEETS STA. TO STA.

F.A.I. RTE.	SECTION	COUNTY	TOTAL SHEETS	SHEET NO.
80	06(3,4,5,6)PP-1	BUREAU	17	4
CONTRACT NO. 66P27				
ILLINOIS FED. AID PROJECT				



**TYPICAL SECTION F.A.I.80 (I-80)**  
**MILE MARKER 44.00 - MILE MARKER 60**

MODEL: Default  
 FILE NAME: c:\p\work\woodshank\4096574666P27.dgn

USER NAME = ronald.woodshank	DESIGNED - RW	REVISED -
	DRAWN - RW	REVISED -
PLOT SCALE = \$SCALE\$	CHECKED - YP	REVISED -
PLOT DATE = 2/22/2024	DATE - 1/23/2024	REVISED -

**STATE OF ILLINOIS**  
**DEPARTMENT OF TRANSPORTATION**

**TYPICAL SECTIONS**

SCALE: SHEET 1 OF 1 SHEETS STA. TO STA.

F.A.I. RTE.	SECTION	COUNTY	TOTAL SHEETS	SHEET NO.
80	06(3,4,5,6)PP-1	BUREAU	17	5
CONTRACT NO. 66P27				
ILLINOIS FED. AID PROJECT				

**PATCHING SCHEDULE**

LOCATION EASTBOUND LANES	PATCH LENGTH	PATCH WIDTH	PASSING LANE								DRIVING LANE							
			CLASS B			DOWEL BARS	DOWEL BAR ASSEMBLY	SAW CUTS	WELDED WIRE REINF.	TIE BARS 3/4"	CLASS B			DOWEL BARS	DOWEL BAR ASSEMBLY	SAW CUTS	WELDED WIRE REINF.	TIE BARS 3/4"
			TYPE II	TYPE III	TYPE IV						TYPE II	TYPE III	TYPE IV					
MILE MARKER	FEET	FEET	SQ YD	SQ YD	SQ YD	EACH	EACH	FOOT	SQ YD	EACH	SQ YD	SQ YD	SQ YD	EACH	EACH	FOOT	SQ YD	EACH
<b>RURAL</b>																		
45.95	6	12	8			20		48			8			20		48		
47.30	6	12	8			20		48			8			20		48		
47.74	6	12	8			20		48										
48.55	6	12	8			20		48			8			20		48		
48.85	6	12	8			20		48			8			20		48		
48.91	6	12	8			20		48										
49.08	6	12	8			20		48										
49.46	6	12	8			20		48			8			20		48		
49.48	6	12	8			20		48										
49.62	6	12	8			20		48			8			20		48		
49.79	6	12	8			20		48										
50.04	6	12	8			20		48			8			20		48		
50.08	8	12	11			20		52										
50.66	6	12	8			20		48			8			20		48		
50.78	6	12	8			20		48			8			20		48		
50.79	6	12	8			20		48			8			20		48		
80.83	6	12	8			20		48			8			20		48		
50.98	6	12									8			20		48		
51.15	8	12									11			20		52		
51.28	6	12	8			20		48										
51.42	6	12	8			20		48										
51.52	6	12	8			20		48										
51.68	9	12									12			20		54		
51.75	9	12									12			20		54		
51.78	6	12	8			20		48			8			20		48		
51.97	8	12									11			20		52		
52.01	6	12	8			20		48										
52.23	6	12	8			20		48			8			20		48		
52.37	6	12									8			20		48		
52.45	6	12									8			20		48		
52.49	6	12									8			20		48		
52.60	6	12									8			20		48		
52.92	6	12									8			20		48		
52.96	6	12	8			20		48			8			20		48		
52.98	6	12									8			20		48		
53.00	6	12									8			20		48		
53.02	6	12									8			20		48		
53.03	6	12									8			20		48		
53.08	6	12									8			20		48		
53.09	6	12									8			20		48		
53.17	6	12									8			20		48		
53.22	6	12									8			20		48		
53.36	6	12									8			20		48		
53.55	9	12	12			20		54			12			20		54		

MODEL: Default  
FILE NAME: c:\p\work\woodshank\096574666P27.dgn

USER NAME = ronakd.woodshank	DESIGNED - RW	REVISED -
	DRAWN - RW	REVISED -
PLOT SCALE = \$\$SCALE\$	CHECKED - YP	REVISED -
PLOT DATE = 2/22/2024	DATE - 1/23/2024	REVISED -

**STATE OF ILLINOIS  
DEPARTMENT OF TRANSPORTATION**

**SCHEDULES - CLASS B PATCHING  
EASTBOUND LANES**

SCALE: SHEET 1 OF 3 SHEETS STA. TO STA.

F.A.I. RTE.	SECTION	COUNTY	TOTAL SHEETS	SHEET NO.
80	06(3,4,5,6)PP-1	BUREAU	17	6
ILLINOIS FED. AID PROJECT			CONTRACT NO. 66P27	

**PATCHING SCHEDULE CON'T**

LOCATION  EASTBOUND LANES	PATCH LENGTH	PATCH WIDTH	PASSING LANE								DRIVING LANE								
			CLASS B			DOWEL BARS	DOWEL BAR ASSEMBLY	SAW CUTS	WELDED WIRE REINF.	TIE BARS 3/4"	CLASS B			DOWEL BARS	DOWEL BAR ASSEMBLY	SAW CUTS	WELDED WIRE REINF.	TIE BARS 3/4"	
			TYPE II	TYPE III	TYPE IV						TYPE II	TYPE III	TYPE IV						
MILE MARKER	FEET	FEET	SQ YD	SQ YD	SQ YD	EACH	EACH	FOOT	SQ YD	EACH	SQ YD	SQ YD	SQ YD	EACH	EACH	FOOT	SQ YD	EACH	
<b>RURAL</b>																			
53.60	6	12									8			20			48		
53.82	10	12									13			20			56		
53.95	8	12	11				20		52		11			20			52		
53.97	6	12									8			20			48		
54.30	8	12									11			20			52		
54.31	16	12		21			20		68	21									
54.31	8	12									11			20			52		
54.65	6	12	8				20		48										
54.81	6	12									8			20			48		
54.90	6	12									8			20			48		
55.27	6	12	8				20		48										
55.27	11	12									15			20			58		
<b>URBAN</b>																			
55.47	6	12	8				20		48										
55.93	8	12	11				20		52		11			20			52		
55.94	6	12									8			20			48		
56.28	8	12									11			20			52		
56.29	10	12	13				20		56										
56.29	6	12									8			20			48		
56.48	6	12									8			20			48		
56.49	6	12									8			20			48		
56.63	6	12									8			20			48		
59.98	6	12									8			20			48		
57.25	6	12									8			20			48		
57.39	9	12									12			20			54		
57.78	6	12									8			20			48		
58.60	22	12			29		20	1	80	29	7			20	1		80		
58.90	6	12									8			20			48		
58.91	6	12									8			20			48		
58.94	6	12									8			20			48		
<b>RURAL</b>																			
58.99	6	12									8			20			48		
59.08	6	12									8			20			48		
59.09	6	12									8			20			48		
59.10	10	12									13			20			56		
59.22	6	12									8			20			48		
RURAL SUBTOTALS	410		234	21	21		580	0	1426	21	0	428	0	0	960	0	2368	0	0
URBAN SUBTOTALS	129		32	0	29		80	1	236	29	7	122	0	0	300	1	766	0	0
<b>EBL TOTALS</b>	<b>539</b>		<b>266</b>	<b>21</b>	<b>50</b>		<b>660</b>	<b>1</b>	<b>1662</b>	<b>50</b>	<b>7</b>	<b>550</b>	<b>0</b>	<b>0</b>	<b>1260</b>	<b>1</b>	<b>3134</b>	<b>0</b>	<b>0</b>

MODEL: Default  
FILE NAME: c:\p\work\pww\woodshank\140965746\66P27.dgn

USER NAME = ronakd.woodshank	DESIGNED - RW	REVISED -
	DRAWN - RW	REVISED -
PLOT SCALE = \$SCALES	CHECKED - YP	REVISED -
PLOT DATE = 2/22/2024	DATE - 1/23/2024	REVISED -

**STATE OF ILLINOIS  
DEPARTMENT OF TRANSPORTATION**

**SCHEDULES - CLASS B PATCHING  
EASTBOUND LANES**

SCALE: SHEET 2 OF 3 SHEETS STA. TO STA.

F.A.I. RTE.	SECTION	COUNTY	TOTAL SHEETS	SHEET NO.
80	06(3,4,5,6)PP-1	BUREAU	17	7
			CONTRACT NO. 66P27	
		ILLINOIS	FED. AID PROJECT	

**PAVEMENT MARKING SCHEDULES**

LOCATION  EASTBOUND LANES	PASSING LANE			DRIVING LANE		
	PATCH LENGTH	MODIFIED URETHANE PAVEMENT MARKING LINE - 4"	MODIFIED URETHANE PAVEMENT MARKING LINE - 6"	PATCH LENGTH	MODIFIED URETHANE PAVEMENT MARKING LINE - 4"	MODIFIED URETHANE PAVEMENT MARKING LINE - 6"
		YELLOW FOOT	WHITE FOOT		WHITE FOOT	WHITE FOOT
MILE MARKER	FOOT	FOOT	FOOT	FOOT	FOOT	FOOT
<b>RURAL</b>						
45.95	6	6		6	6	10
47.30	6	6		6	6	10
47.74	6	6				10
48.55	6	6		6	6	10
48.85	6	6		6	6	10
48.91	6	6				10
49.08	6	6				10
49.46	6	6		6	6	10
49.48	6	6				10
49.62	6	6		6	6	10
49.79	6	6				10
50.04	6	6		6	6	10
50.08	8	8				10
50.66	6	6		6	6	10
50.78	6	6		6	6	10
50.79	6	6		6	6	10
80.83	6	6		6	6	10
50.98				6	6	10
51.15				8	8	10
51.28	6	6				10
51.42	6	6				10
51.52	6	6				10
51.68				9	9	10
51.75				9	9	10
51.78	6	6		6	6	10
51.97				8	8	10
52.01	6	6				10
52.23	6	6		6	6	10
52.37				6	6	10
52.45				6	6	10
52.49				6	6	10
52.60				6	6	10
52.92				6	6	10
52.96	6	6		6	6	10
52.98				6	6	10
53.00				6	6	10
53.02				6	6	10
53.03				6	6	10
53.08				6	6	10
53.09				6	6	10
53.17				6	6	10
53.22				6	6	10
53.36				6	6	10
53.55				9	9	10

**PAVEMENT MARKING SCHEDULES CON'T**

LOCATION  EASTBOUND LANES	PASSING LANE			DRIVING LANE		
	PATCH LENGTH	MODIFIED URETHANE PAVEMENT MARKING LINE - 4"	MODIFIED URETHANE PAVEMENT MARKING LINE - 6"	PATCH LENGTH	MODIFIED URETHANE PAVEMENT MARKING LINE - 4"	MODIFIED URETHANE PAVEMENT MARKING LINE - 6"
		YELLOW FOOT	WHITE FOOT		WHITE FOOT	WHITE FOOT
MILE MARKER	FOOT	FOOT	FOOT	FOOT	FOOT	FOOT
<b>RURAL</b>						
53.60				6	6	10
53.82				10	10	10
53.95	8	8		8	8	10
53.97				6	6	10
54.30				8	8	10
54.31	16	16				10
54.31				8	8	10
54.65	6	6				10
54.81				6	6	10
54.90				6	6	10
55.27	6	6				10
55.27				11	11	10
<b>URBAN</b>						
55.47	6	6				10
55.93	8	8		8	8	10
55.94				6	6	10
56.28				8	8	10
56.29	10	10				10
56.29	6	6		6	6	10
56.48				6	6	10
56.49				6	6	10
56.63				6	6	10
56.98				6	6	10
57.25				6	6	10
57.39				9	9	10
57.78				6	6	10
58.60	22	22		22	22	10
58.90				6	6	10
58.91				6	6	10
58.94				6	6	10
<b>RURAL</b>						
58.99				6	6	10
59.08				6	6	10
59.09				6	6	10
59.10				10	10	10
59.22				6	6	10
RURAL SUBTOTALS	182	182	0	320	320	610
URBAN SUBTOTALS	52	52	0	113	113	170
<b>EBL TOTALS</b>	<b>234</b>	<b>234</b>	<b>0</b>	<b>433</b>	<b>433</b>	<b>780</b>

MODEL: Default  
FILE NAME: c:\pwworkspace\woodshank\1096627\666P27.dgn

USER NAME = ronakd.woodshank	DESIGNED - RW	REVISED -
	DRAWN - RW	REVISED -
PLOT SCALE = \$SCALE\$	CHECKED - YP	REVISED -
PLOT DATE = 2/22/2024	DATE - 1/23/2024	REVISED -

**STATE OF ILLINOIS  
DEPARTMENT OF TRANSPORTATION**

**SCHEDULES - PAVEMENT MARKING  
EASTBOUND LANES**

SCALE: SHEET 3 OF 3 SHEETS STA. TO STA.

F.A.I. RTE.	SECTION	COUNTY	TOTAL SHEETS	SHEET NO.
80	06(3,4,5,6)PP-1	BUREAU	17	8
CONTRACT NO. 66P27				
ILLINOIS		FED. AID PROJECT		



### PATCHING SCHEDULE

LOCATION  WESTBOUND LANES	PATCH LENGTH	PATCH WIDTH	PASSING LANE								DRIVING LANE							
			CLASS B			DOWEL BARS	DOWEL BAR ASSEMBLY	SAW CUTS	WELDED WIRE REINF.	TIE BARS 3/4"	CLASS B			DOWEL BARS	DOWEL BAR ASSEMBLY	SAW CUTS	WELDED WIRE REINF.	TIE BARS 3/4"
			TYPE II	TYPE III	TYPE IV						TYPE II	TYPE III	TYPE IV					
MILE MARKER	FEET	FEET	SQ YD	SQ YD	SQ YD	EACH	EACH	FOOT	SQ YD	EACH	SQ YD	SQ YD	SQ YD	EACH	EACH	FOOT	SQ YD	EACH
<b>RURAL</b>																		
59.60	32	12			43	20	2	100	43	10								
59.60	8	12									11			20		52		
59.50	20	12			27	20	1	76	27	6			27		1		27	6
59.45	6	12	8			20		48			8			20		48		
59.40	6	12	8			20		48										
59.30	8	12									11			20		52		
59.10	11	12									15			20		58		
<b>URBAN</b>																		
58.70	10	12									13			20		56		
57.85	22	12											29		1		29	7
57.80	6	12	8			20		48										
57.50	8	12									11			20		52		
57.30	6	12									8			20		48		
55.50	6	12	8			20		48			8			20		48		
55.42	6	12	8			20		48										
55.40	6	12	8			20		48										
55.38	6	12	8			20		48			8			20		48		
55.37	6	12	8			20		48			8			20		48		
55.36	6	12	8			20		48			8			20		48		
55.35	8	12	11			20		52										
<b>RURAL</b>																		
55.32	6	12									8			20		48		
54.90	9	12									12			20		54		
54.87	6	12									8			20		48		
54.85	6	12									8			20		48		
54.50	6	12	8			20		48			8			20		48		
54.40	6	12									8			20		48		
54.39	6	12	8			20		48			8			20		48		
54.38	6	12									8			20		48		
54.37	6	12	8			20		48			8			20		48		
54.30	6	12	8			20		48										
54.25	6	12									8			20		48		
54.18	6	12									8			20		48		
54.02	6	12									8			20		48		
54.02	22	12											29		1		80	29 7
53.85	6	12									8			20		48		
53.84	6	12	8			20		48			8			20		48		
53.83	6	12									8			20		48		
53.80	6	12									8			20		48		
53.79	6	12	8			20		48										
53.78	6	12									8			20		48		
53.77	8	12	11			20		52			11			20		52		
53.75	6	12									8			20		48		
53.70	8	12	11			20		52			11			20		52		
53.69	6	12									8			20		48		
53.57	10	12									13			20		56		

MODEL: Default  
FILE NAME: c:\pwwork\woodshank\096874666P27.dgn

USER NAME = ronakd.woodshank	DESIGNED - RW	REVISED -
	DRAWN - RW	REVISED -
PLOT SCALE = \$\$CALES	CHECKED - YP	REVISED -
PLOT DATE = 2/22/2024	DATE - 1/23/2024	REVISED -

**STATE OF ILLINOIS  
DEPARTMENT OF TRANSPORTATION**

**SCHEDULES - PATCHING  
WESTBOUND LANES**

SCALE: SHEET 1 OF 5 SHEETS STA. TO STA.

F.A.I. RTE.	SECTION	COUNTY	TOTAL SHEETS	SHEET NO.
80	06(3,4,5,6)PP-1	BUREAU	17	9
CONTRACT NO. 66P27				
		ILLINOIS FED. AID PROJECT		

**PATCHING SCHEDULE CON'T**

LOCATION  WESTBOUND LANES	PATCH LENGTH	PATCH WIDTH	PASSING LANE								DRIVING LANE								
			CLASS B			DOWEL BARS	DOWEL BAR ASSEMBLY	SAW CUTS	WELDED WIRE REINF.	TIE BARS 3/4"	CLASS B			DOWEL BARS	DOWEL BAR ASSEMBLY	SAW CUTS	WELDED WIRE REINF.	TIE BARS 3/4"	
			TYPE II	TYPE III	TYPE IV						TYPE II	TYPE III	TYPE IV						
MILE MARKER	FEET	FEET	SQ YD	SQ YD	SQ YD	EACH	EACH	FOOT	SQ YD	EACH	SQ YD	SQ YD	SQ YD	EACH	EACH	FOOT	SQ YD	EACH	
<b>RURAL</b>																			
53.56	6	12									8			20			48		
53.46	8	12									11			20			52		
53.36	8	12									11			20			52		
53.35	6	12	8				20		48		8			20			48		
53.34	6	12									8			20			48		
53.20	6	12									8			20			48		
53.10	6	12									8			20			48		
53.09	6	12									8			20			48		
53.00	6	12	8				20		48										
52.97	12	12										16		20			60	16	
52.90	6	12	8				20		48										
52.80	6	12	8				20		48										
52.78	10	12									13			20			56		
52.73	6	12	8				20		48		8			20			48		
52.72	6	12	8				20		48		8			20			48		
52.72	35	12											47	20	2	106	47	11	
52.71	9	12									12			20			54		
52.60	6	12	8				20		48										
52.50	9	12									12			20			54		
52.46	10	12									13			20			56		
52.43	10	12	13				20		56		13			20			56		
52.41	6	12									8			20			48		
52.20	9	12	12				20		54										
52.19	8	12									11			20			52		
51.90	6	12	8				20		48										
51.89	6	12									8			20			48		
51.88	6	12									8			20			48		
51.87	6	12									8			20			48		
51.86	6	12									8			20			48		
51.76	6	12	8				20		48		8			20			48		
51.70	6	12	8				20		48										
51.60	6	12	8				20		48		8			20			48		
51.59	6	12	8				20		48		8			20			48		
51.10	6	12	8				20		48										
51.01	6	12	8				20		48										
50.80	10	12	13				20		56										
50.80	6	12									8			20			48		
50.79	10	12	13				20		56										
50.70	6	12									8			20			48		
50.60	6	12	8				20		48										
50.01	6	12									8			20			48		
49.89	6	12	8				20		48										
49.88	6	12									8			20			48		
49.70	6	12	8				20		48										

MODEL: Default  
FILE NAME: c:\pwwork\woodshank\096674666P27.dgn

USER NAME = ronakd.woodshank	DESIGNED - RW	REVISED -
	DRAWN - RW	REVISED -
PLOT SCALE = \$SCALE\$	CHECKED - YP	REVISED -
PLOT DATE = 2/22/2024	DATE - 1/23/2024	REVISED -

**STATE OF ILLINOIS  
DEPARTMENT OF TRANSPORTATION**

**SCHEDULES - PATCHING  
WESTBOUND LANES**

SCALE: SHEET 2 OF 5 SHEETS STA. TO STA.

F.A.I. RTE.	SECTION	COUNTY	TOTAL SHEETS	SHEET NO.
80	06(3,4,5,6)PP-1	BUREAU	17	10
CONTRACT NO. 66P27				
ILLINOIS FED. AID PROJECT				

**PATCHING SCHEDULE CON'T**

LOCATION  WESTBOUND LANES	PATCH LENGTH	PATCH WIDTH	PASSING LANE								DRIVING LANE							
			CLASS B			DOWEL BARS	DOWEL BAR ASSEMBLY	SAW CUTS	WELDED WIRE REINF.	TIE BARS 3/4"	CLASS B			DOWEL BARS	DOWEL BAR ASSEMBLY	SAW CUTS	WELDED WIRE REINF.	TIE BARS 3/4"
			TYPE II	TYPE III	TYPE IV						TYPE II	TYPE III	TYPE IV					
MILE MARKER	FEET	FEET	SQ YD	SQ YD	SQ YD	EACH	EACH	FOOT	SQ YD	EACH	SQ YD	SQ YD	SQ YD	EACH	EACH	FOOT	SQ YD	EACH
<b>RURAL</b>																		
49.65	8	12									11			20		52		
49.10	20	12			27	20	1	76	27	6								
48.91	6	12	8			20		48										
47.45	6	12									8		20		48			
47.30	6	12	8			20		48			8		20		48			
47.01	6	12	8			20		48										
46.87	6	12	8			20		48			8		20		48			
46.70	6	12	8			20		48										
46.04	6	12	8			20		48										
45.90	6	12	8			20		48			8		20		48			
45.86	6	12	8			20		48										
45.69	6	12	8			20		48			8		20		48			
45.68	6	12									8		20		48			
RURAL SUBTOTALS	696		345	0	97	860	4	2210	97	22	551	16	103	1280	4	3266	119	24
URBAN SUBTOTALS	96		67	0	0	160	0	388	0	0	64	0	29	140	1	348	29	7
<b>WBL TOTALS</b>	<b>792</b>		<b>412</b>	<b>0</b>	<b>97</b>	<b>1020</b>	<b>4</b>	<b>2598</b>	<b>97</b>	<b>22</b>	<b>615</b>	<b>16</b>	<b>132</b>	<b>1420</b>	<b>5</b>	<b>3614</b>	<b>148</b>	<b>31</b>

MODEL: Default  
FILE NAME: c:\p\work\pww\woodshank\096874666P27.dgn

USER NAME = ronak.woodshank	DESIGNED - RW	REVISED -
	DRAWN - RW	REVISED -
PLOT SCALE = \$SCALE\$	CHECKED - YP	REVISED -
PLOT DATE = 2/22/2024	DATE - 1/23/2024	REVISED -

**STATE OF ILLINOIS  
DEPARTMENT OF TRANSPORTATION**

**SCHEDULES - PATCHING  
WESTBOUND LANES**

SCALE: SHEET 3 OF 5 SHEETS STA. TO STA.

F.A.I. RTE.	SECTION	COUNTY	TOTAL SHEETS	SHEET NO.
80	06(3,4,5,6)PP-1	BUREAU	17	11
			CONTRACT NO. 66P27	
		ILLINOIS	FED. AID PROJECT	

**PAVEMENT MARKING SCHEDULES**

LOCATION  WESTBOUND LANES	PASSING LANE			DRIVING LANE		
	PATCH LENGTH	MODIFIED URETHANE PAVEMENT MARKING LINE - 4"	MODIFIED URETHANE PAVEMENT MARKING LINE - 6"	PATCH LENGTH	MODIFIED URETHANE PAVEMENT MARKING LINE - 4"	MODIFIED URETHANE PAVEMENT MARKING LINE - 6"
		YELLOW	WHITE		WHITE	WHITE
MILE MARKER	FOOT	FOOT	FOOT	FOOT	FOOT	FOOT
<b>RURAL</b>						
59.60	32	32				40
59.60				8	8	10
59.50	20	20		20	20	20
59.45	6	6		6	6	10
59.40	6	6				10
59.30				8	8	10
59.10				11	11	20
<b>URBAN</b>						
58.70				10	10	10
57.85				22	22	30
57.80	6	6				10
57.50				8	8	10
57.30				6	6	10
55.50	6	6		6	6	10
55.42	6	6				10
55.40	6	6				10
55.38	6	6		6	6	10
55.37	6	6		6	6	10
55.36	6	6		6	6	10
55.35	8	8				10
<b>RURAL</b>						
55.32				6	6	10
54.90				9	9	10
54.87				6	6	10
54.85				6	6	10
54.50	6	6		6	6	10
54.40				6	6	10
54.39	6	6		6	6	10
54.38				6	6	10
54.37	6	6		6	6	10
54.30	6	6				10
54.25				6	6	10
54.18				6	6	10
54.02				6	6	10
54.02	22	22		22	22	30
53.85				6	6	10
53.84	6	6		6	6	10
53.83				6	6	10
53.80				6	6	10
53.79	6	6				10
53.78				6	6	10
53.77	8	8		8	8	10
53.75				6	6	10
53.70	8	8		8	8	10
53.69				6	6	10
53.57				10	10	10

**PAVEMENT MARKING SCHEDULES CON'T**

LOCATION  WESTBOUND LANES	PASSING LANE			DRIVING LANE		
	PATCH LENGTH	MODIFIED URETHANE PAVEMENT MARKING LINE - 4"	MODIFIED URETHANE PAVEMENT MARKING LINE - 6"	PATCH LENGTH	MODIFIED URETHANE PAVEMENT MARKING LINE - 4"	MODIFIED URETHANE PAVEMENT MARKING LINE - 6"
		YELLOW	WHITE		WHITE	WHITE
MILE MARKER	FOOT	FOOT	FOOT	FOOT	FOOT	FOOT
<b>RURAL</b>						
53.56				6	6	10
53.46				8	8	10
53.36				8	8	10
53.35	6	6		6	6	10
53.34				6	6	10
53.20				6	6	10
53.10				6	6	10
53.09				6	6	10
53.00	6	6				10
52.97				12	12	20
52.90	6	6				10
52.80	6	6				10
52.78				10	10	10
52.73	6	6		6	6	10
52.72	6	6				10
52.72				35	35	40
52.71				9	9	10
52.60	6	6				10
52.50				9	9	10
52.46				10	10	10
52.43	10	10		10	10	10
52.41				6	6	10
52.20	9	9				10
52.19				8	8	10
51.90	6	6				10
51.89				6	6	10
51.88				6	6	10
51.87				6	6	10
51.86				6	6	10
51.76	6	6		6	6	10
51.70	6	6				10
51.60	6	6		6	6	10
51.59	6	6		6	6	10
51.10	6	6				10
51.01	6	6				10
50.80	10	10				10
50.80				6	6	10
50.79	10	10				10
50.70				6	6	10
50.60	6	6				10
50.01				6	6	10
49.89	6	6				10
49.88	6	6		6	6	10
49.70	6	6				10

MODEL: Default  
FILE NAME: c:\pwwork\woodshank\d096874668P27.dgn

USER NAME = ronald.woodshank	DESIGNED - RW	REVISED -
DRAWN - RW	CHECKED - YP	REVISED -
PLLOT SCALE = \$SCALE\$	DATE - 1/23/2024	REVISED -
PLLOT DATE = 2/22/2024		

**STATE OF ILLINOIS  
DEPARTMENT OF TRANSPORTATION**

**SCHEDULES - PAVEMENT MARKING  
WESTBOUND LANES**

SCALE: SHEET 4 OF 5 SHEETS STA. TO STA.

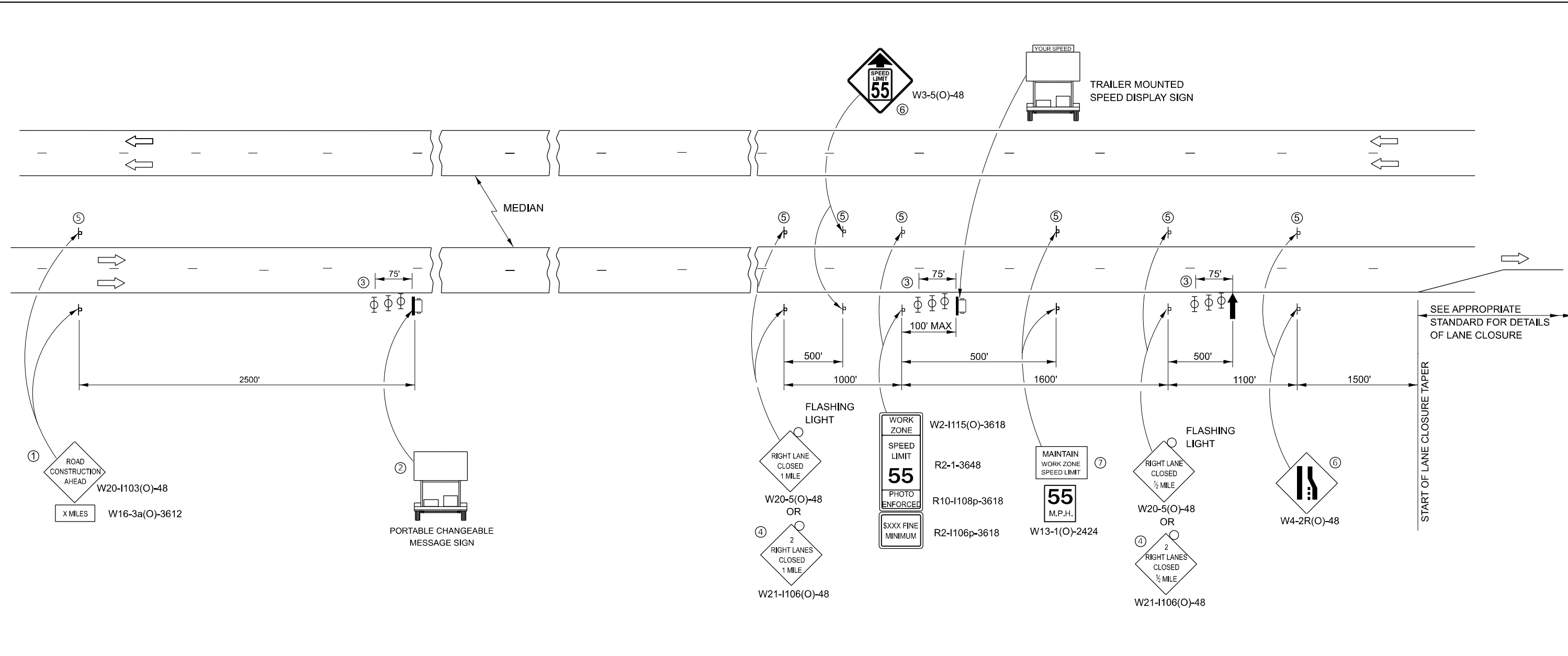
F.A.I. RTE.	SECTION	COUNTY	TOTAL SHEETS	SHEET NO.
80	06(3,4,5,6)PP-1	BUREAU	17	12
CONTRACT NO. 66P27				
ILLINOIS FED. AID PROJECT				

**PAVEMENT MARKING SCHEDULES CON'T**

LOCATION  WESTBOUND LANES	PASSING LANE			DRIVING LANE		
	PATCH LENGTH	MODIFIED URETHANE PAVEMENT MARKING LINE - 4"	MODIFIED URETHANE PAVEMENT MARKING LINE - 6"	PATCH LENGTH	MODIFIED URETHANE PAVEMENT MARKING LINE - 4"	MODIFIED URETHANE PAVEMENT MARKING LINE - 6"
		YELLOW	WHITE		WHITE	WHITE
MILE MARKER	FOOT	FOOT	FOOT	FOOT	FOOT	FOOT
<b>RURAL</b>						
49.65				8	8	10
49.10	19	19				10
48.91	6	6				10
47.45				6	6	10
47.30	6	6		6	6	10
47.01	6	6				10
46.87	6	6		6	6	10
46.70	6	6				10
46.04	6	6				10
45.90	6	6		6	6	10
45.86	6	6				10
45.69	6	6		6	6	10
45.68				6	6	10
RURAL SUBTOTALS	358	358	0	495	495	1000
URBAN SUBTOTALS	50	50	0	70	70	140
<b>WBL TOTALS</b>	<b>408</b>	<b>408</b>	<b>0</b>	<b>565</b>	<b>565</b>	<b>1140</b>

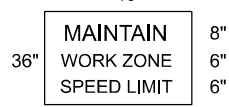
MODEL: Default  
FILE NAME: c:\p\work\pav\woodshank\066627.dgn

USER NAME = ronakd.woodshank	DESIGNED - RW	REVISED -	<b>STATE OF ILLINOIS DEPARTMENT OF TRANSPORTATION</b>	<b>SCHEDULES - PAVEMENT MARKING WESTBOUND LANES</b>		F.A.I. RTE.	SECTION	COUNTY	TOTAL SHEETS	SHEET NO.		
PLOT SCALE = \$SCALE\$	DRAWN - RW	REVISED -		SCALE:	SHEET 5 OF 5 SHEETS	STA.	TO STA.	80	06(3,4,5,6)PP-1	BUREAU	17	13
PLOT DATE = 2/22/2024	CHECKED - YP	REVISED -								CONTRACT NO. 66P27		
DATE - 1/23/2024	DATE - 1/23/2024	REVISED -								ILLINOIS FED. AID PROJECT		



- ① THE ROAD CONSTRUCTION AHEAD SIGN SHALL BE LOCATED 3 MILES IN ADVANCE OF THE PROJECT LIMITS.
- ② THE MESSAGE BOARD SHALL BE USED TO DISPLAY STATUS OF LANES WITHIN THE PROJECT. THE PRIMARY MESSAGES SHALL BE:  
 "RIGHT LANE CLOSED" / " x MILES AHEAD"  
 "LEFT LANE CLOSED" / " x MILES AHEAD"  
 "ALL LANES OPEN"
- ③ THREE, TYPE II BARRICADES, DRUMS, OR VERTICAL BARRICADES AT 25' CENTERS.
- ④ THIS SIGN SHALL BE USED WHEN 2 LANES ARE CLOSED.
- ⑤ THIS SIGN SHALL BE OMITTED WHEN THE MEDIAN WIDTH IS LESS THAN 10'.
- ⑥ THIS SIGN SHALL ONLY BE USED IF THE EXISTING SPEED LIMIT IS GREATER THAN 65 MPH.

⑦ 48"x36" FLUORESCENT ORANGE SIGN WITH BLACK LETTERS.



"MAINTAIN WORK ZONE SPEED LIMIT" SIGN SHALL NOT BE PAID FOR SEPARATELY BUT SHALL BE INCLUDED IN THIS TRAFFIC CONTROL STANDARD.

**SYMBOLS**

- ↑ ARROW BOARD
- ☐ PORTABLE CHANGEABLE MESSAGE SIGN
- ⊥ SIGN
- ⊕ TYPE II BARRICADE, DRUM, OR VERTICAL BARRICADE WITH MONODIRECTIONAL FLASHING LIGHT

**GENERAL NOTE:**

THIS STANDARD IS USED WHERE AT ANY TIME A LANE IS CLOSED ON A FREEWAY/EXPRESSWAY.

WHEN THE LEFT LANE IS CLOSED, LEFT LANE CLOSED SIGNS SHALL BE SUBSTITUTED FOR THE RIGHT LANE CLOSED SIGNS.

THE FIRST THREE SIGNS, RUMBLE STRIPS AND THE MESSAGE BOARD ARE STATIONARY. THE OTHER SIGNS AND ARROWBOARDS SHALL BE MOVED AS NECESSARY TO MAINTAIN THE REQUIRED DISTANCE FROM THE START OF THE LANE CLOSURE TAPER(S).

SEE SPECIAL PROVISIONS.

MODEL: Default  
FILE NAME: c:\pwworking\woodshank\100968746\66P27.dgn

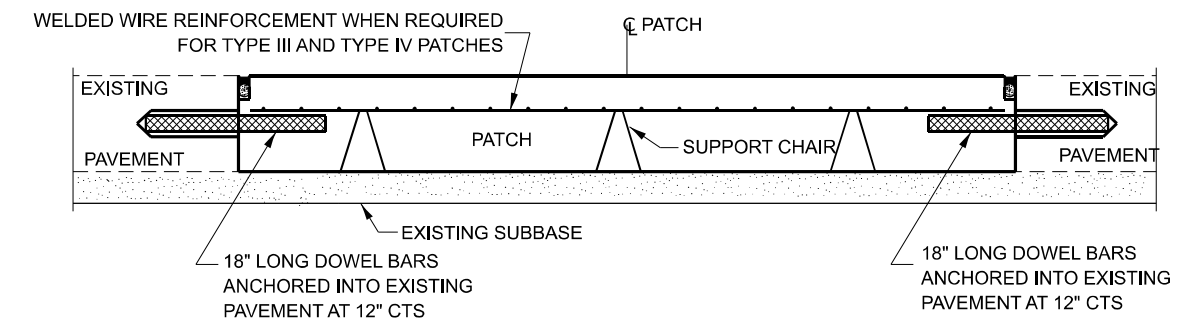
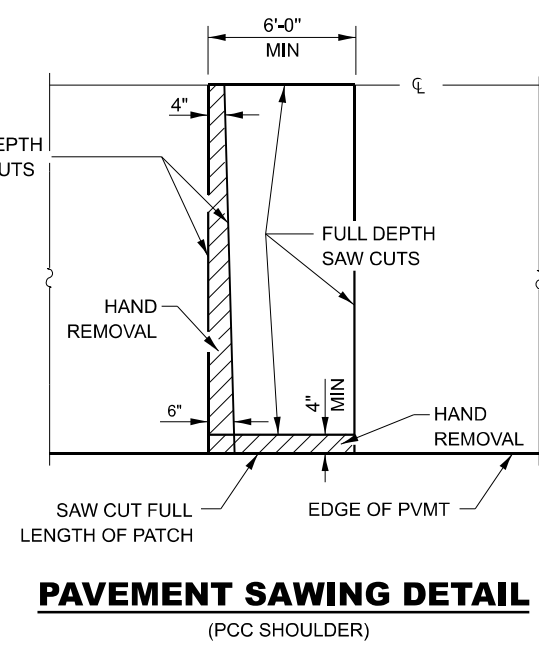
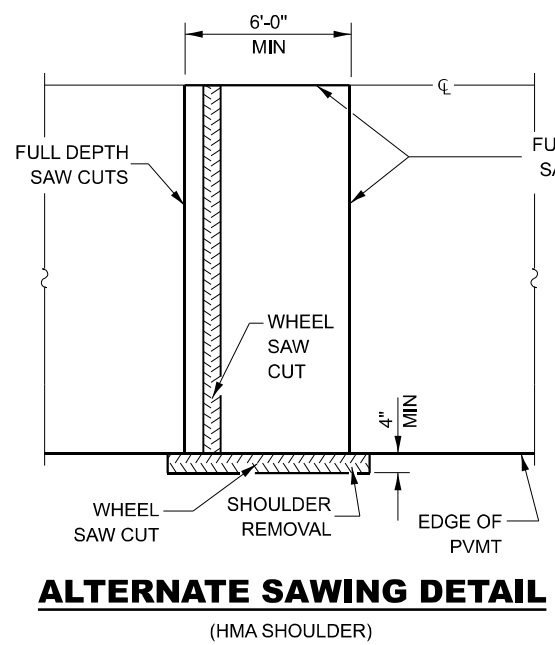
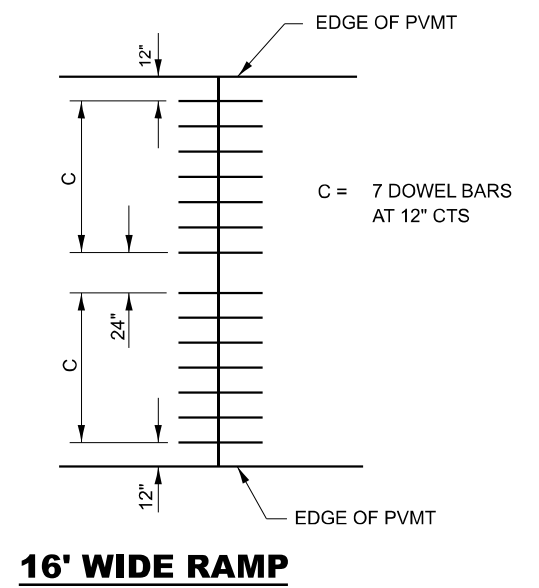
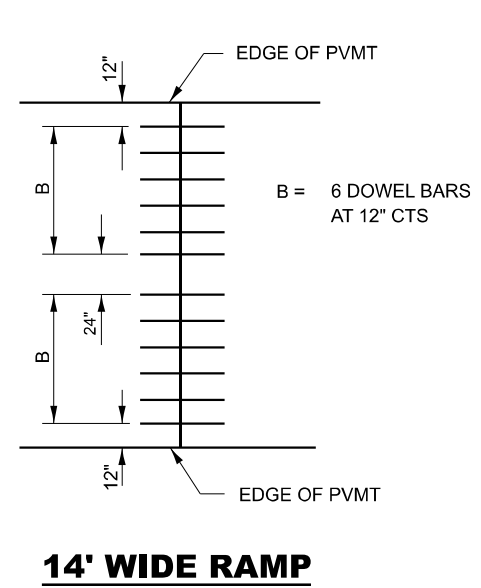
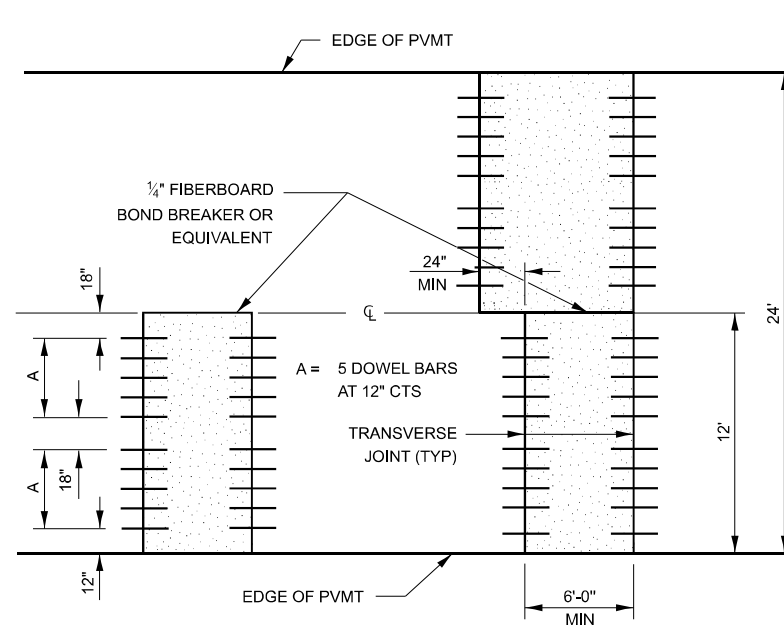
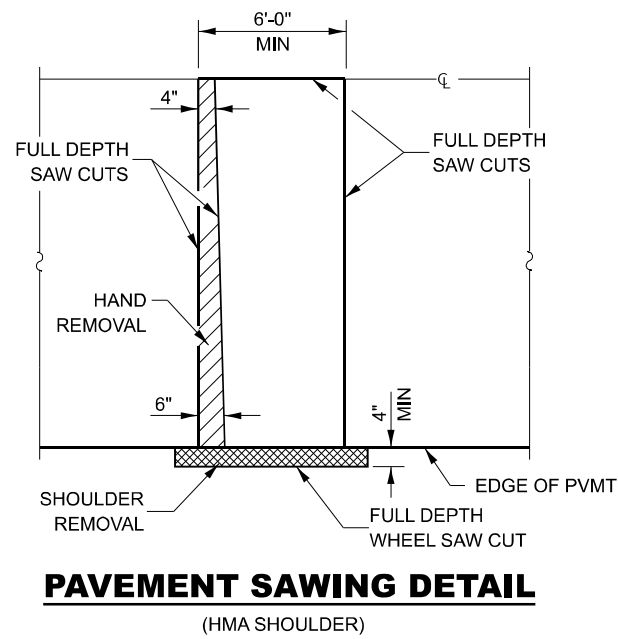
USER NAME = ronald.woodshank	DESIGNED - RW	REVISED -
DRAWN - RW	REVISIONS -	
PLOT SCALE = \$\$SCALE\$	CHECKED - YP	REVISED -
PLOT DATE = 2/22/2024	DATE - 1/23/2024	REVISED -

STATE OF ILLINOIS  
DEPARTMENT OF TRANSPORTATION

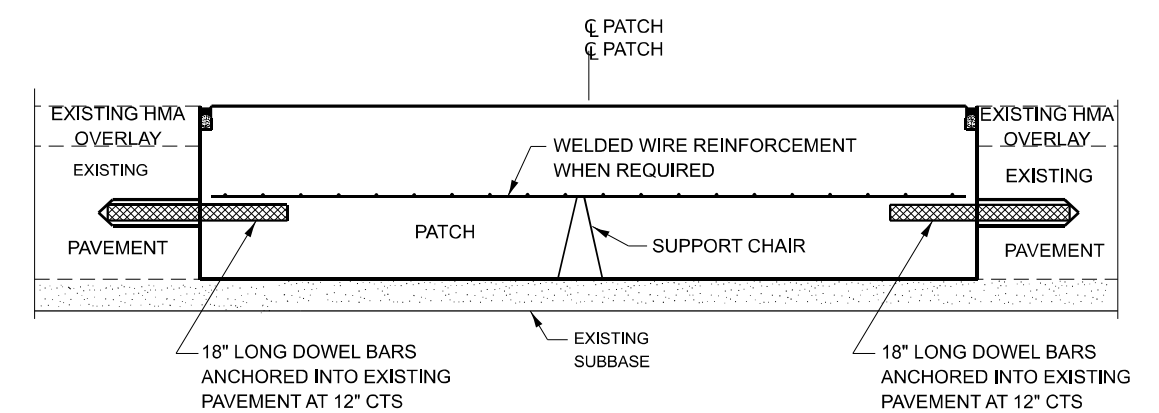
TRAFFIC CONTROL AND PROTECTION, STANDARD 701400

SCALE: SHEET 1 OF 1 SHEETS STA. TO STA.

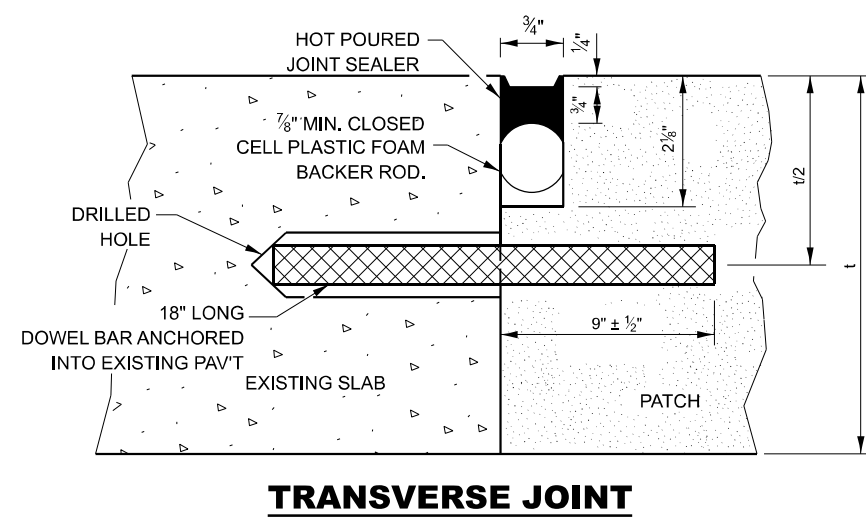
F.A.I. RTE.	SECTION	COUNTY	TOTAL SHEETS	SHEET NO.
80	06(3,4,5,6)PP-1	BUREAU	17	14
CONTRACT NO. 66P27				
ILLINOIS FED. AID PROJECT				



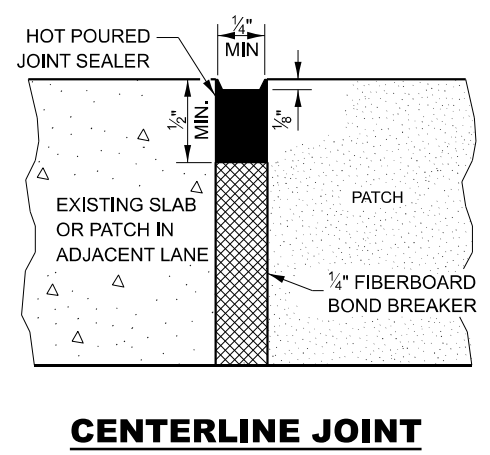
**PATCHING WITHOUT HMA OVERLAY**



**PATCHING WITH HMA OVERLAY**



**TRANSVERSE JOINT**



**CENTERLINE JOINT**

DOWEL BAR TABLE		
PAVEMENT THICKNESS	DOWEL BAR DIAMETER	HOLE DIAMETER
10" OR GREATER	1 1/2"	1 5/8"
8" THRU 9.99"	1 1/4"	1 3/8"
LESS THAN 8"	1"	1 1/8"

**GENERAL NOTES**

THE TRANSVERSE JOINTS FOR CLASS B PATCHES SHALL ALIGN WITH JOINTS OR CRACKS IN THE ADJACENT LANE WHENEVER POSSIBLE.  
SEE STANDARD 420701 FOR DETAILS OF PAVEMENT WELDED WIRE REINFORCEMENT.

MODEL: Default  
FILE NAME: c:\p\work\woodshank\09068746\66P27.dgn

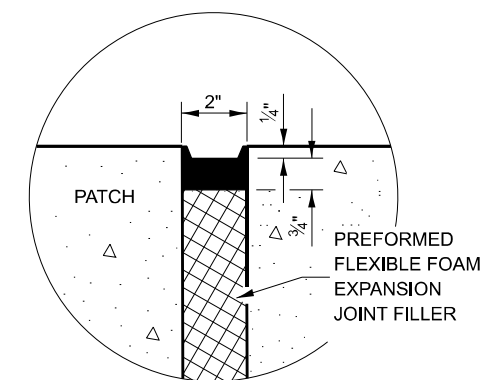
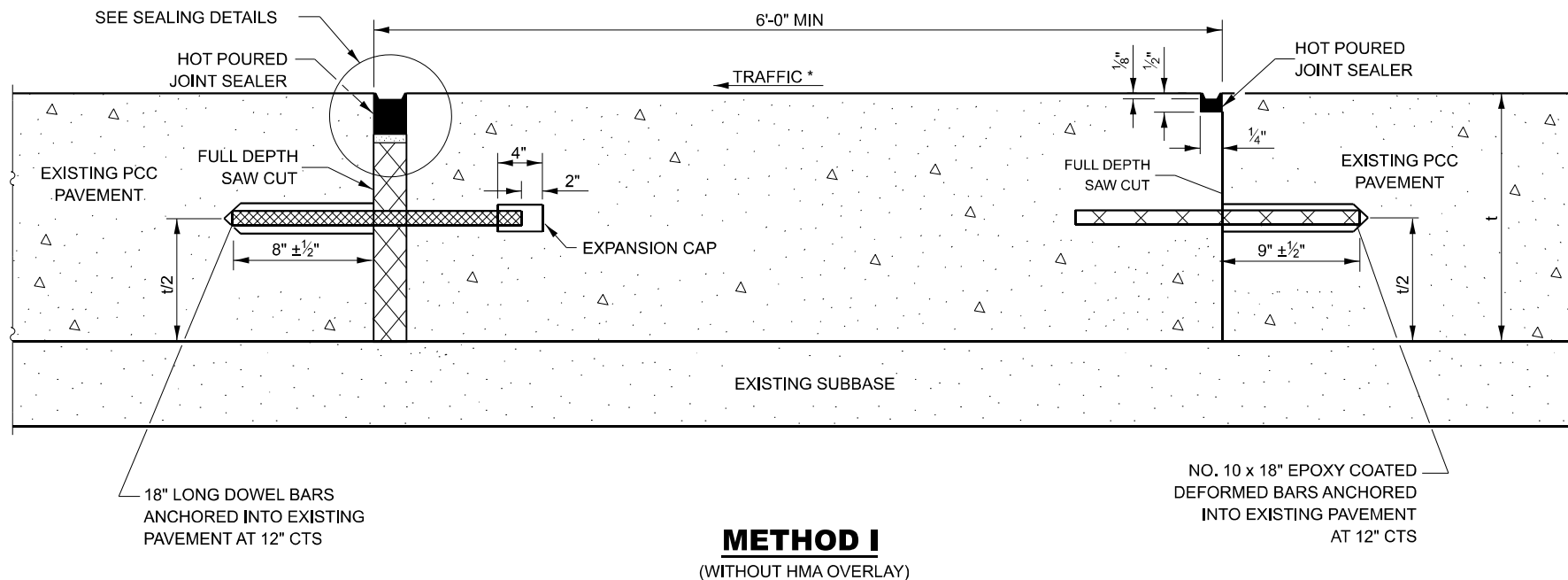
USER NAME = ronald.woodshank	DESIGNED - RW	REVISED -
	DRAWN - RW	REVISED -
PLOT SCALE = \$\$SCALE\$	CHECKED - YP	REVISED -
PLOT DATE = 2/22/2024	DATE - 1/23/2024	REVISED -

STATE OF ILLINOIS  
DEPARTMENT OF TRANSPORTATION

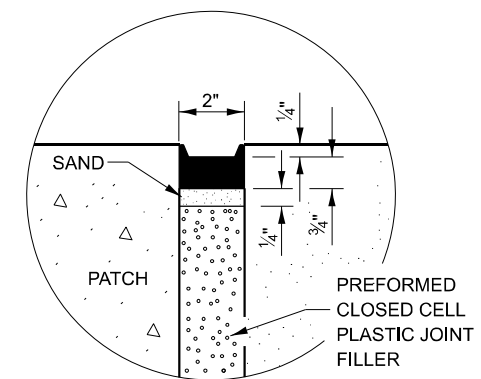
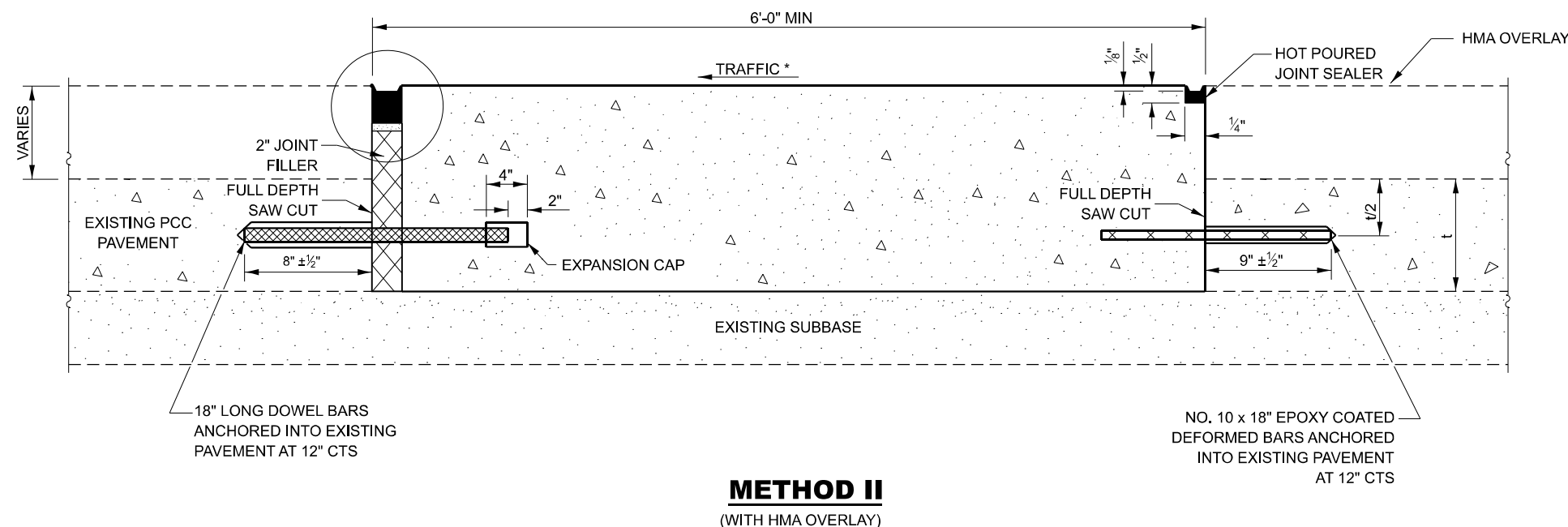
CLASS "B" PATCHING DETAILS

SCALE: SHEET 2 OF 2 SHEETS STA. TO STA.

F.A.I. RTE.	SECTION	COUNTY	TOTAL SHEETS	SHEET NO.
80	06(3,4,5,6)PP-1	BUREAU	17	15
CONTRACT NO. 66P27				
ILLINOIS FED. AID PROJECT				



**SEALING DETAIL**



**SEALING DETAIL**

**NOTE**

\* WHEN RE-ESTABLISHING A TRANSVERSE EXPANSION JOINT ON A TWO-WAY ROAD, REVERSE THE ORIENTATION OF THE DOWEL BARS WITH RESPECT TO TRAFFIC FOR ONE OF THE PATCHES SUCH THAT THE JOINT WILL BE CONTINUOUS ACROSS BOTH LANES.

MODEL: Default  
FILE NAME: c:\pwwork\woodshank\10968746\66P27.dgn

USER NAME = ronak.woodshank	DESIGNED - RW	REVISED -
	DRAWN - RW	REVISED -
PLOT SCALE = \$\$SCALE\$	CHECKED - YP	REVISED -
PLOT DATE = 2/22/2024	DATE - 1/23/2024	REVISED -

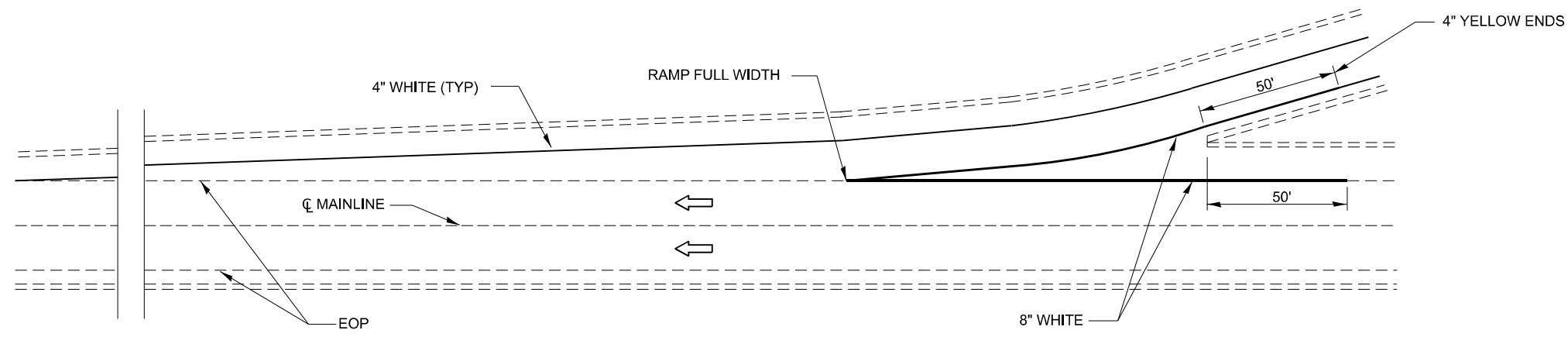
STATE OF ILLINOIS  
DEPARTMENT OF TRANSPORTATION

**GENERAL NOTES**

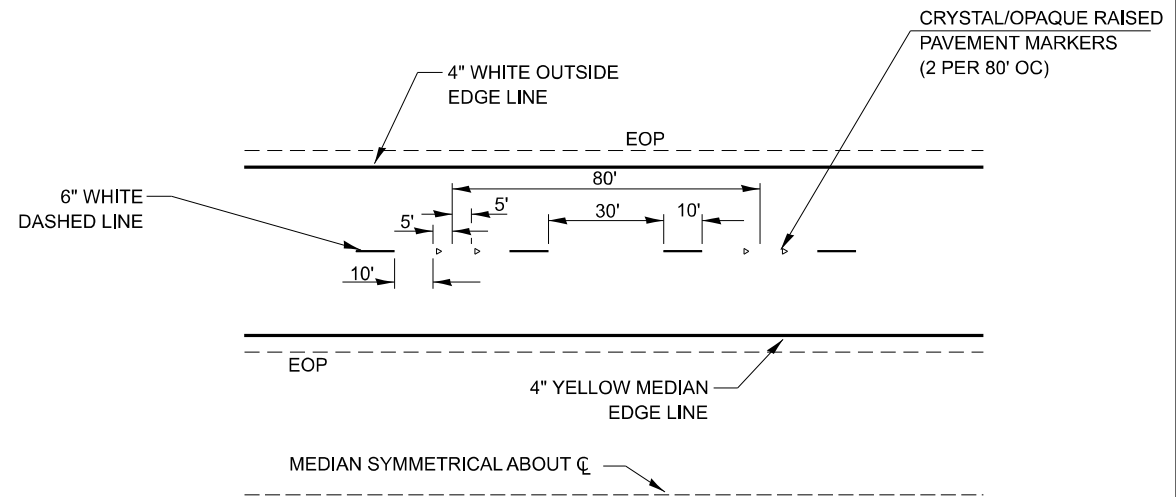
SCALE: SHEET 2 OF 2 SHEETS STA. TO STA.

F.A.I. RTE.	SECTION	COUNTY	TOTAL SHEETS	SHEET NO.
80	06(3,4,5,6)PP-1	BUREAU	17	16
CONTRACT NO. 66P27				
ILLINOIS FED. AID PROJECT				

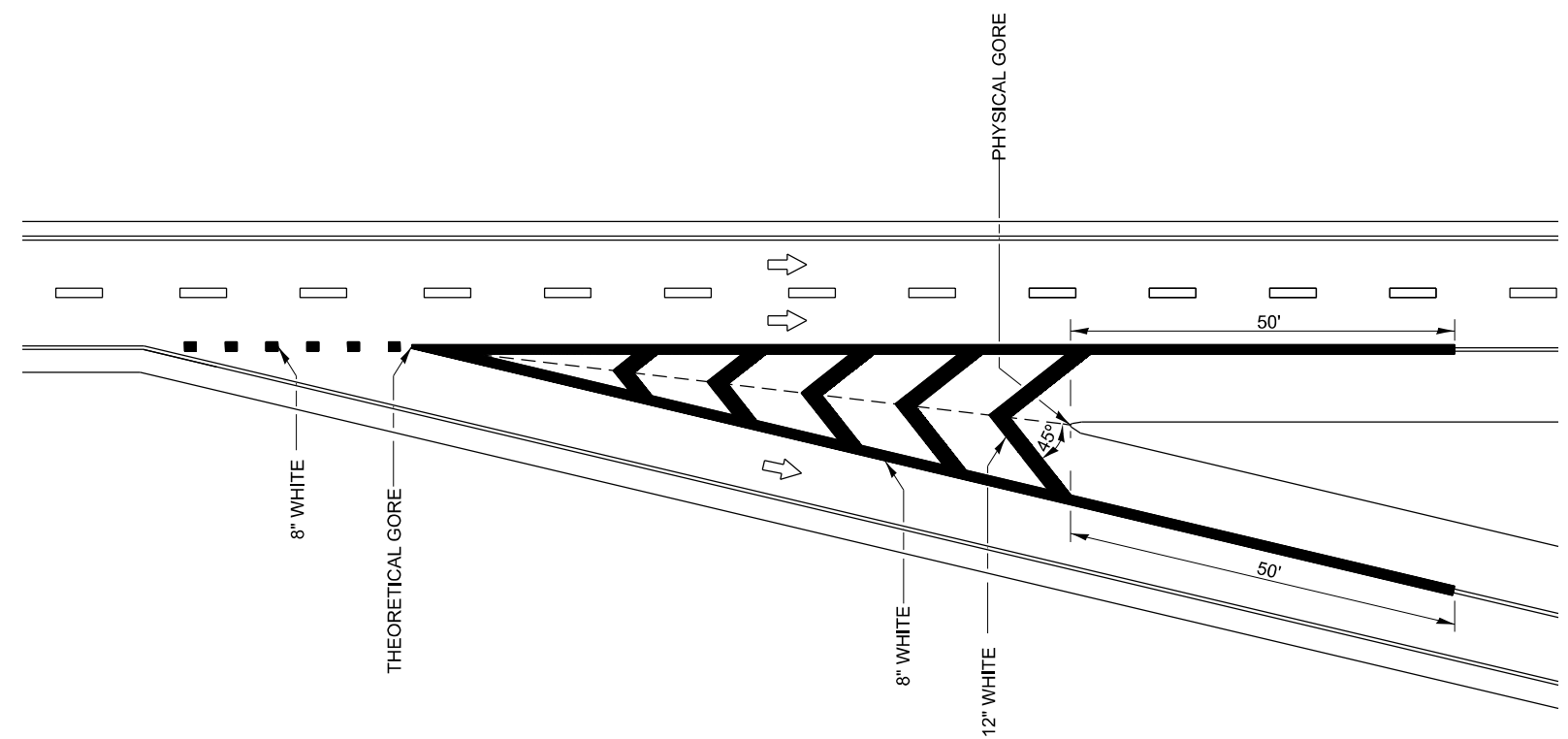




**TYPICAL PAVEMENT MARKING FOR ENTRANCE RAMP TERMINALS**



**TYPICAL PAVEMENT MARKINGS**



**EXIT RAMP GORE DETAIL**

MODEL: Default  
FILE NAME: c:\p\work\pav\woodshank\140968746\66P27.dgn

USER NAME = ronakd.woodshank	DESIGNED - RW	REVISED -
DRAWN - RW	REVISIONS -	
PLOT SCALE = \$SCALE\$	CHECKED - YP	REVISED -
PLOT DATE = 2/22/2024	DATE - 1/23/2024	REVISED -

**STATE OF ILLINOIS  
DEPARTMENT OF TRANSPORTATION**

**TYPICAL PAVEMENT MARKING**

SCALE: SHEET 1 OF 1 SHEETS STA. TO STA.

F.A.I. RTE.	SECTION	COUNTY	TOTAL SHEETS	SHEET NO.
80	06(3,4,5,6)PP-1	BUREAU	17	17
CONTRACT NO. 66P27				
ILLINOIS FED. AID PROJECT				