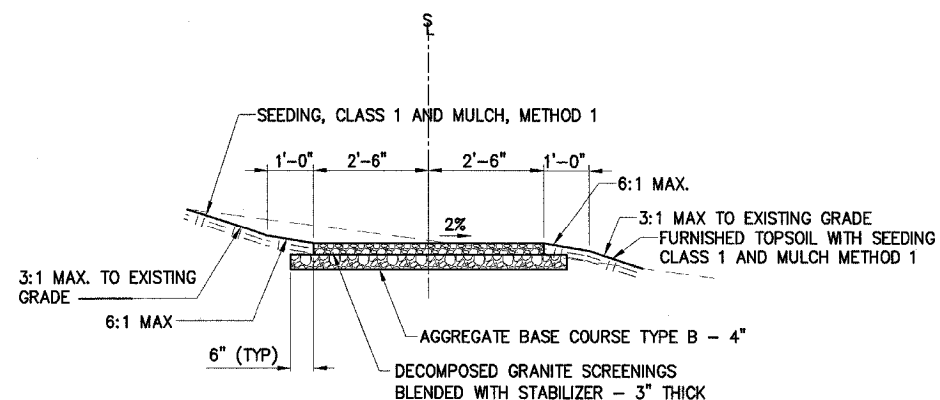
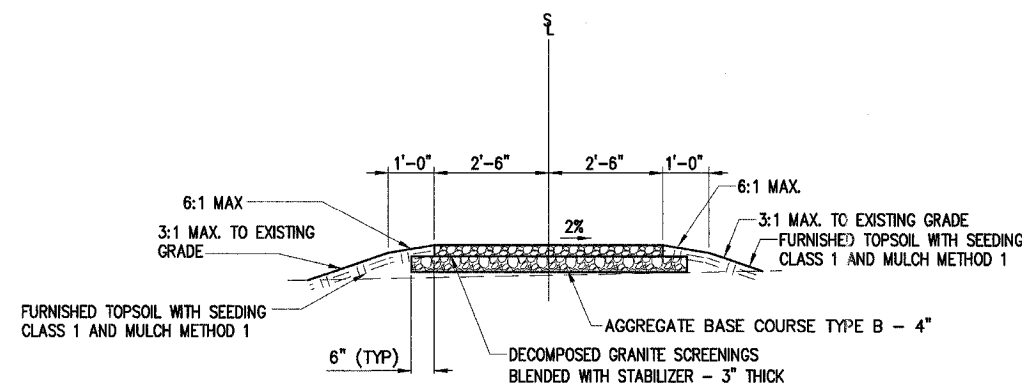


F.A. RTE.	SECTION	COUNTY	TOTAL SHEETS	SHEET NO.
		JO DAVIESS	39	5
STA.		TO STA.		
FED. ROAD DIST. NO.		ILLINOIS FED. AID PROJECT		



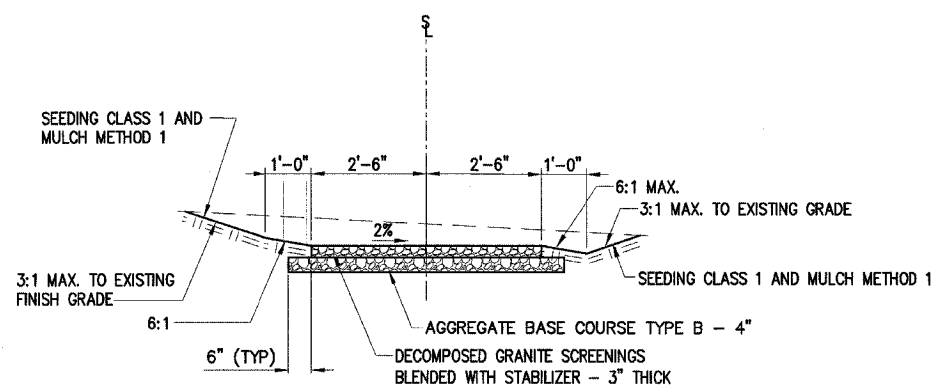
**PROPOSED TYPICAL STONE SURFACE SPECIAL TRAIL  
(CROSS SECTION TRAIL ONE)**

GRANT HOME AND FIRST LADY PARK - SEE PLANS FOR APPLICABLE LOCATIONS  
SCALE: 1/2"=1'-0"  
STA 40+00.00 TO STA 42+23.90



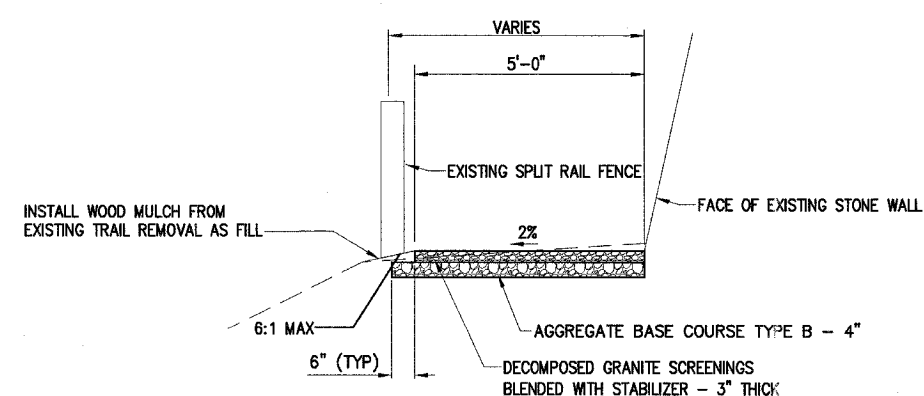
**PROPOSED TYPICAL STONE SURFACE SPECIAL TRAIL  
(CROSS SECTION TRAIL TWO)**

GRANT HOME AND FIRST LADY PARK - SEE PLANS FOR APPLICABLE LOCATIONS  
SCALE: 1/2"=1'-0"  
STA 20+00.00 TO STA 22+93.62



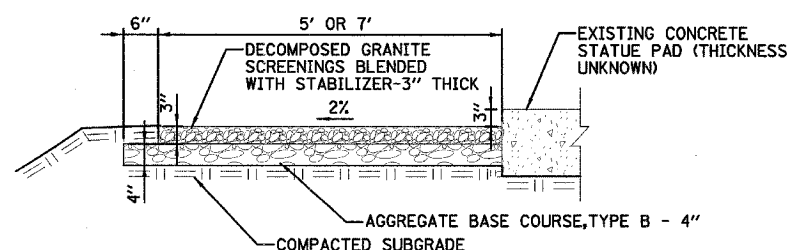
**PROPOSED TYPICAL STONE SURFACE SPECIAL TRAIL  
(CROSS SECTION TRAIL THREE)**

FIRST LADY PARK - SEE PLANS FOR APPLICABLE LOCATIONS  
SCALE: 1/2"=1'-0"  
STA 10+00.00 TO STA 11+95.37



**PROPOSED TYPICAL STONE SURFACE SPECIAL TRAIL  
(CROSS SECTION EXISTING MULCH TRAIL)**

GRANT HOME AND FIRST LADY PARK - SEE PLANS FOR APPLICABLE LOCATIONS  
SCALE: 1/2"=1'-0"



**STONE SURFACE, SPECIAL, TRAIL AT STATUE  
FIRST LADY PARK**

SCALE 3/4" = 1'-0"

REVISIONS	
NAME	DATE

ILLINOIS DEPARTMENT OF TRANSPORTATION  
  
IDOT / IHPA  
GALENA STATE HISTORIC SITES  
TYPICAL SECTIONS

SCALE: VERT.  
HORIZ.  
DATE: 12/18/06

DRAWN BY: JJ  
CHECKED BY: PJM