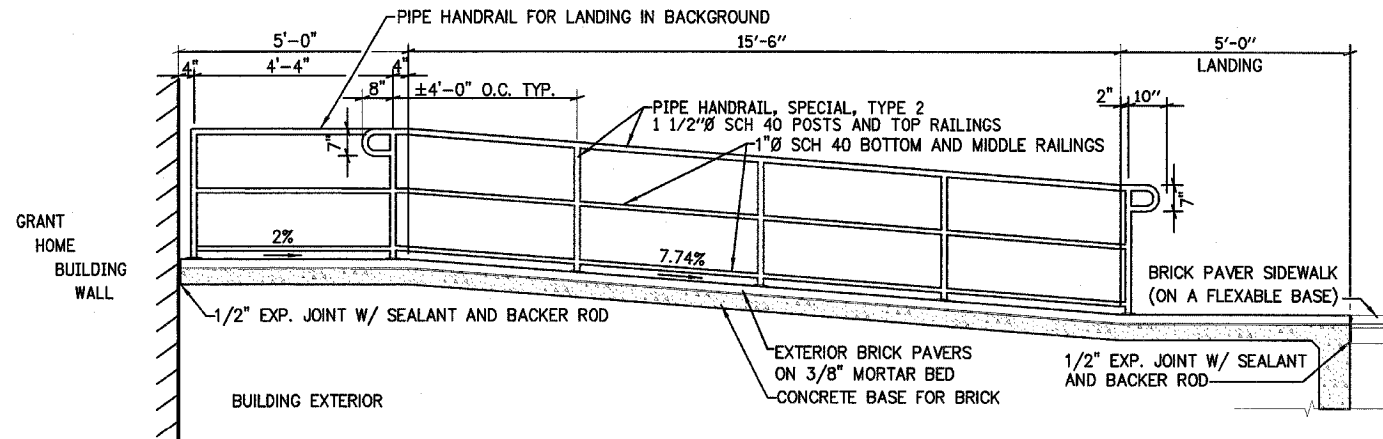
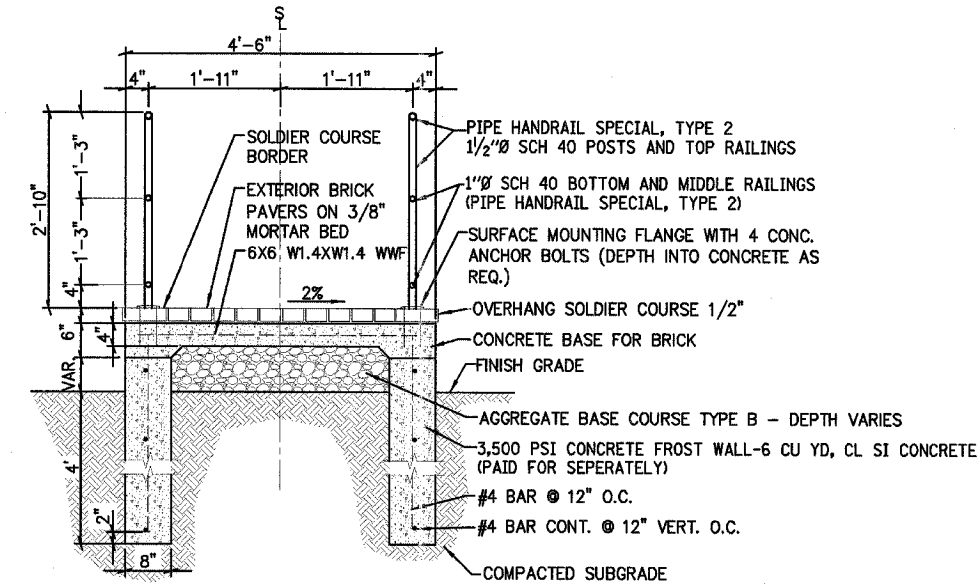


F.A. RTE.	SECTION	COUNTY	TOTAL SHEETS	SHEET NO.
		JO DAVIESS	39	25
STA.	TO STA.			
FED. ROAD DIST. NO. ILLINOIS FED. AID PROJECT				



GRANT HOME BRICK PAVER SIDEWALK ON A RIGID BASE LONGITUDINAL SECTION
W/ PIPE HANDRAIL SPECIAL TYPE 2

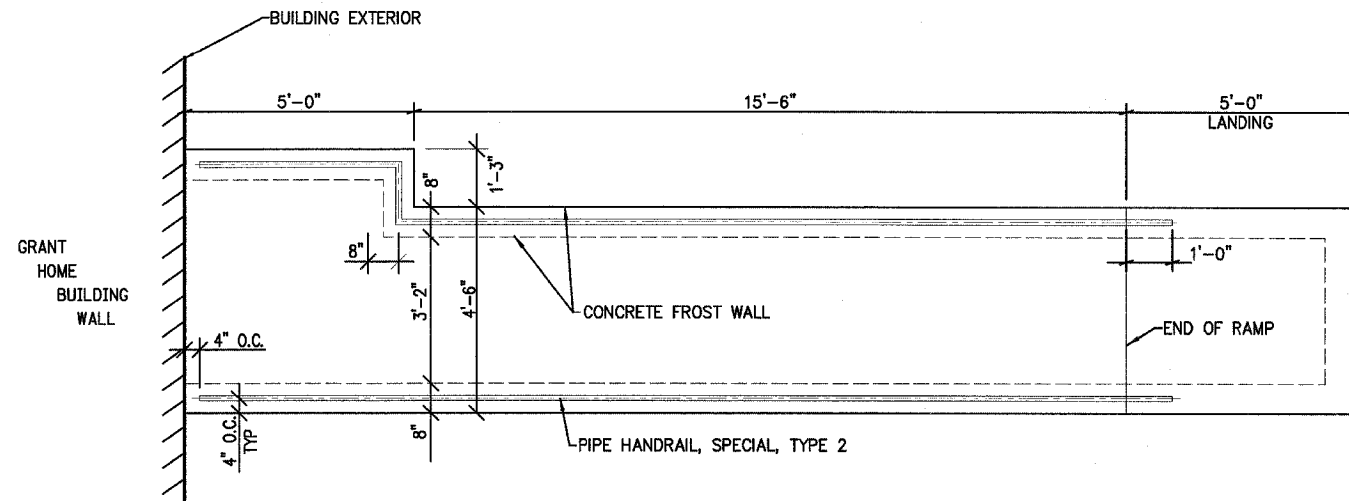
SCALE: 1/2"=1'-0"



GRANT HOME BRICK PAVER SIDEWALK ON A RIGID BASE CROSS SECTION
WITH PIPE HANDRAIL SPECIAL, TYPE 2

SCALE: 3/4"=1'-0"

- NOTES:
- ALL TUBES AND PIPES ARE TO BE STEEL. JOINTS BETWEEN RAILINGS AND POSTS ARE TO BE WELDED AND GROUND SMOOTH.
 - FINISH TO BE E.S.P. APPLIED THERMOSETTING T.G.I.C. POLYESTER POWDER COATING, 3 MILLS. THICK MINIMUM, BAKED AT 400°F FOR 10 MINUTES MINIMUM. COLOR TO BE SELECTED BY SITE MANAGER FROM MANUFACTURER'S STANDARD RANGE.
 - HANDRAIL SYSTEM DESIGN AND CONSTRUCTION IS TO MEET OR EXCEED ALL APPLICABLE LOCAL BUILDING CODE AND LOADING REQUIREMENTS.
 - CONTRACTOR IS REQUIRED TO FURNISH SHOP DRAWINGS OF RAILING SYSTEM IDENTIFYING LAYOUT, DIMENSIONS, MATERIALS, AND PRODUCTS FOR APPROVAL PRIOR TO CONSTRUCTION.
 - CONCRETE FROST WALL FOR BRICK PAVER ON A RIGID BASE SHALL BE PAID FOR AS CLASS SI CONCRETE.



GRANT HOME BRICK PAVER SIDEWALK ON A RIGID BASE

PLAN VIEW
SCALE: 1/2"=1'-0"

REVISIONS	
NAME	DATE

ILLINOIS DEPARTMENT OF TRANSPORTATION
IDOT / IHPA
GALENA STATE HISTORIC SITES
MISCELLANEOUS DETAILS

SCALE: VERT.
HORIZ.
DATE: 12/18/06

DRAWN BY: JJ
CHECKED BY: PJM