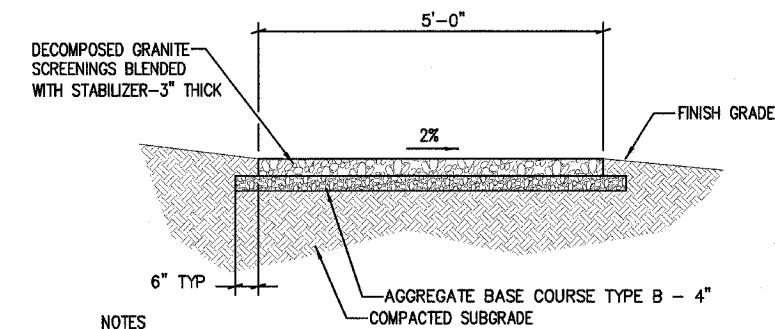
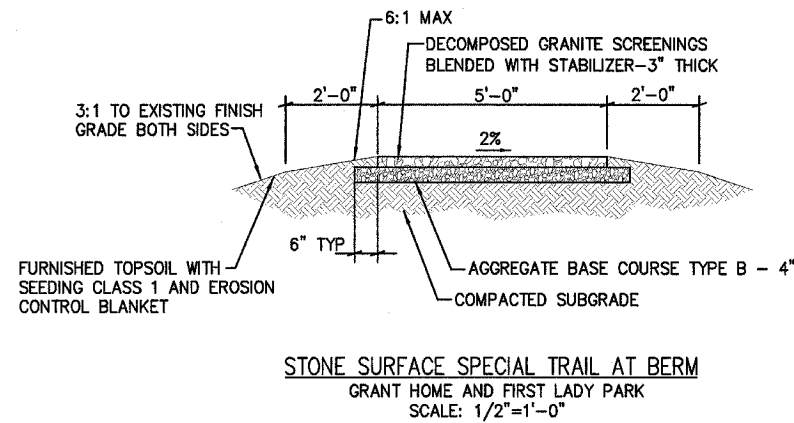
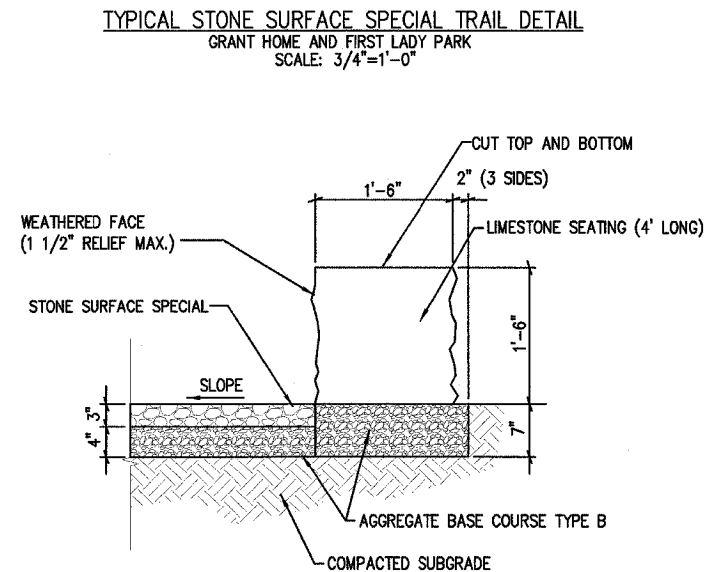


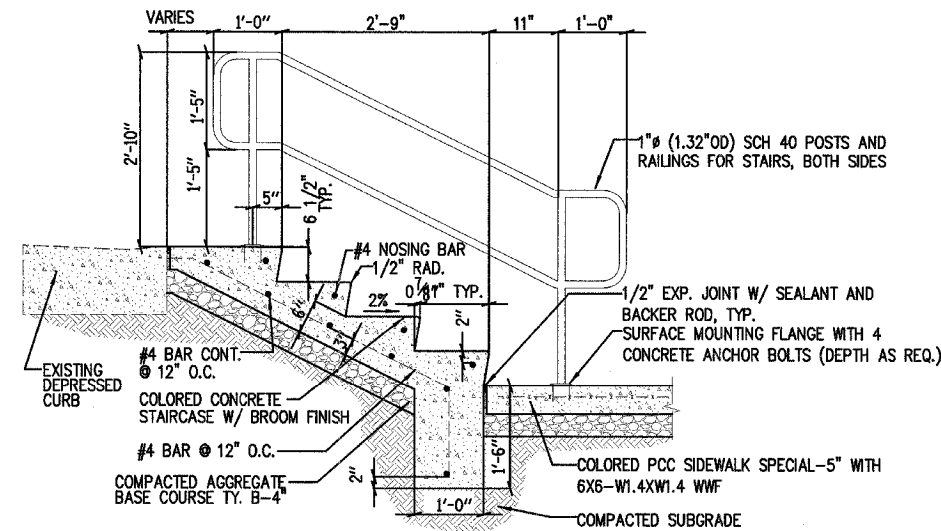
F.A. RTE.	SECTION	COUNTY	TOTAL SHEETS	SHEET NO.
		JO DAVIESS	39	28
STA.	TO STA.			
FED. ROAD DIST. NO.	ILLINOIS FED. AID PROJECT			



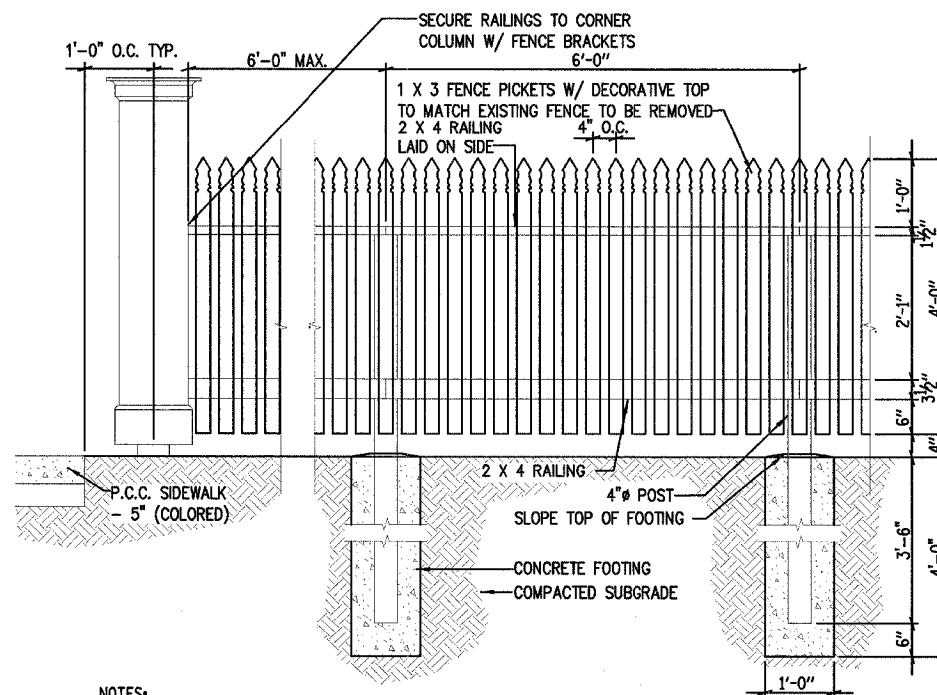
- NOTES**
- TRAIL TO BE STABILIZED PATHWAY MIX BY KAFKA GRANITE, (803) 852-7415 OR ENGINEER APPROVED EQUIVALENT.
 - TRAIL SHALL BE BLENDED AND CONSTRUCTED ACCORDING TO MANUFACTURERS WRITTEN RECOMMENDATIONS.
 - CONTRACTOR SHALL PROVIDE UNCONDITIONAL MAINTENANCE AND REPAIR OF TRAIL SYSTEM FOR 60 DAYS FOLLOWING SUBSTANTIAL COMPLETION.
 - CONTRACTOR IS TO SUBMIT A WRITTEN WARRANTY AS REQUIRED BY MANUFACTURER.
 - CONTRACTOR IS TO PROVIDE A 5' X 10' MOCKUP FOR APPROVAL BY THE SITE MANAGER. SUBMIT SHOP DRAWINGS SHOWING DETAILS FOR INSTALLATION, INCLUDING PLANS AND SECTIONS.
 - DECOMPOSED GRANITE COLOR TO BE SELECTED BY SITE MANAGER FROM MANUFACTURER'S STANDARD RANGE.



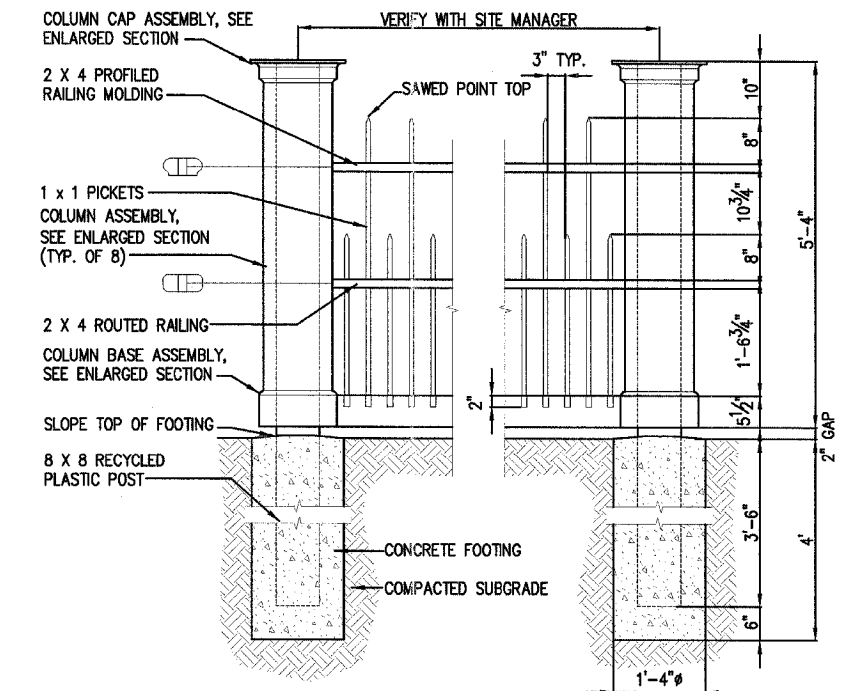
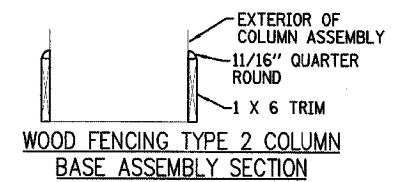
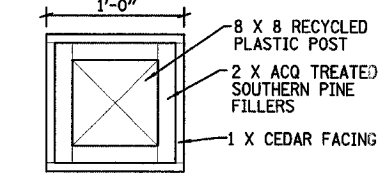
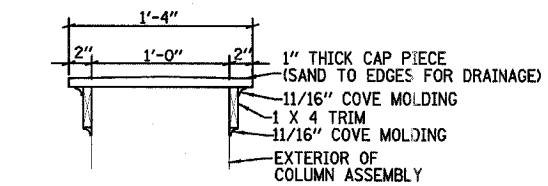
- NOTES**
- STONE TO BE QUARRIED WITHIN 300 MILES.
 - COLOR TO BE TAN/BROWN. PROVIDE SAMPLE FOR APPROVAL BY SITE MANAGER.



- NOTES:**
- ALL TUBES AND PIPES ARE TO BE STEEL. JOINTS BETWEEN RAILINGS AND POSTS ARE TO BE WELDED AND GROUND SMOOTH.
 - FINISH TO BE E.S.P. APPLIED THERMOSETTING T.G.I.C. POLYESTER POWDER COATING, 3 MILLS. THICK MINIMUM, BAKED AT 400° FOR 10 MINUTES MINIMUM. COLOR TO MATCH EXISTING RAILING ALONG FOURTH STREET. SUBMIT COLOR SAMPLE TO SITE MANAGER FOR APPROVAL PRIOR TO CONSTRUCTION.
 - HANDRAIL SYSTEM DESIGN AND CONSTRUCTION IS TO MEET OR EXCEED ALL APPLICABLE LOCAL BUILDING CODE AND LOADING REQUIREMENTS.
 - CONTRACTOR IS REQUIRED TO FURNISH SHOP DRAWINGS OF RAILING SYSTEM IDENTIFYING LAYOUT, DIMENSIONS, MATERIALS, AND PRODUCTS FOR APPROVAL PRIOR TO CONSTRUCTION.



- NOTES:**
- PICKETS ARE TO BE SELECT GRADE WESTERN RED CEDAR-SMOOTH ONE FACE AND TWO EDGES. CONSTRUCT SMOOTH FACE OF PICKETS TO FACE OUTSIDE OF PROPERTY. RAILINGS AND POSTS ARE TO BE NO. 1 GRADE ACQ TREATED SOUTHERN PINE.
 - ALL FASTENERS ARE TO BE STAINLESS STEEL.
 - FENCE IS TO BE FINISHED WITH A WHITE PAINT APPROVED FOR USE WITH ACQ TREATED WOOD AND WESTERN RED CEDAR. FURNISH OWNER WITH A MOCKUP OF PAINTED FENCE FOR APPROVAL PRIOR TO FINISHING THE FENCE.



- NOTES:**
- ALL WOOD, EXCEPT WHERE NOTED, IS TO BE CLEAR GRADE WESTERN RED CEDAR. PICKETS AND RAILINGS ARE TO BE SMOOTH FOUR SIDES. TRIM BOARDS ARE TO BE SMOOTH ONE FACE AND TWO EDGES.
 - ALL FASTENERS ARE TO BE STAINLESS STEEL.
 - FENCE IS TO BE FINISHED WITH A WHITE PAINT APPROVED FOR USE WITH WESTERN RED CEDAR. FURNISH OWNER WITH A MOCKUP OF PAINTED FENCE FOR APPROVAL PRIOR TO FINISHING THE FENCE.
 - USE SQUARE MORTISING BIT IN RAILINGS TO RECEIVE PICKETS.
 - COORDINATE FINAL COLUMN ASSEMBLY LOCATIONS (TYP. OF 8) WITH SITE MANAGER FOR WOOD FENCING TYPE 2 (3/4" 8' MAX. CLEAR BETWEEN COLUMN ASSEMBLIES).

REVISIONS	
NAME	DATE

ILLINOIS DEPARTMENT OF TRANSPORTATION
IDOT / IHPA
GALENA STATE HISTORIC SITES
MISCELLANEOUS DETAILS

VERT. SCALE: 1/2"=1'-0"
HORIZ. SCALE: 1"=10'-0"
DATE: 12/18/06

DRAWN BY: JJ
CHECKED BY: PJM