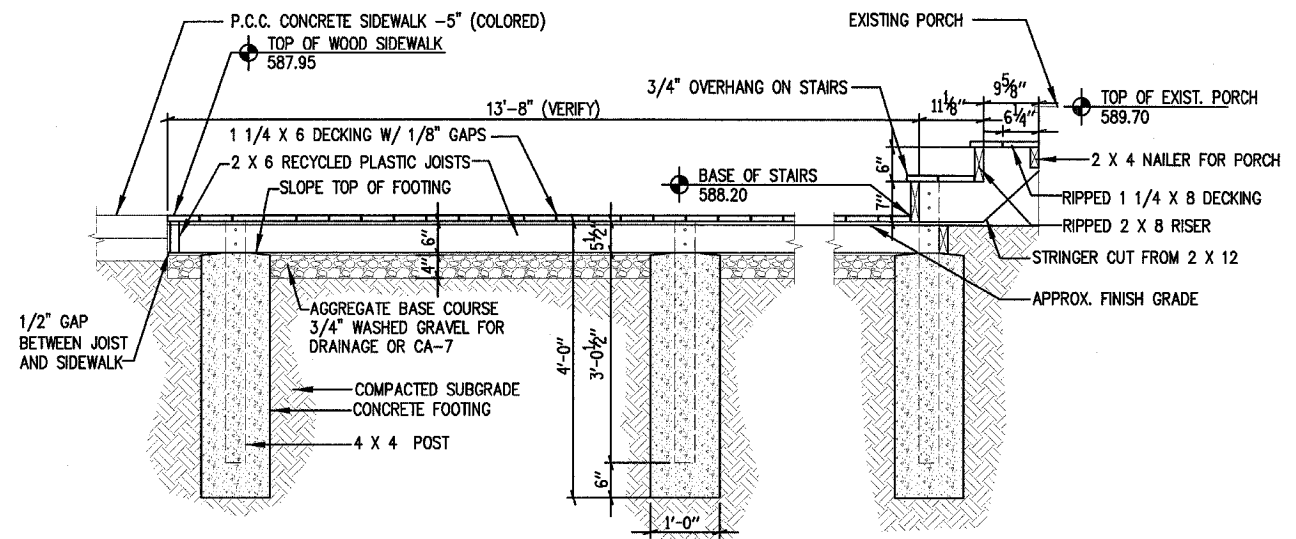


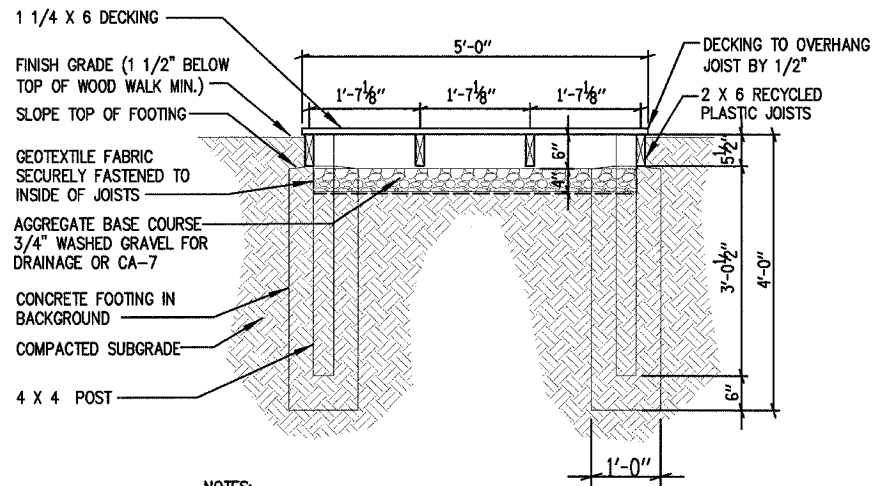
F.A. RTE.	SECTION	COUNTY	TOTAL SHEETS	SHEET NO.
		JO DAVIESS	39	29
STA.	TO STA.			
FED. ROAD DIST. NO.	ILLINOIS FED. AID PROJECT			



- NOTES:
1. FASTEN DECKING TO JOISTS WITH STAINLESS STEEL WOOD SCREWS.
 2. COLOR OF PLASTIC LUMBER TO BE SELECTED BY SITE MANAGER.
 3. ALL WOOD, EXCEPT WHERE NOTED IS TO BE NO. 1 ACQ TREATED SOUTHERN PINE.
 4. FASTEN JOISTS TO POSTS WITH STAINLESS STEEL LAG BOLTS.

WOOD SIDEWALK LONGITUDINAL SECTION

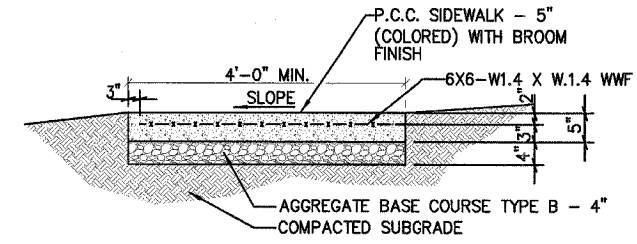
WASHBURNE HOUSE
SCALE: 3/4"=1'-0"



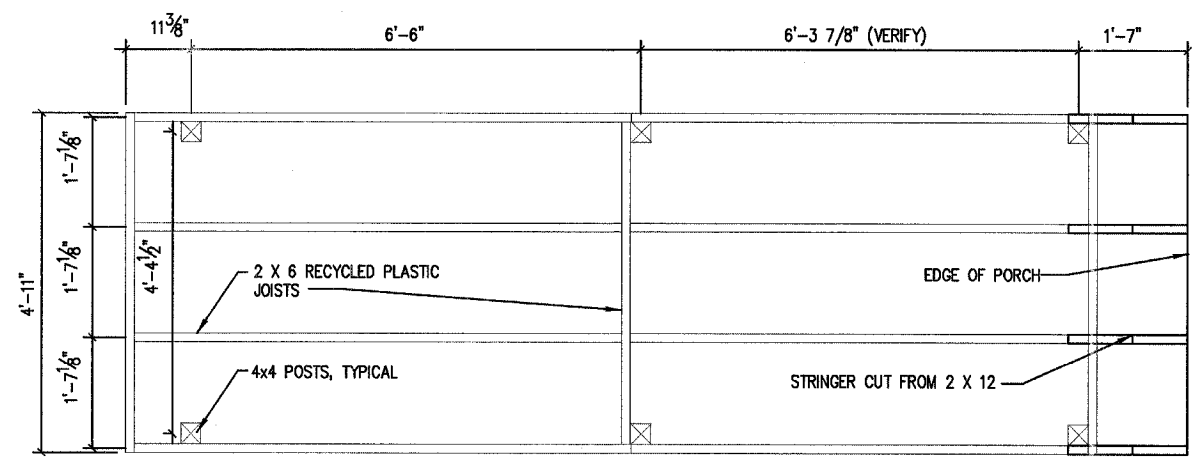
- NOTES:
1. FASTEN DECKING TO JOISTS WITH STAINLESS STEEL WOOD SCREWS.
 2. COLOR OF PLASTIC LUMBER TO BE SELECTED BY SITE MANAGER.
 3. ALL WOOD, EXCEPT WHERE NOTED IS TO BE NO. 1 ACQ TREATED SOUTHERN PINE.
 4. FASTEN JOISTS TO POSTS WITH STAINLESS STEEL LAG BOLTS.

WOOD SIDEWALK CROSS SECTION

WASHBURNE HOUSE
SCALE: 3/4"=1'-0"



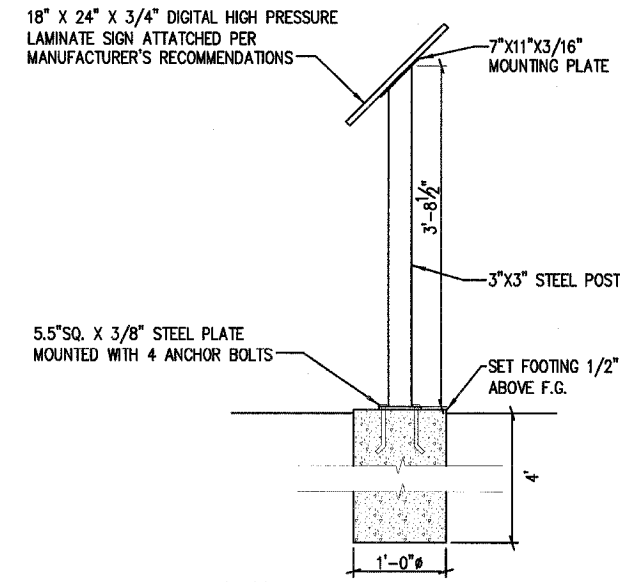
NOTE: COLOR OF PCC SIDEWALK TO MATCH CONCRETE "PINK" OF EXISTING SIDEWALK ALONG DECATUR ST.
PCC SIDEWALK - 5" (COLORED) DETAIL
SCALE: 3/4"=1'-0"



- NOTES:
1. COLOR OF PLASTIC LUMBER TO BE SELECTED BY SITE MANAGER.
 2. ALL WOOD, EXCEPT WHERE NOTED IS TO BE NO. 1 ACQ TREATED SOUTHERN PINE.
 3. ALL FASTENERS ARE TO BE STAINLESS STEEL.

WOOD SIDEWALK JOIST LAYOUT

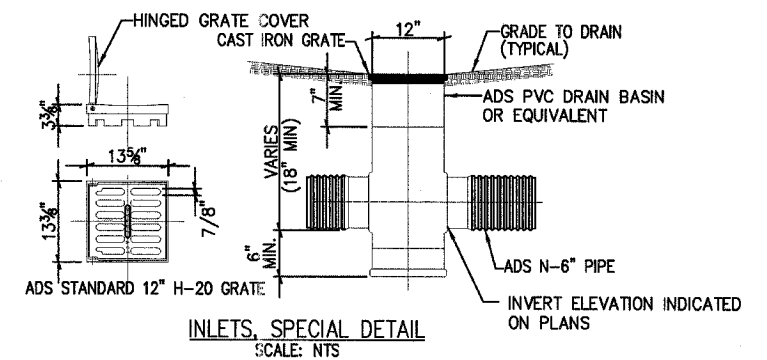
WASHBURNE HOUSE
SCALE: 3/4"=1'-0"



- NOTES:
1. SIGN AND PEDESTAL TO BE FOSSIL INDUSTRIES, (800) 244-9809 OR EQUIVALENT.
 2. PEDESTAL TO BE POWDER COATED BLACK.
 3. SIGN GRAPHICS ARE BY OTHERS.
 4. LOCATE FOOTING 1'-6" O.C. FROM EDGE OF TRAIL WHERE INDICATED ON PLANS.

INTERPRETIVE SIGNAGE DETAIL

FIRST LADY PARK
SCALE: 1"=1'-0"



INLETS, SPECIAL DETAIL

SCALE: NTS

REVISIONS	
NAME	DATE

ILLINOIS DEPARTMENT OF TRANSPORTATION

IDOT / IHPA
GALENA STATE HISTORIC SITES
MISCELLANEOUS DETAILS

SCALE: VERT.
HORIZ.
DATE: 12/18/06

DRAWN BY: JJ
CHECKED BY: PJM