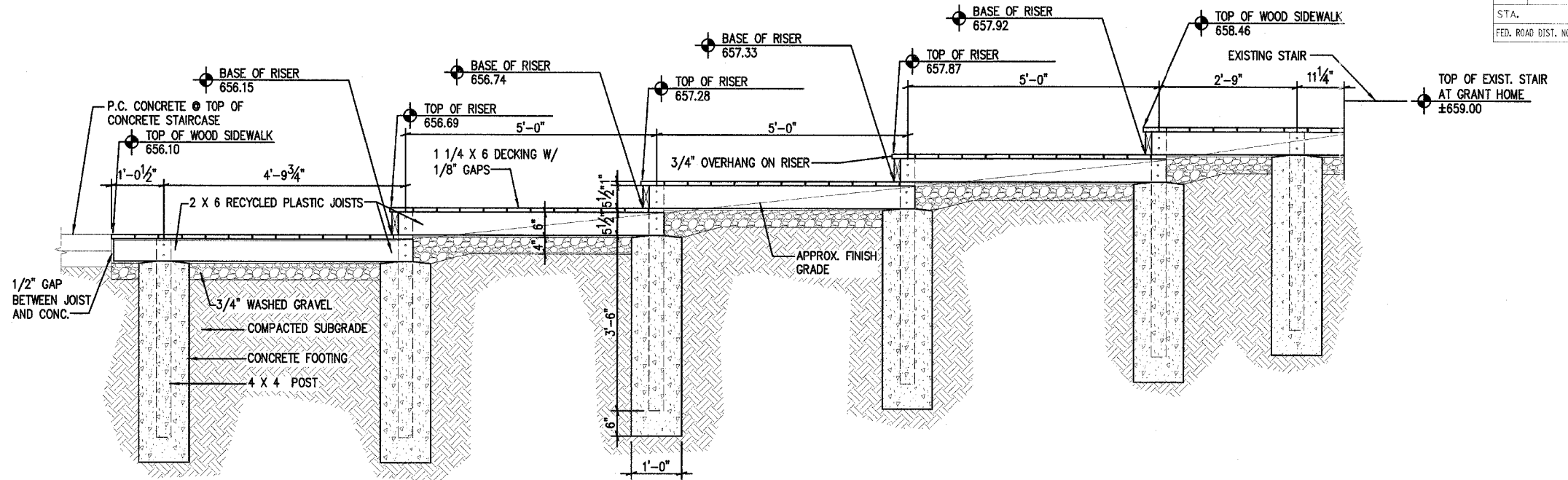
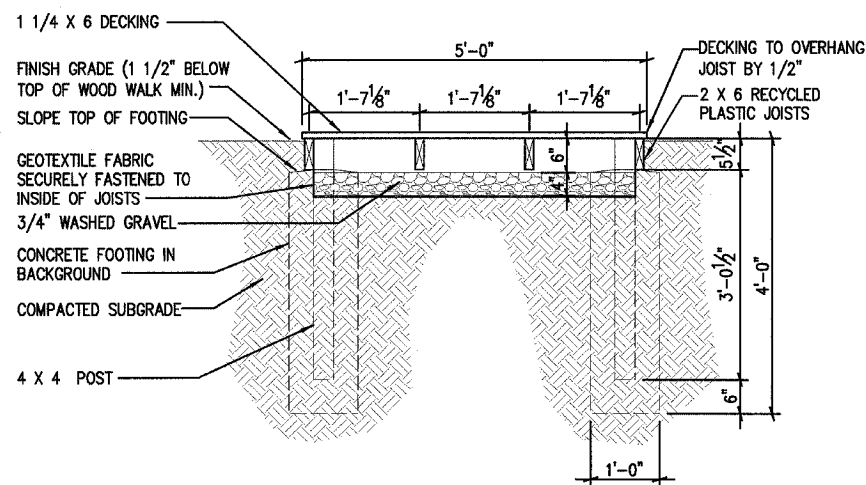


F.A. RTE.	SECTION	COUNTY	TOTAL SHEETS	SHEET NO.
		JO DAVIESS	39	30
STA.		TO STA.		
FED. ROAD DIST. NO.		ILLINOIS FED. AID PROJECT		



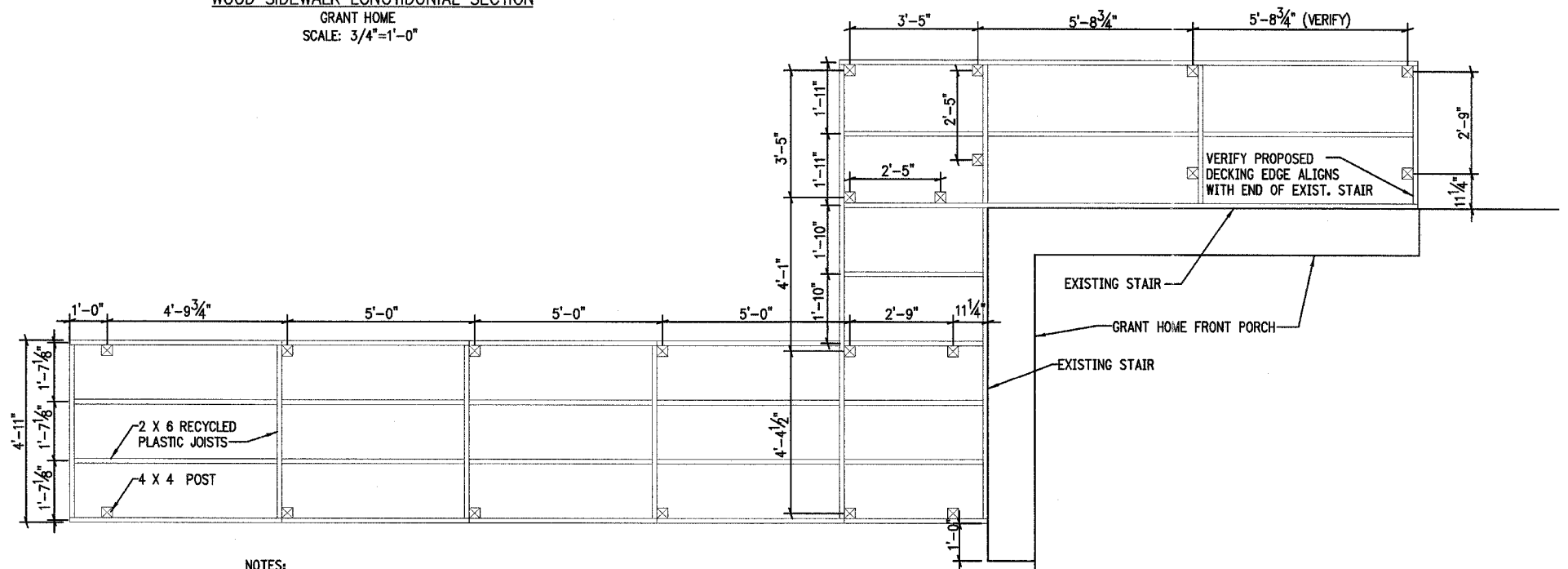
- NOTES:
1. FASTEN DECKING TO JOISTS WITH STAINLESS STEEL WOOD SCREWS.
 2. COLOR OF PLASTIC LUMBER TO BE SELECTED BY SITE MANAGER.
 3. ALL WOOD, EXCEPT WHERE NOTED IS TO BE NO. 1 ACQ TREATED SOUTHERN PINE.
 4. FASTEN JOISTS TO POSTS WITH STAINLESS STEEL LAG BOLTS.
 5. VERIFY ELEVATIONS OF EXISTING STAIR AND TOP OF CONCRETE STAIRCASE PRIOR TO CONSTRUCTION OF WOOD WALKWAY.

WOOD SIDEWALK LONGITUDINAL SECTION
GRANT HOME
SCALE: 3/4"=1'-0"



- NOTES:
1. FASTEN DECKING TO JOISTS WITH STAINLESS STEEL WOOD SCREWS.
 2. COLOR OF PLASTIC LUMBER TO BE SELECTED BY SITE MANAGER.
 3. ALL WOOD, EXCEPT WHERE NOTED IS TO BE NO. 1 ACQ TREATED SOUTHERN PINE.
 4. FASTEN JOISTS TO POSTS WITH STAINLESS STEEL LAG BOLTS.

WOOD SIDEWALK CROSS SECTION
GRANT HOME
SCALE: 3/4"=1'-0"



- NOTES:
1. COLOR OF PLASTIC LUMBER TO BE SELECTED BY SITE MANAGER.
 2. ALL WOOD, EXCEPT WHERE NOTED IS TO BE NO. 1 ACQ TREATED SOUTHERN PINE.
 3. ALL FASTENERS ARE TO BE STAINLESS STEEL.

WOOD SIDEWALK JOIST LAYOUT
GRANT HOME
SCALE: 1/2"=1'-0"

REVISIONS	
NAME	DATE

ILLINOIS DEPARTMENT OF TRANSPORTATION
IDOT / IHPA
GALENA STATE HISTORIC SITES
MISCELLANEOUS DETAILS

SCALE: VERT.
HORIZ.
DATE: 12/18/06

DRAWN BY: JJ
CHECKED BY: PJM