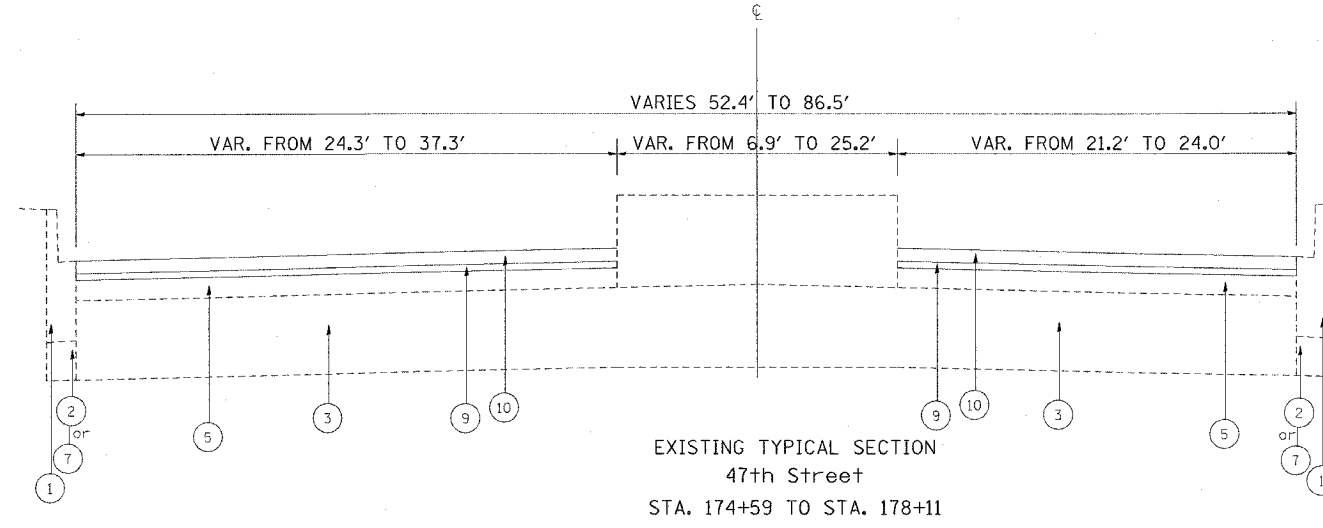
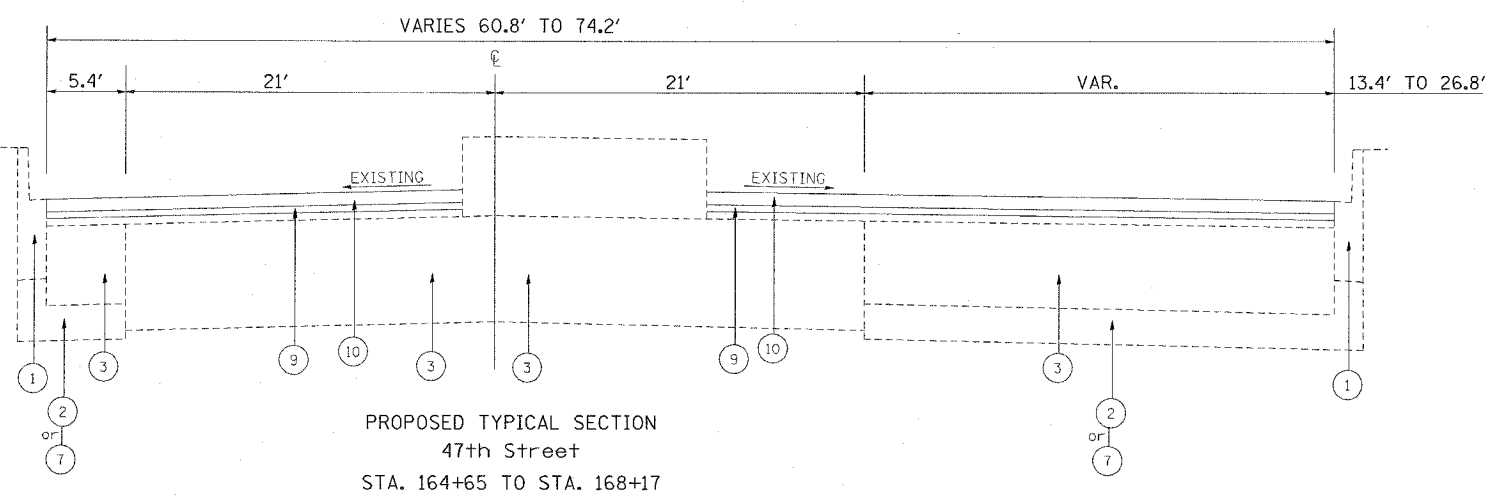
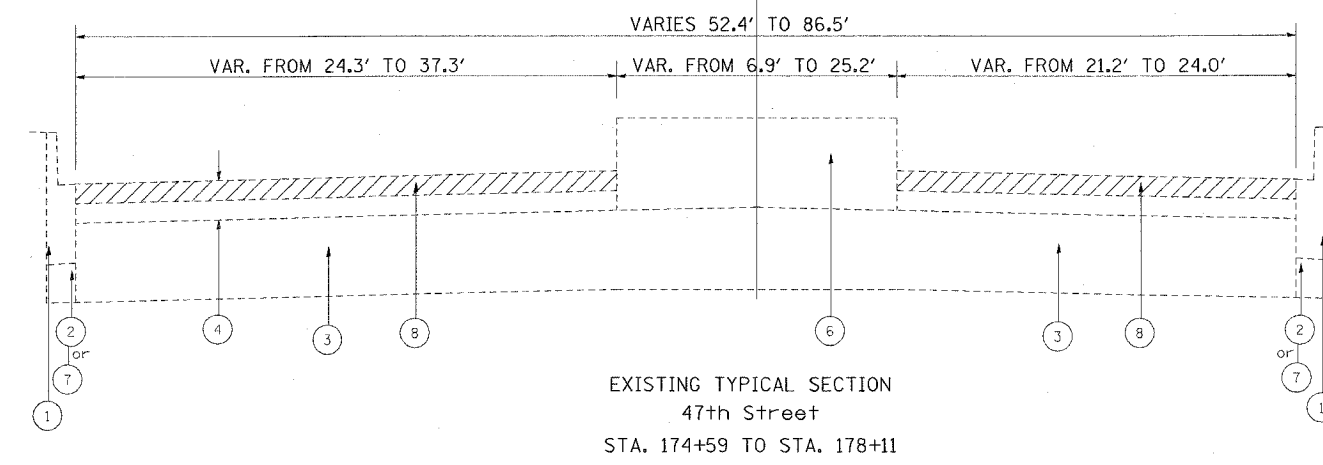
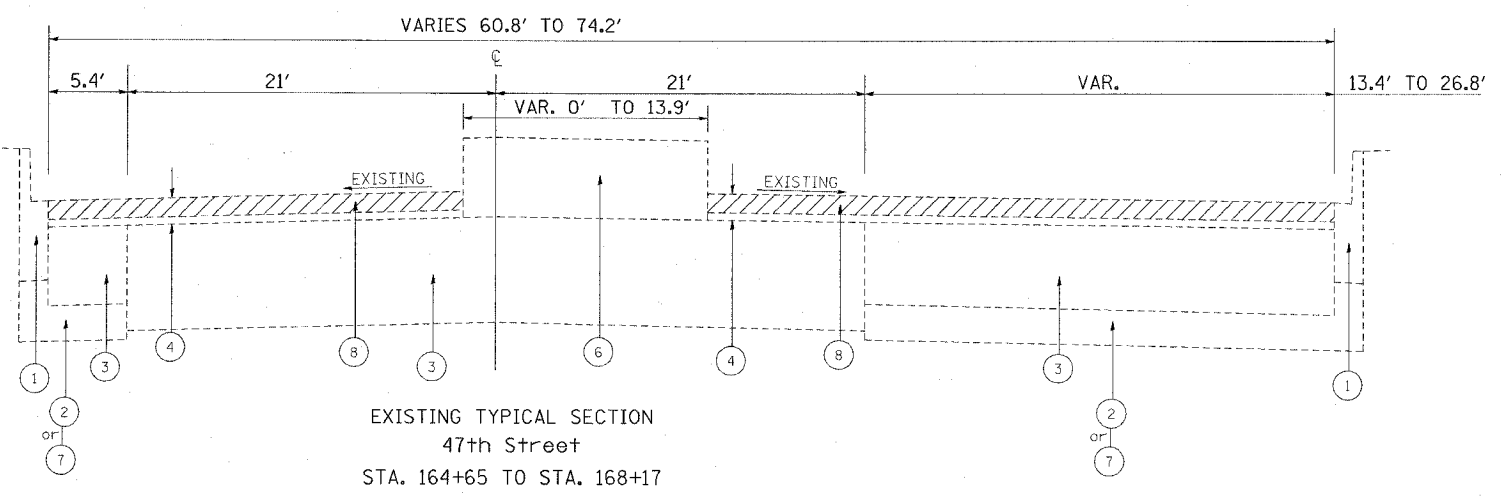


F.A. RTE.	SECTION	COUNTY	TOTAL SHEETS	SHEET NO.
1488	3212 RS-2	COOK	32	9
STA.		TO STA.		
FED. ROAD DIST. NO. 1		ILLINOIS FED. AID PROJECT		



**LEGEND**

- ① EXISTING COMBINATION CONCRETE CURB AND GUTTER, TYPE B6.12 (MODIFIED)
- ② EXISTING SUB-BASE GRANULAR MATERIAL, TYPE B (4")
- ③ EXISTING PC CONC. BASE COURSE VARIES 7 1/2" TO 9 1/2" ±
- ④ EXISTING HOT-MIX ASPHALT OVERLAY VARIES 4 1/2" TO 10" ±
- ⑤ EXISTING HOT-MIX ASPHALT OVERLAY AFTER MILLING
- ⑥ EXISTING P.C. CONCRETE BARRIER MEDIAN
- ⑦ EXISTING SUB-BASE GRAN MATERIAL, TYPE B (6")
- ⑧ PROPOSED HOT-MIX ASPHALT SURFACE REMOVAL, 2 1/4"
- ⑨ PROPOSED POLYMERIZED LEVELING BINDER (MACHINE METHOD), IL-4.75, N50, 3/4"
- ⑩ PROPOSED HOT-MIX ASPHALT SURFACE COURSE, MIX "D", N70, 1 1/2"

REVISIONS		ILLINOIS DEPARTMENT OF TRANSPORTATION
NAME	DATE	
		47TH STREET EXISTING AND PROPOSED TYPICAL CROSS SECTIONS
SCALE: N.T.S.		DRAWN BY
DATE		CHECKED BY

PLOT DATE = 3/20/2007  
 PLOT SCALE = 2500.0000 / IN.  
 USER NAME = abreuah