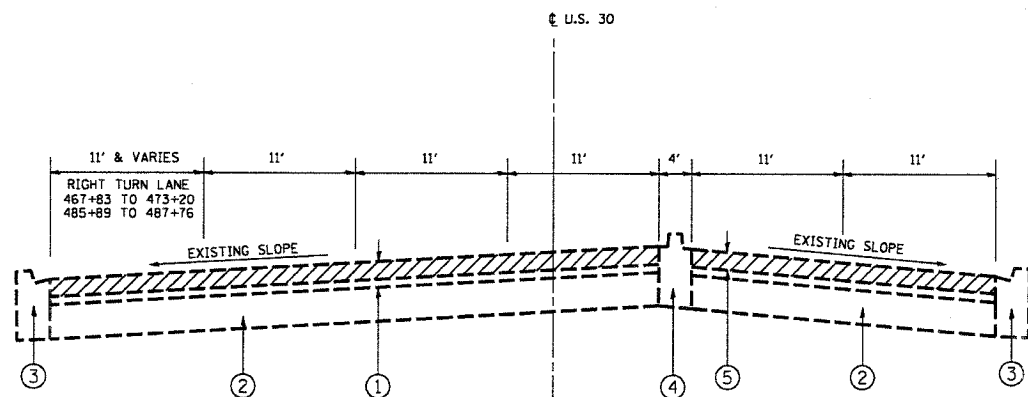


F.A.P. RTE.	SECTION	COUNTY	TOTAL SHEETS	SHEET NO.
353	42 RS	COOK	31	6
STA.		TO STA.		
FED. ROAD DIST. NO. 1	ILLINOIS	FED. AID PROJECT		
CONTRACT NO. 60A86				

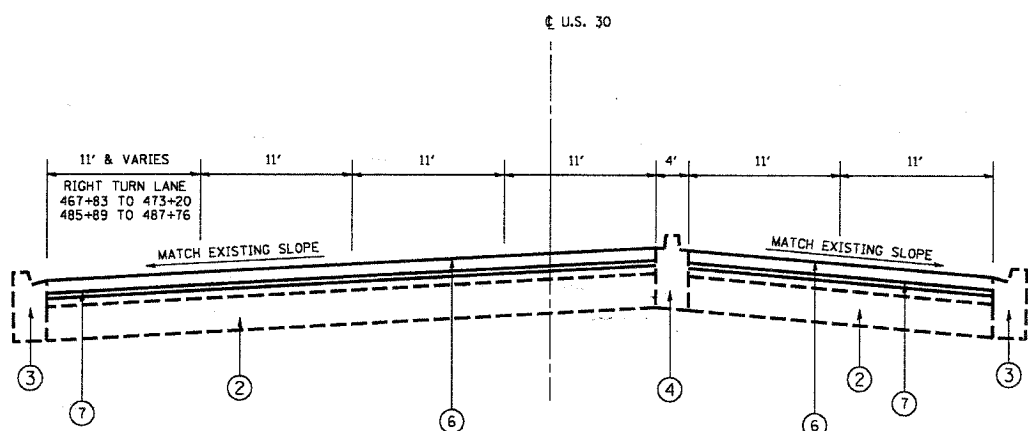


EXISTING TYPICAL SECTION  
U.S. 30 (LINCOLN HWY).

STATION  
467+71 TO 472+75  
483+13 TO 486+97

LEGEND

- ① EXISTING HOT-MIX ASPHALT SURFACE COURSE, 3"(±)
- ② EXISTING PCC BASE COURSE, 10"(±)
- ③ EXISTING COMBINATION CONC. CURB & GUTTER TYPE B.24
- ④ EXISTING CONCRETE BARRIER MEDIAN
- ⑤ HOT-MIX ASPHALT SURFACE REMOVAL - 2 1/2 "
- ⑥ PROPOSED POLYMERIZED HOT-MIX ASPHALT SURFACE COURSE, MIX "F", N90, 1 3/4 "
- ⑦ PROPOSED POLYMERIZED LEVELING BINDER (MM), IL-4.75, N50, 3/4 "



PROPOSED TYPICAL SECTION  
U.S. 30 (LINCOLN HWY).

STATION  
467+71 TO 472+75  
483+13 TO 486+97

REVISIONS	
NAME	DATE

ILLINOIS DEPARTMENT OF TRANSPORTATION  
  
U.S. 30  
EXISTING AND PROPOSED  
TYPICAL SECTIONS

SCALE: VERT.  
HORIZ.  
DATE

DRAWN BY  
CHECKED BY

PLOT DATE: 12/20/2006  
 FILE NAME: \\n:\projects\111809\design\aa.dgn  
 PLOT SCALE: 1/8"=1'-0"  
 USER NAME: qureshiya