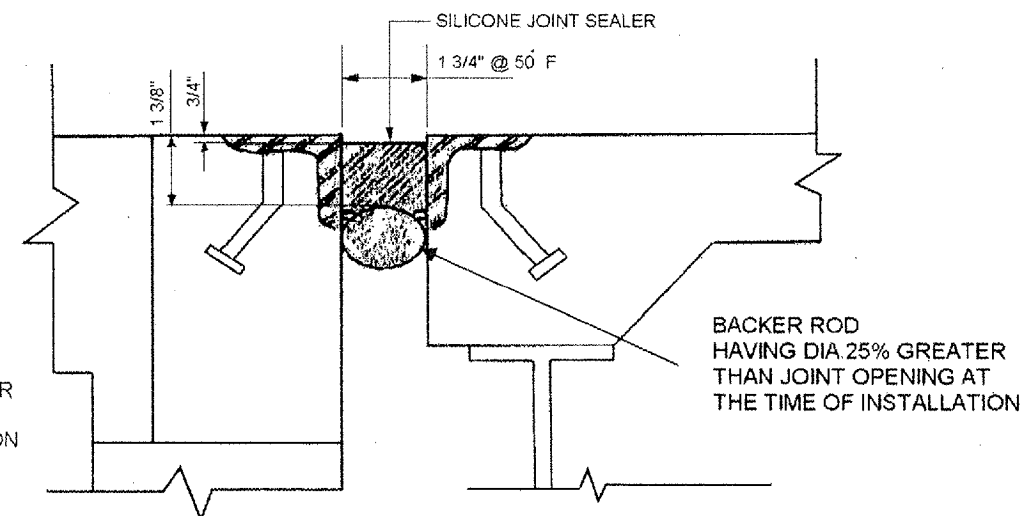
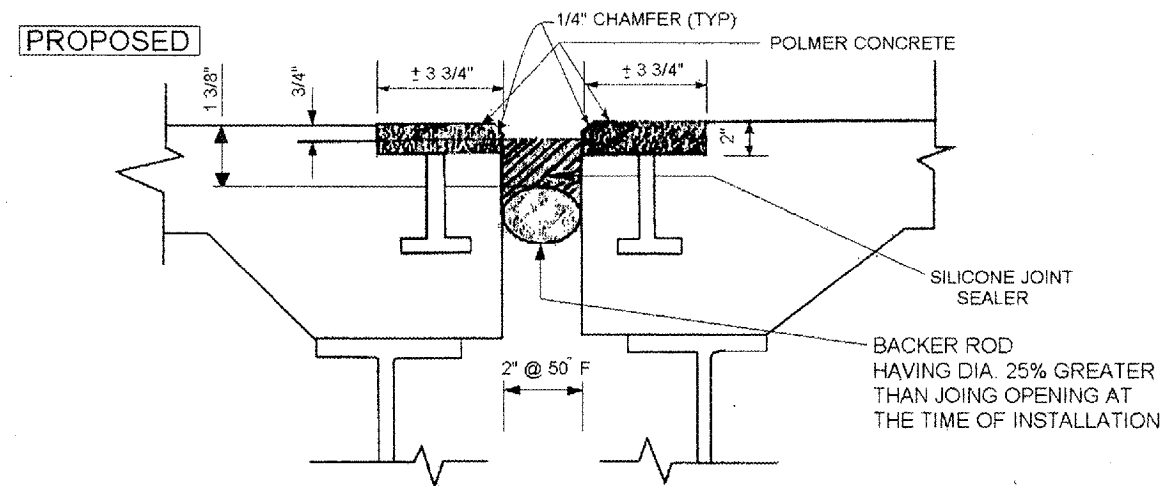
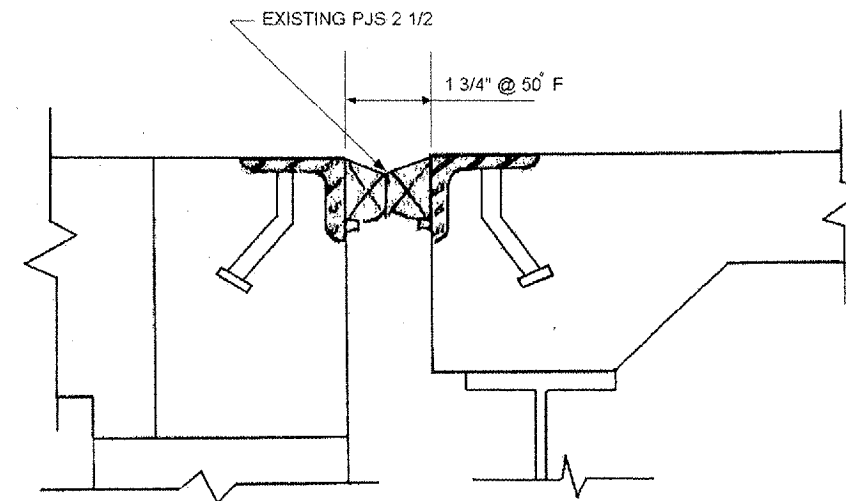
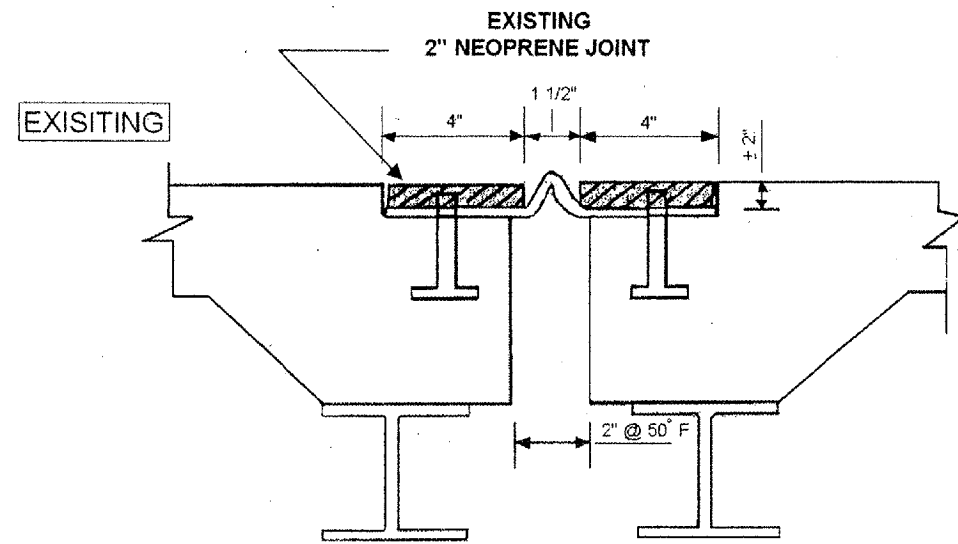


ROUTE	SECTION	COUNTY	TOTAL SHEETS	SHEET NUMBER
FAP 348	3128-Z-HB-1-I	COOK	16	6

CONTRACT No. 60B25

2 of 11



**DETAIL B**  
**PIERS 1,2,3**

**DETAIL A**  
**E & W ABUTMENT**

ILLINOIS DEPARTMENT OF  
TRANSPORTATION  
EB 95<sup>TH</sup> ST RAMP SB TO IL 43 (HARLEM AVE)  
SN 016-1010  
BRIDGE REPAIR DETAILS