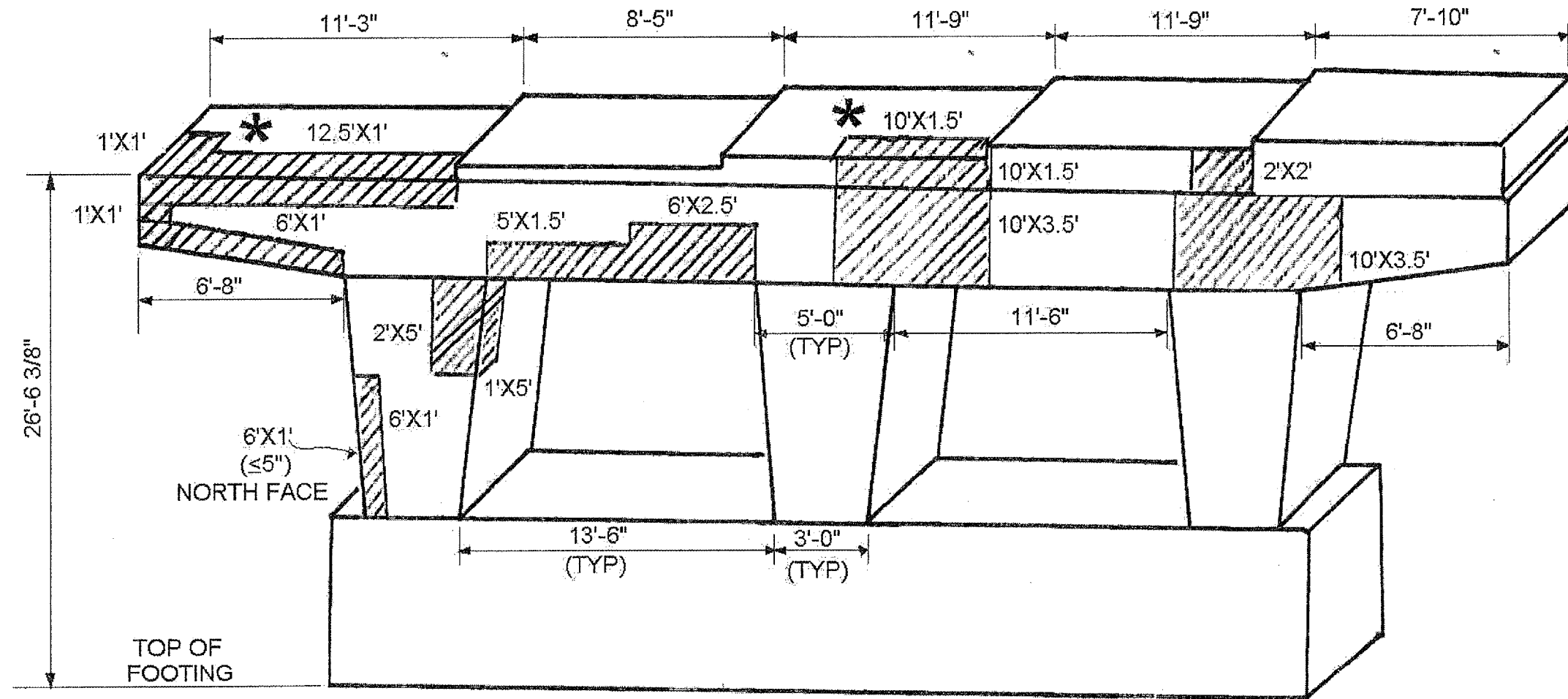


ROUTE	SECTION	COUNTY	TOTAL SHEETS	SHEET NUMBER
FAP 348	3128-Z-HB-1-I	COOK	16	13

CONTRACT No. 60B25

9 OF 11



PIER 3 BILL OF MATERIALS



STRUCTURAL REPAIR OF CONCRETE (≤5")

WEST FACE: 199 SQ. FT.
EAST FACE: 174 SQ. FT.
TOTAL 373 SQ. FT.



BEAM END SUPPORT REQ. BEAM 1 EAST & WEST FACE & BM 3 EAST FACE
TEMPORARY SHORING & CRIBBING, EACH - 3

PIER 3 EAST FACE
(LOOKING WEST)

	REACTIONS	
	SPAN 3	SPAN 4
R DL (K)	45.1	47.1
R LL (K)	35.4	33.1
R IMP (K)	8.8	8.0
R (TOTAL)	89.3	88.2

SHEET 2 OF 2

ILLINOIS DEPARTMENT OF
TRANSPORTATION

PIER 3 EAST FACE
EB 95TH ST RAMP SB TO IL 43 (HARLEM AVE)
SN 016-1010
STRUCTURAL PLAN