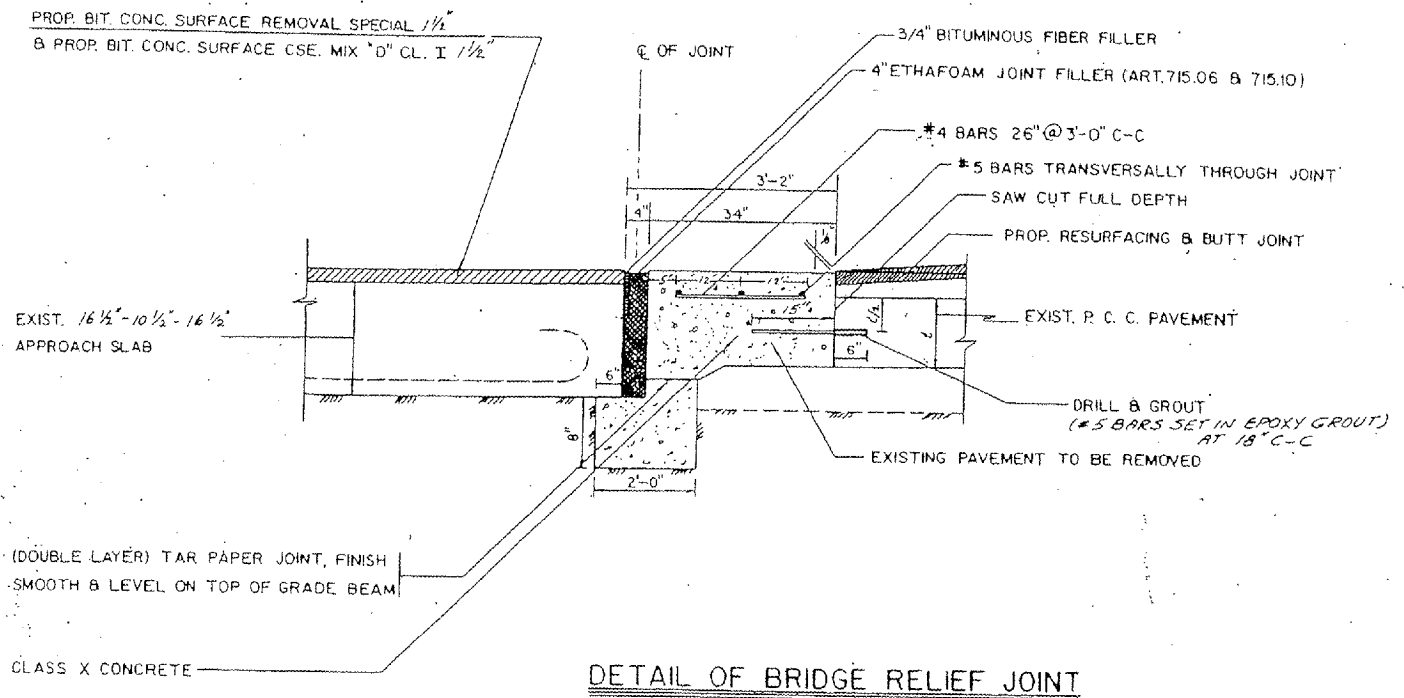
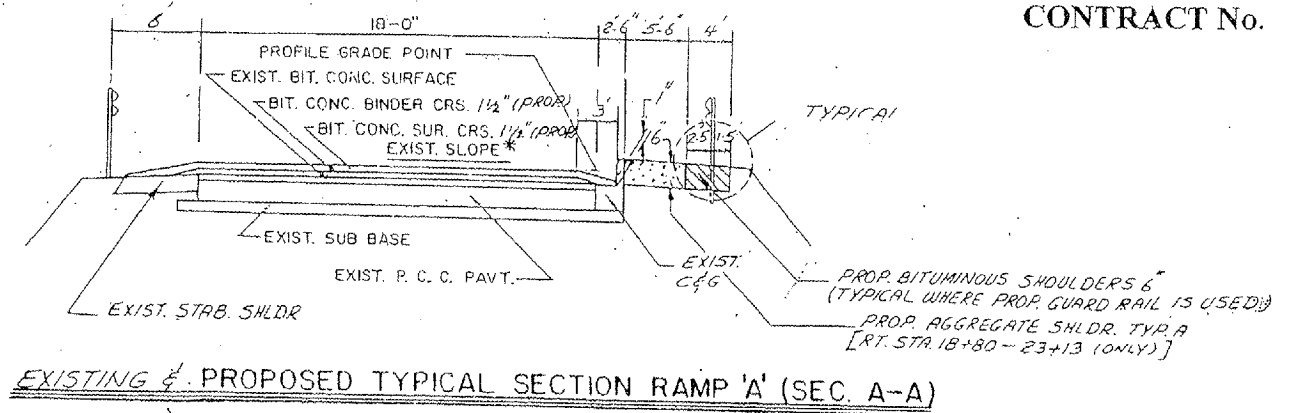


ROUTE	SECTION	COUNTY	TOTAL SHEETS	SHEET NUMBER
FAP 348	3128-Z-HB-1-1	COOK	16	15

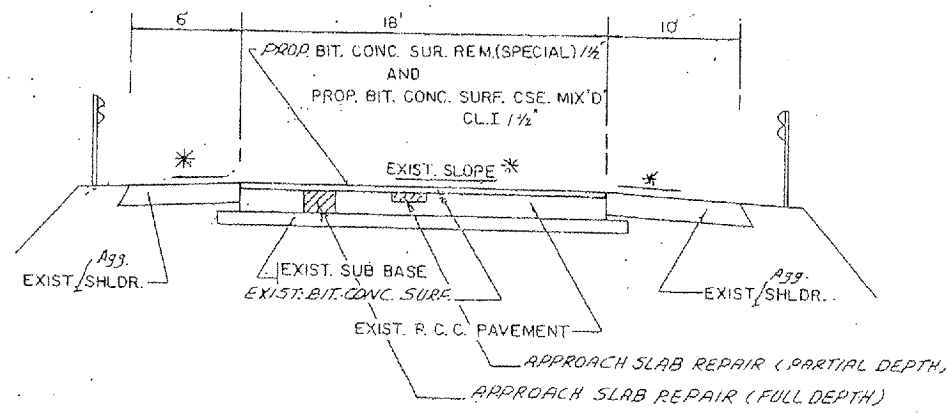
CONTRACT No. 60B25



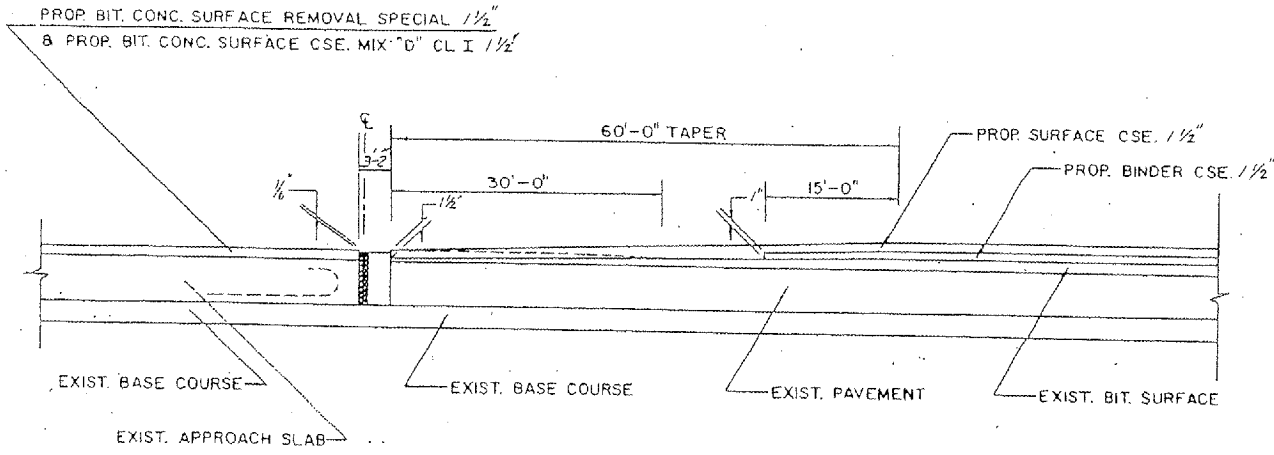
DETAIL OF BRIDGE RELIEF JOINT



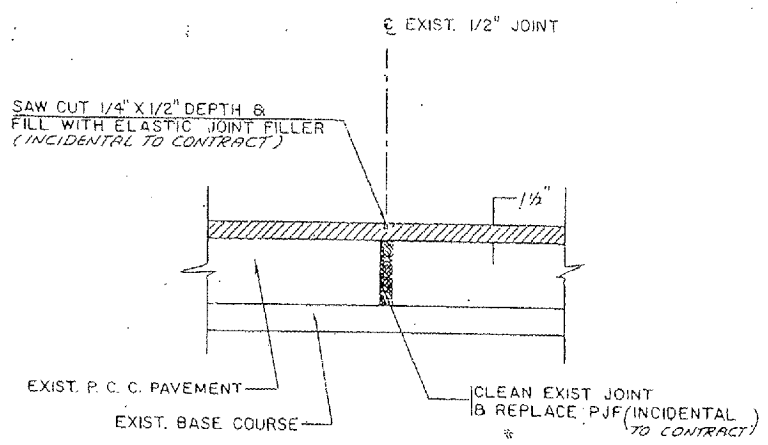
EXISTING & PROPOSED TYPICAL SECTION RAMP 'A' (SEC. A-A)



EXISTING & PROPOSED TYPICAL SECTION APPROACH SLAB (SEC. B-B)



DETAIL 60' TAPER BUTT JOINT



SECTION THRU EXPANSION JOINT (SEC. C-C)
APPROACH SLAB

FOR INFORMATION ONLY

ILLINOIS DEPARTMENT OF
TRANSPORTATION

APPROACH PAVEMENT

EB 95TH ST RAMP SB TO IL 43 (HARLEM AVE)
SN 016-1010