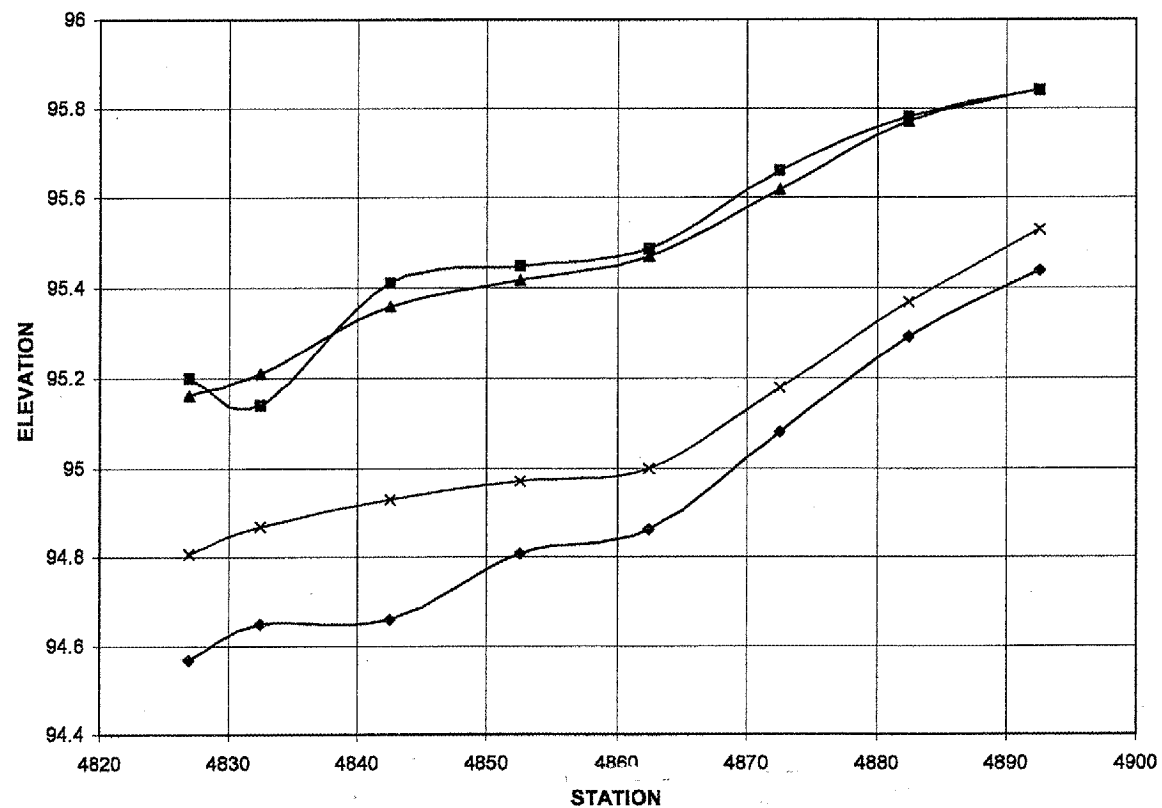


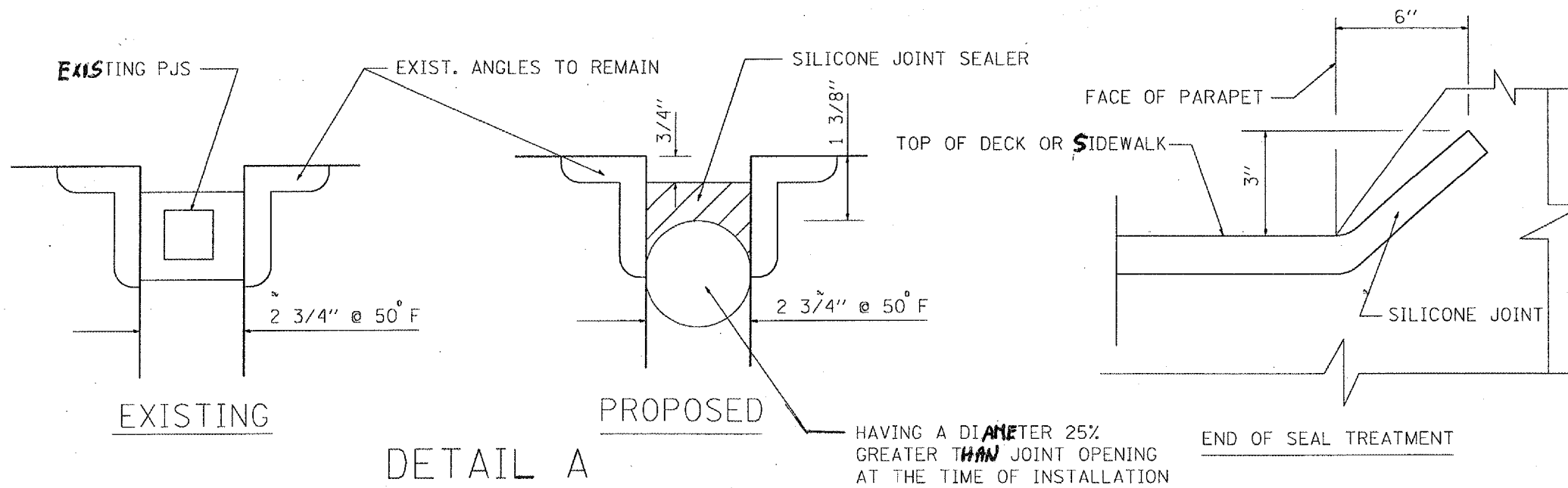
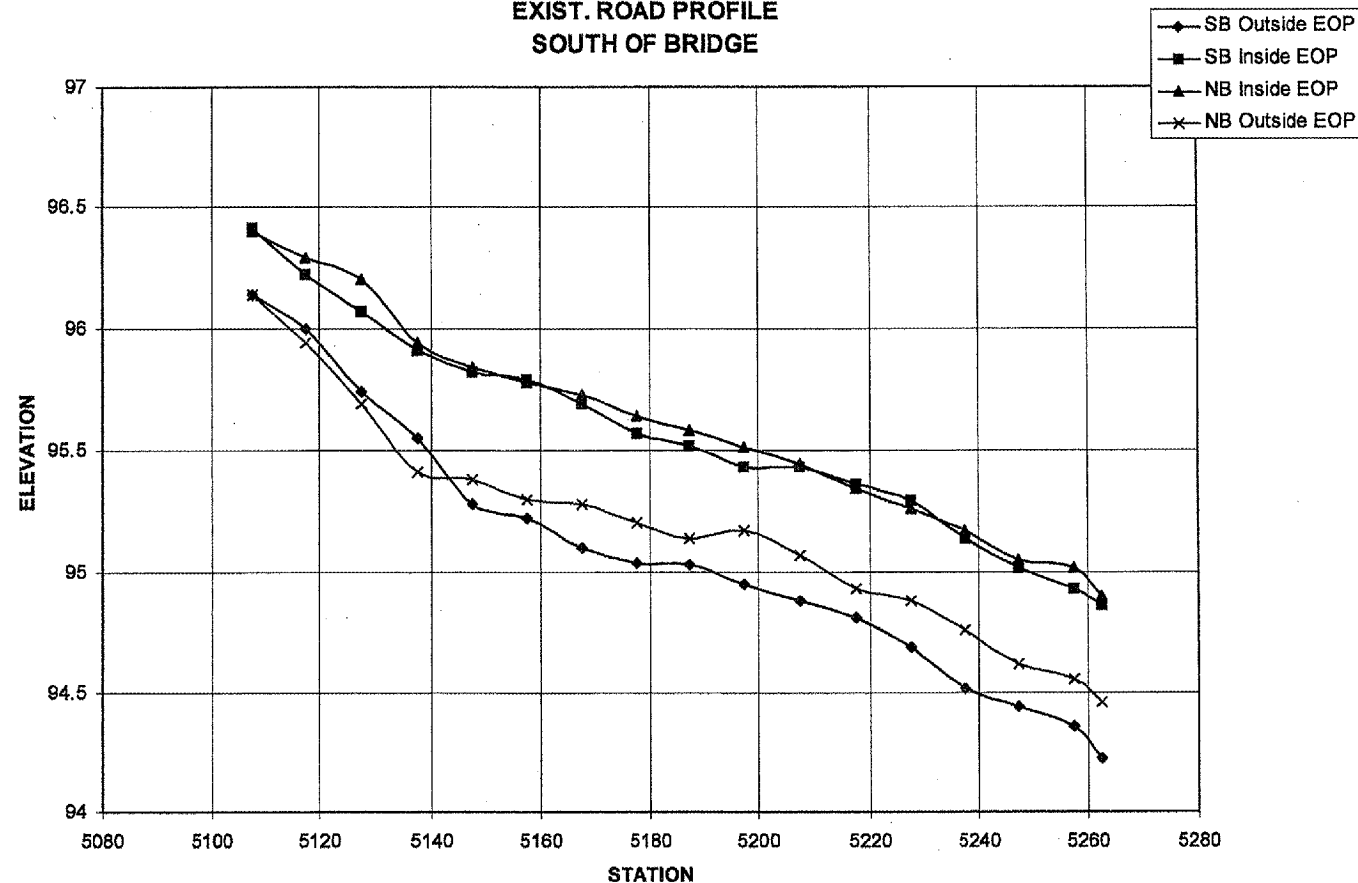
ROUTE	SECTION	COUNTY	TOTAL SHEETS	SHEET NUMBER
362	N-6-7-I-1	COOK	14	8

CONTRACT: 60B28

EXIST. ROAD PROFILE  
NORTH OF BRIDGE



EXIST. ROAD PROFILE  
SOUTH OF BRIDGE



NOTE: PROPOSED PROFILE  
PER ART. 406.06 A STRINGLINE SHALL BE USED AS A GUIDE. THE STRINGLINE SHALL BE SET BY THE ENGINEER USING THE BEGINNING AND ENDING ELEVATION GIVEN IN THE EXISTING PROFILE.

ILLINOIS DEPARTMENT OF  
TRANSPORTATION  
BARRINGTON RD  
OVER I-90 (NORTHWEST TOLLWAY)  
ROAD PROFILE & DETAIL