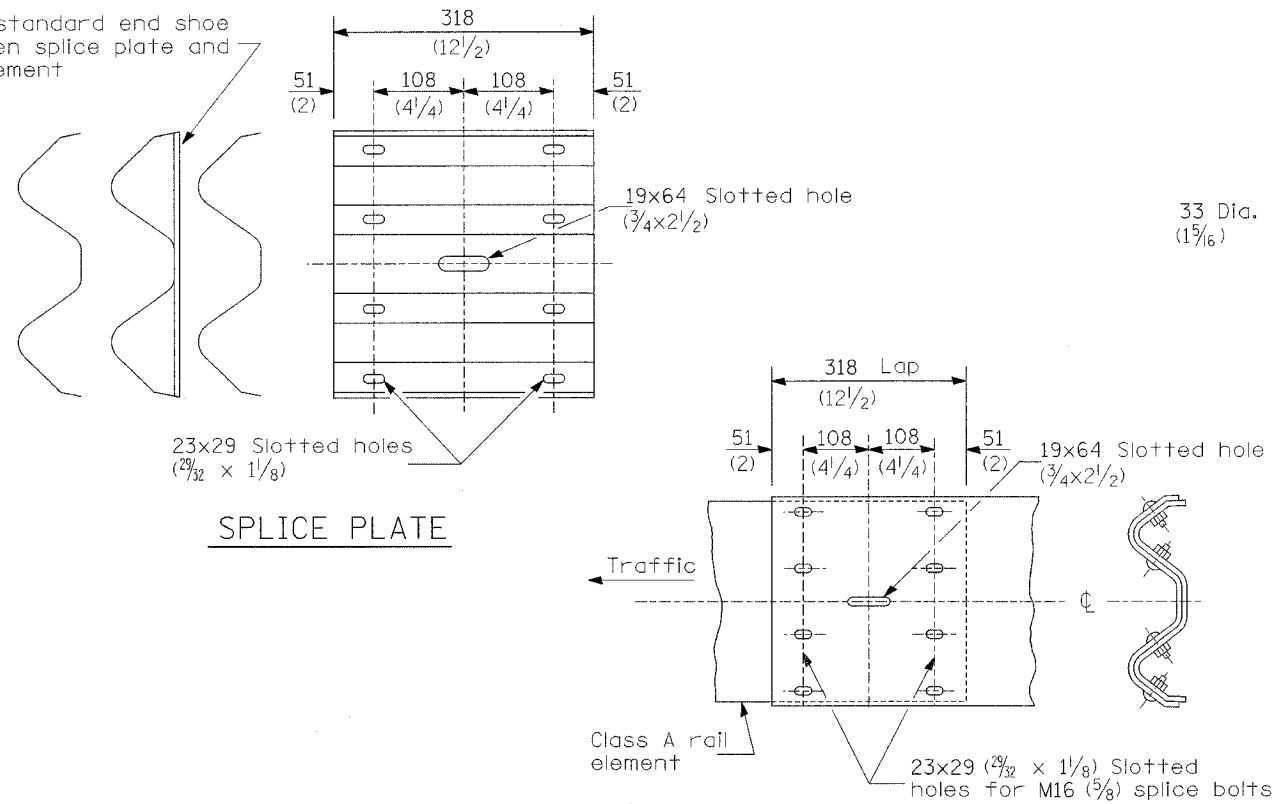


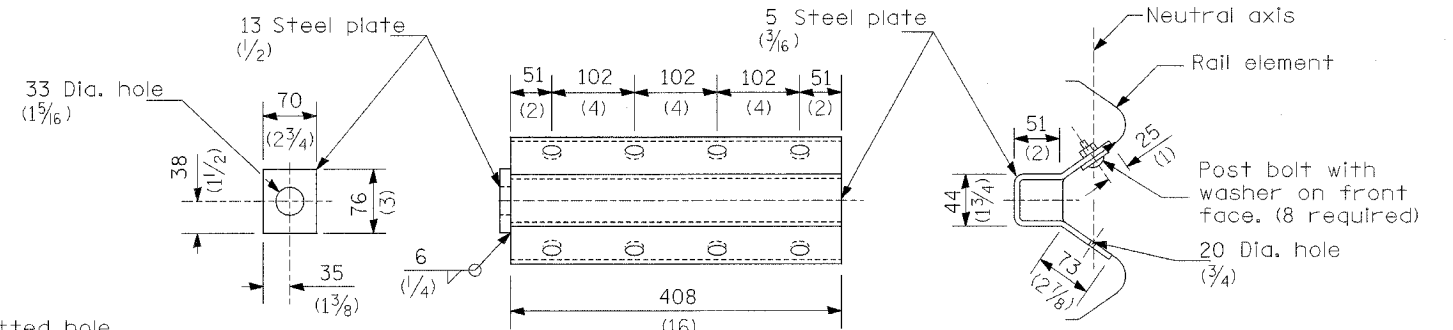
F.A.I. RTE.	SECTION	COUNTY	TOTAL SHEETS	SHEET NO.
55	99 (1&2)	WRS-2	WILL	228
			FED. AID PROJECT	53C

Place standard end shoe between splice plate and rail element



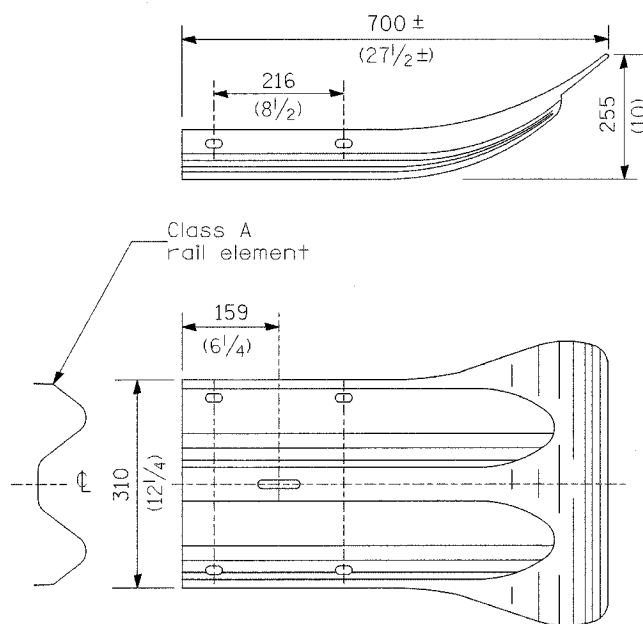
**SPLICE PLATE**

**RAIL ELEMENT SPLICE**

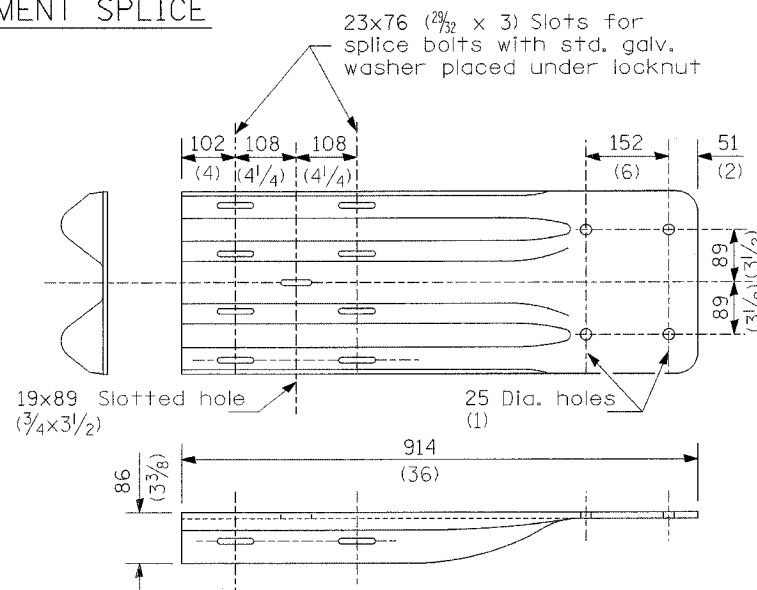


NOTE  
Anchor plate T shall be used to attach cable assembly to guardrail when required on traffic barrier terminals.

**ANCHOR PLATE T DETAILS**



**END SECTION**



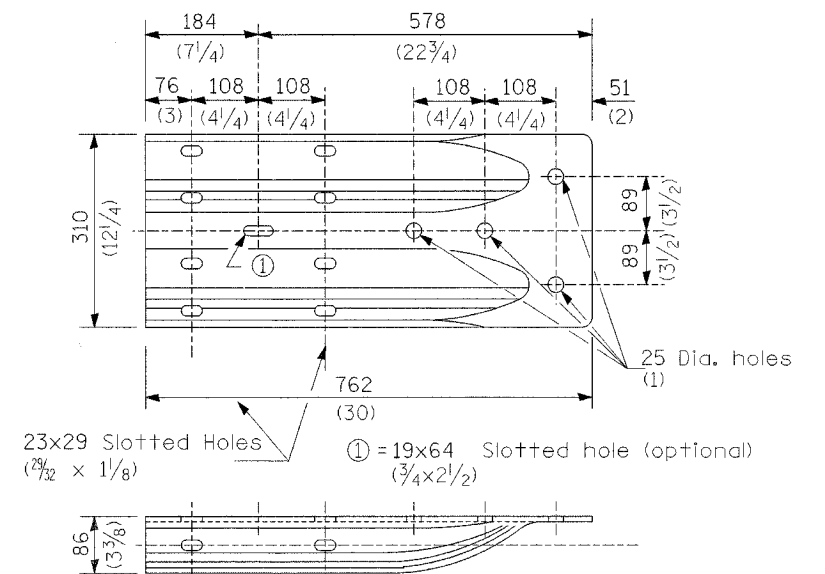
NOTE

When end shoe is attached to a bridge parapet which has an expansion joint, the bolts shall be provided with a locknut or double nut and shall be tightened only to a point that will allow guardrail movement.

The standard end shoe shall be attached to the concrete with pre-drilled or self-drilling anchor bolts. The anchor cone shall be set flush with the surface of the concrete.

Externally threaded studs protruding from the surface of the concrete will not be permitted.

**END SHOE**



**ALTERNATE END SHOE**

**STEEL PLATE BEAM GUARDRAIL**

(Sheet 3 of 4)

**ROADWAY DETAIL**