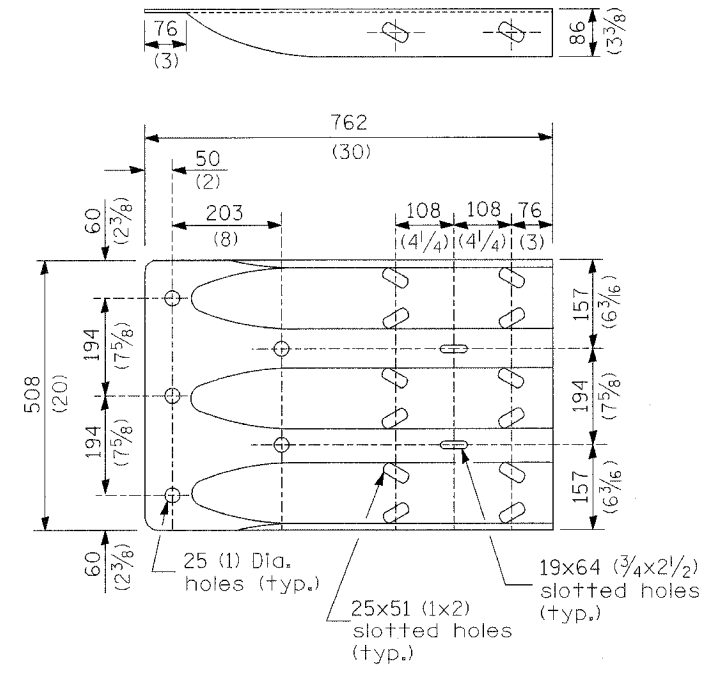
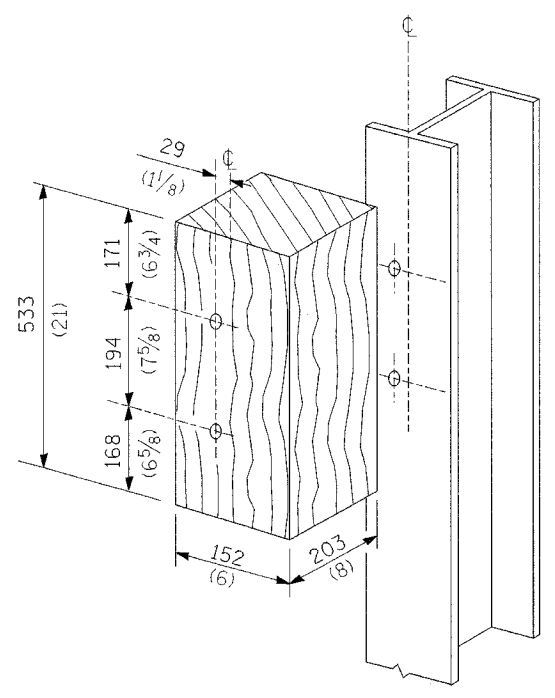


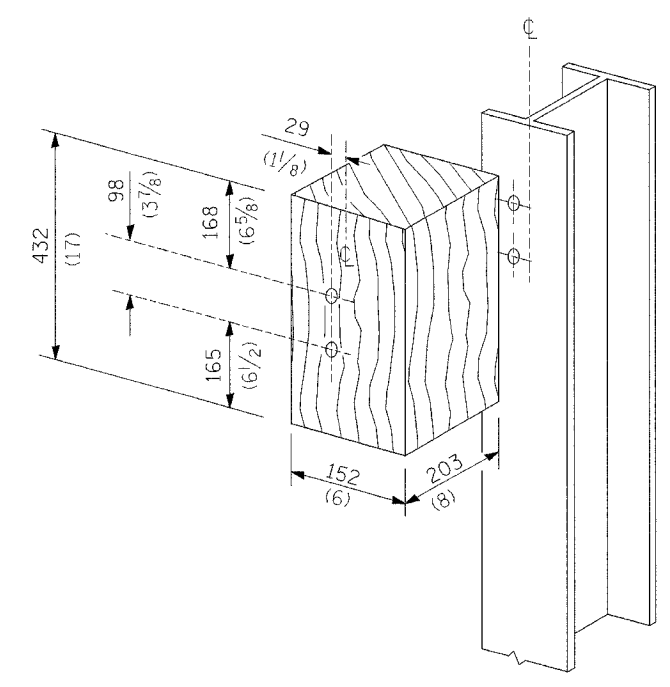
CONTRACT NO. 60B46				
F.A.I. RTE.	SECTION	COUNTY	TOTAL SHEETS	SHEET NO.
55	99 (1&2) WRS	WILL	228	531
FED. ROAD DIST. NO.	ILLINOIS	FED. AID PROJECT		



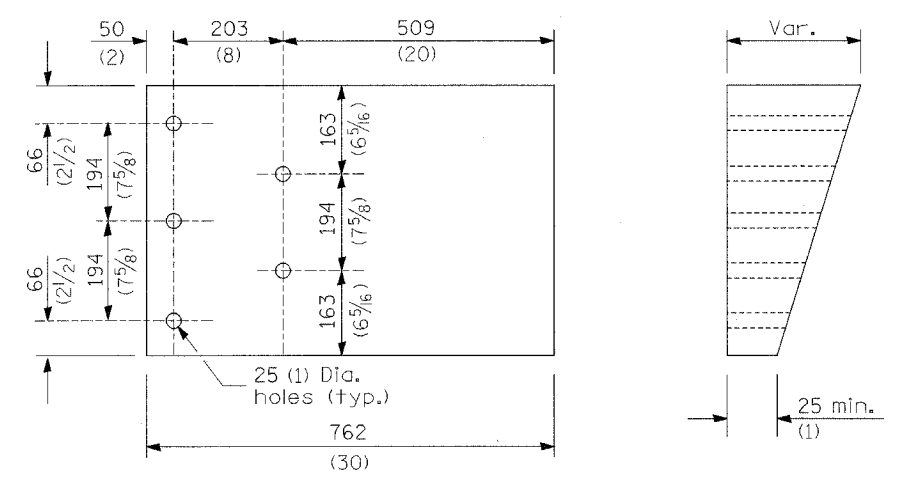
THRIE BEAM END SHOE DETAIL



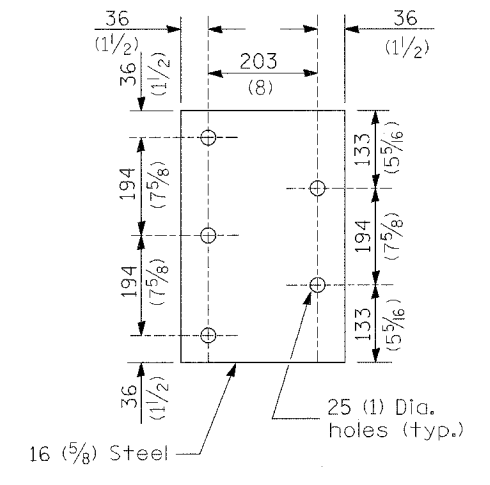
POSTS 1-11 WOOD BLOCKOUT DETAIL



POST 12 WOOD BLOCKOUT DETAIL



PARAPET WOOD BLOCK-OUT DETAIL



PARAPET STEEL BEARING PLATE DETAIL

(5 each individual 125x125x16 (5x5x5/8) steel plates with centered 25 (1) holes may be substituted for the plate shown.)

TRAFFIC BARRIER
 TERMINAL, TYPE 6
 Sheet 3 of 3
ROADWAY DETAILS