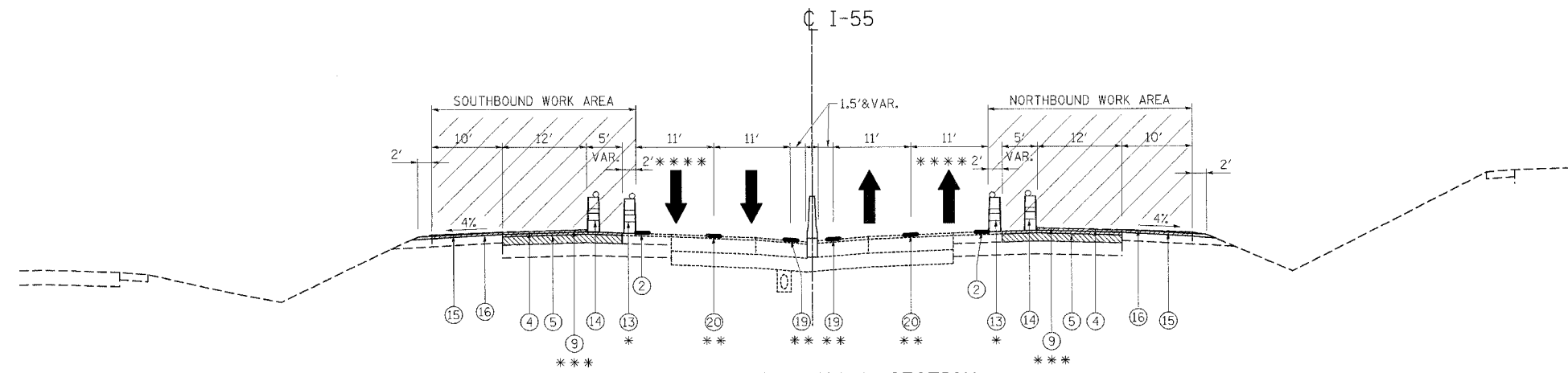


F.A.I. RTE.	SECTION	COUNTY	TOTAL SHEETS	SHEET NO.
55	99 (I&2) WRS-2	WILL	228	87
STA.		TO STA.		
FED. ROAD DIST. NO.	ILLINOIS	FED. AID PROJECT		



**SUGGESTED TYPICAL SECTION
STAGE II**

STA. 402+65 TO STA. 573+00

- * SEE NOTE 1
- ** SEE NOTE 2 (APPLIED AT THE END OF STAGE I - 2008 CONSTRUCTION)
- *** SEE NOTE 3
- **** SEE NOTE 4

LEGEND:

- ① TEMPORARY ASPHALT WEDGE
- ② PAVEMENT MARKING TAPE, TYPE III 4"
- ③ PAVEMENT MARKING TAPE, TYPE III 5" SKIP-DASH
- ④ BITUMINOUS SURFACE REMOVAL, 3 1/2"
- ⑤ POLYMERIZED HOT-MIX ASPHALT BINDER COURSE, SMA 1 3/4"
- ⑥ AGGREGATE SUBGRADE, 12"
- ⑦ HOT-MIX ASPHALT BASE COURSE
- ⑧ TRENCH BACKFILL
- ⑨ POLYMERIZED HOT-MIX ASPHALT SURFACE COURSE, SMA 1 3/4"
- ⑩ STORM SEWER
- ⑪ BARRIER BASE
- ⑫ CONCRETE BARRIER, DOUBLE FACE
- ⑬ DRUMS W/ STEADY BURN LIGHTS @ 100' C-C
- ⑭ CHECK DRUM W/ STEADY BURN LIGHTS @ 1000' C-C
- ⑮ BITUMINOUS SURFACE REMOVAL (VARIABLE DEPTH)
- ⑯ HOT-MIX ASPHALT SURFACE COURSE, MIX D, N70, 2"
- ⑰ TEMPORARY CONCRETE BARRIER
- ⑱ VERTICAL PANEL W/ STEADY BURN LIGHTS @ 100' C-C IN CURVES AND 200' C-C ON TANGENTS
- ⑲ EPOXY PAVEMENT MARKING - LINE 4"
- ⑳ EPOXY PAVEMENT MARKING - LINE 5" SKIP-DASH
- ㉑ PERMANENT THERMOPLASTIC PAVEMENT MARKING - LINE 4"

- [Hatched Box] PAVEMENT PATCHING (AS DIRECTED BY THE ENGINEER)
- [Diagonal Lines] BITUMINOUS SURFACE REMOVAL AND RESURFACING
- [Dashed Box] WORK AREA
- [Arrow] TRAFFIC FLOW

NOTES:

- DRUMS SHALL NOT BE PLACED IN THE LANE WHICH IS OPEN TO TRAFFIC. DURING MILLING AND PAVING OPERATIONS, THE CONTRACTOR SHALL USE ONE FOOT WIDE VERTICAL BARRICADES WITH STEADY BURN LIGHTS ALONG THE MILLING AND PAVING OPERATIONS. DRUMS WITH STEADY BURN MONO-DIRECTIONAL LIGHTS SHALL BE USED TO DELINEATE ALL OPEN RAMPS THROUGH THE WORK AREA.
- WITHIN THE PROJECT LIMITS OF THIS CONTRACT, FULL STANDARD PAVEMENT MARKINGS USING EPOXY PAVEMENT MARKING LINES SHALL BE APPLIED TO THE BINDER COURSE FOR THE LINES SHOWN. THE CONTRACTOR MAY ELECT TO USE EXTRUDED THERMOPLASTIC, PLACED IN ACCORDANCE WITH THE STANDARD SPECIFICATIONS, IN LIEU OF EPOXY PAVEMENT MARKING AT NO ADDITIONAL COST TO THE CONTRACT. NORTH OF THE PROJECT LIMITS, PAVEMENT MARKING TAPE, TYPE III SHALL BE APPLIED TO THE PAVEMENT SURFACE CONSTRUCTED BY CONTRACT 60B86.
- CONSTRUCT SURFACE COURSE ON THE OUTSIDE SHOULDER AND OUTSIDE LANE (LANE 3) ONLY DURING THIS STAGE.
- THE DISTANCE BETWEEN THE LANE LINE AND THE EDGE OF THE MILLING, PATCHING, AND PLACING OF THE BINDER COURSE VARIES AT THE LOCATIONS WHERE LANE SHIFTS ARE SHOWN ON THE STAGING AND TRAFFIC CONTROL PLAN SHEETS. AT THESE LOCATIONS, THE MILLING, PATCHING, AND PLACING OF THE BINDER COURSE SHALL BE COMPLETED AT NIGHT USING NIGHT TIME LANE CLOSURES OF THE STAGE II INSIDE LANE. THE MILLING, PATCHING, AND PLACING OF THE BINDER COURSE SHALL EXTEND TO 27 FEET FROM THE CENTERLINE DURING THIS STAGE.

REVISIONS	
NAME	DATE

ILLINOIS DEPARTMENT OF TRANSPORTATION
FAI ROUTE 55 (BLACK ROAD TO U.S. 30)
WIDENING AND RESURFACING

**STAGING AND TRAFFIC CONTROL
FAI 55 - TYPICAL SECTIONS
STAGE II**

SCALE: _____ DRAWN BY AG
DATE 04/20/07 CHECKED BY DDH

TENG
TENG & ASSOCIATES, INC.
ENGINEERS/ARCHITECTS/PLANNERS
CHICAGO, ILLINOIS

PLOT DATE = 04/20/07
 FILE NAME = 60B46.DWG
 PLOT SCALE = 1/4"=1'-0"
 USER NAME = RUSBY