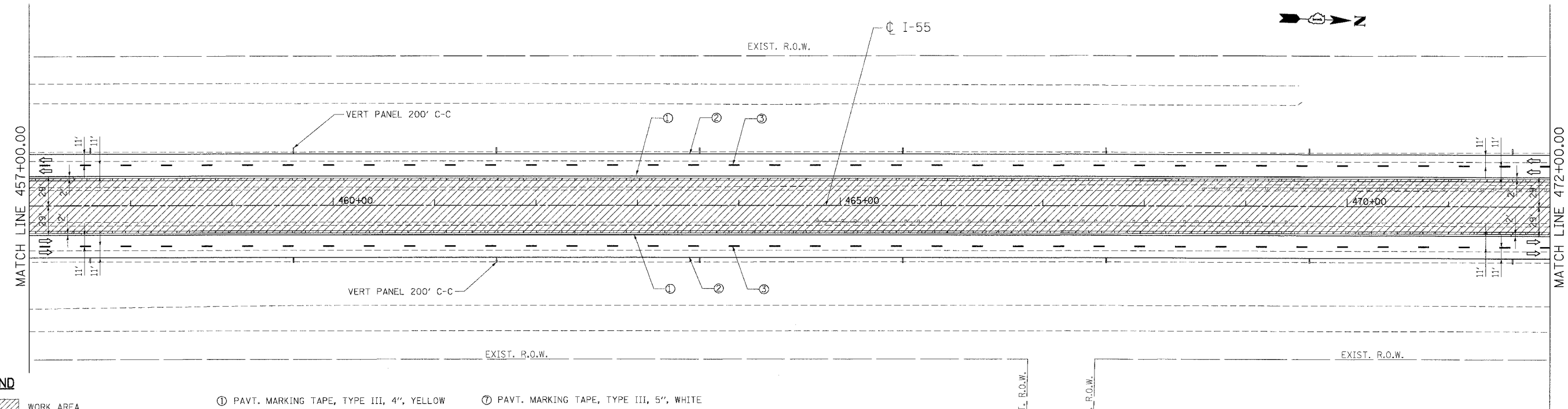
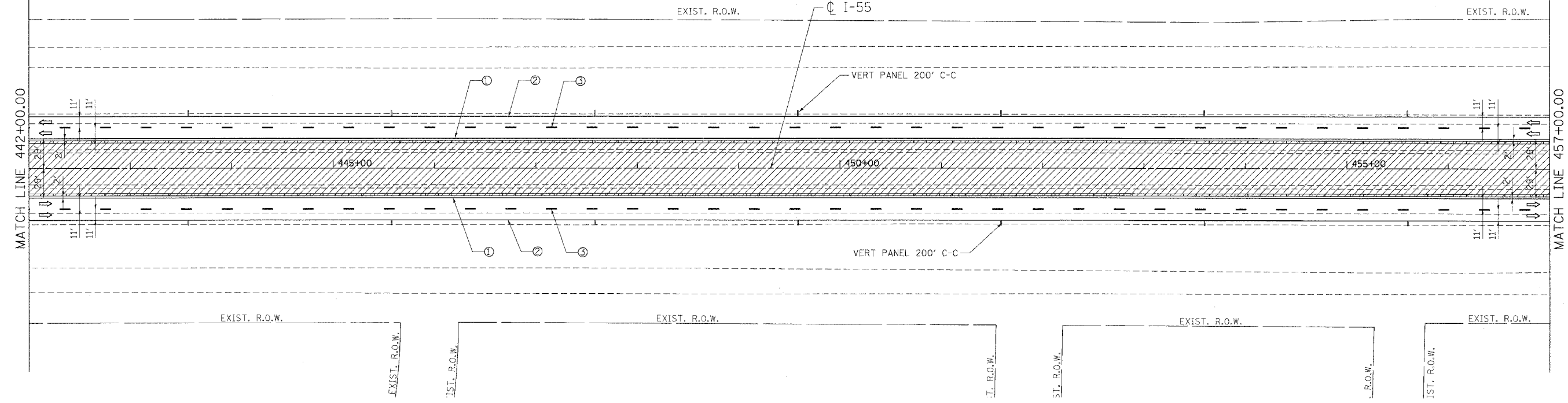


F.A.I. RTE.	SECTION	COUNTY	TOTAL SHEETS	SHEET NO.
55	99 (1&2) WRS-2	WILL	228	91
STA.		TO STA.		
FED. ROAD DIST. NO.		ILLINOIS	FED. AID PROJECT	



LEGEND

- WORK AREA
- DRUMS W/ MONO-DIRECTIONAL STEADY BURN LIGHT
- VERTICAL PANEL
- TEMPORARY CONC. BARRIER
- TRAFFIC FLOW
- BARRICADE, TYPE III WITH TWO FLASHING LIGHTS
- PAVT. MARKING TAPE, TYPE III, 4", YELLOW
- PAVT. MARKING TAPE, TYPE III, 4", WHITE
- PAVT. MARKING TAPE, TYPE III, 5", WHITE (10' DASH 30' SKIP)
- PAVT. MARKING TAPE, TYPE III, 4", WHITE (2' DASH 6' SKIP)
- PAVT. MARKING TAPE, TYPE III, 8", WHITE
- PAVT. MARKING TAPE, TYPE III, 12", WHITE
- PAVT. MARKING TAPE, TYPE III, 5", WHITE
- EPOXY PAVT. MARKING LINE 4", WHITE
- EPOXY PAVT. MARKING LINE 4", YELLOW
- EPOXY PAVT. MARKING LINE 5", WHITE (10" DASH 30' SKIP)
- EPOXY PAVT. MARKING LINE 5", WHITE

NOTE:

AFTER THE CONSTRUCTION OF THE CONCRETE BARRIER AND THE BASE COURSE OF NEW INSIDE LANES AND SHOULDERS IS COMPLETE, THE CONTRACTOR SHALL REMOVE THE TEMPORARY CONCRETE BARRIER AND REPLACE IT WITH DRUMS WITH STEADY BURN LIGHTS SPACED AS SHOWN ON THE PLANS. AFTER THE TEMPORARY CONCRETE BARRIER IS REPLACED WITH DRUMS, EMERGENCY PULLOUTS SHALL CONTINUE TO BE PROVIDED APPROXIMATELY EVERY MILE AS DIRECTED BY THE ENGINEER AND AS SHOWN ON THE DETAIL FOR EMERGENCY PULLOUT USING DRUMS IN LIEU OF THE TEMPORARY CONCRETE BARRIER.

REVISIONS	
NAME	DATE

ILLINOIS DEPARTMENT OF TRANSPORTATION
 FAI ROUTE 55 (BLACK ROAD TO U.S. 30)
 WIDENING AND RESURFACING

**STAGING AND TRAFFIC CONTROL
 FAI 55 - STAGE I
 STA. 442+00.00 TO STA. 472+00.00**

SCALE: 1"=50'
 DATE: 03/15/07

DRAWN BY: AG
 CHECKED BY: DDH

TENG
 TENG & ASSOCIATES, INC.
 ENGINEERS/ARCHITECTS/PLANNERS
 CHICAGO, ILLINOIS

PLOT DATE = 03/15/07
 FILE NAME = C:\WORK\60B46\60B46.DWG
 USER = DDH
 SA DOCUMENT NO. 20070315
 SA PROJECT NO. 60B46