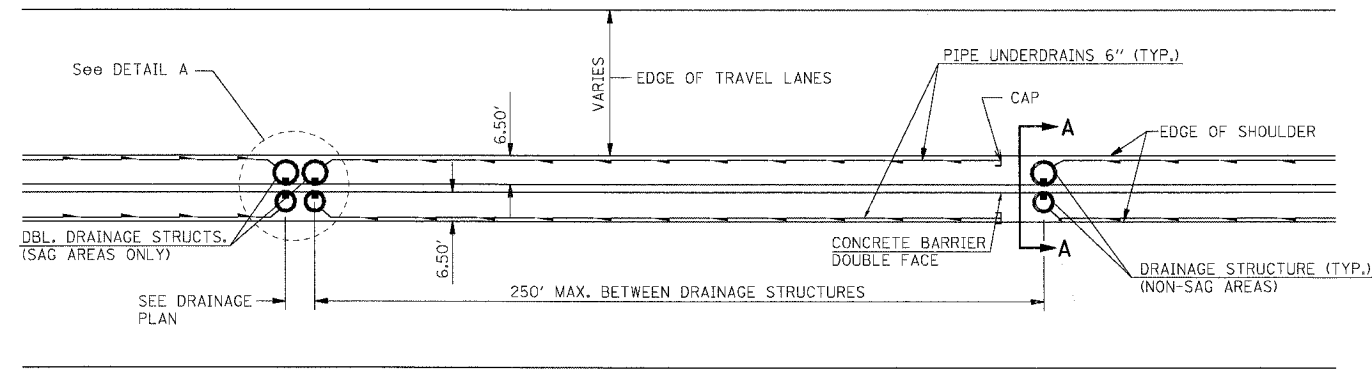
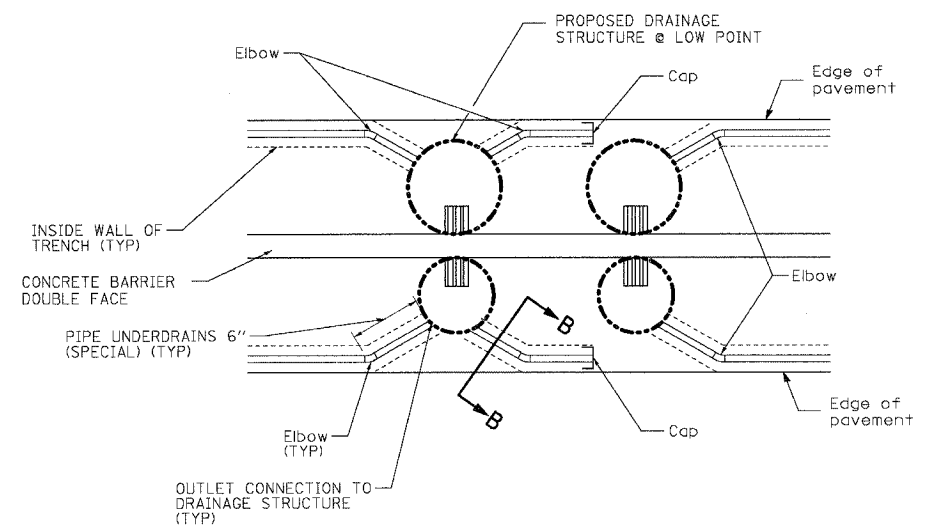


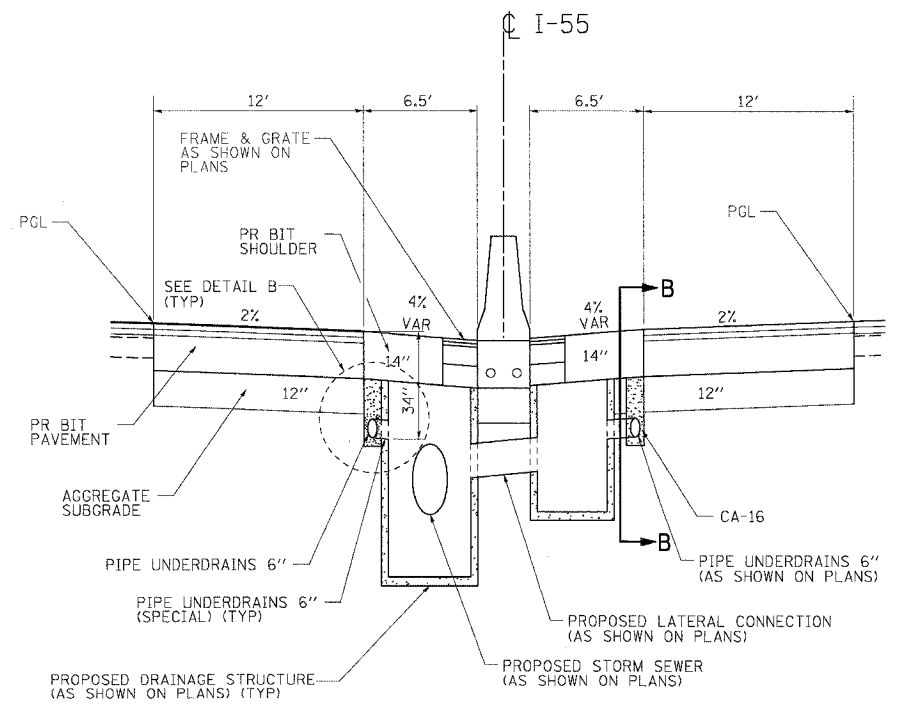
| F.A.I. RTE. | SECTION | COUNTY | TOTAL SHEET SHEETS: NO. |
|---------------------|----------------|---------------------------|-------------------------|
| 55 | 99 (1&2) WRS-2 | WILL | 228 141 |
| STA. | | TO STA. | |
| FED. ROAD DIST. NO. | | ILLINOIS FED. AID PROJECT | |



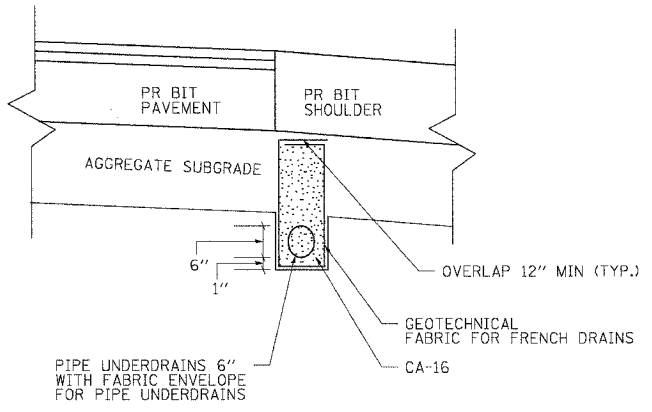
PROPOSED PLAN



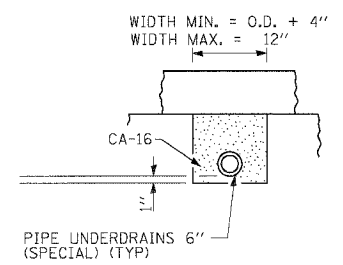
DETAIL A



SECTION A-A



DETAIL B



SECTION B-B

GENERAL NOTES

THE 24" RADIUS ON THE DRAINAGE FITTING IS ONLY A MINIMUM. LARGER RADII MEETING THE APPROVAL OF THE ENGINEER MAYBE SUBSTITUTED.

NOTES

- SEE STANDARD 601001 FOR DETAILS NOT SHOWN.
- THE COST OF GEOTECHNICAL FABRIC FOR FRENCH DRAINS, FABRIC ENVELOPE FOR PIPE UNDERDRAINS, CA-16 AGGREGATE FOR BEDDING AND TRENCH BACKFILL AND OUTLET CONNECTION TO DRAINAGE STRUCTURES WILL NOT BE PAID SEPERATELY, BUT SHALL BE INCLUDED IN THE CONTRACT UNIT PRICE FOR PIPE UNDERDRAINS 6".

| REVISIONS | |
|-----------|------|
| NAME | DATE |
| | |
| | |
| | |
| | |
| | |
| | |
| | |
| | |
| | |

ILLINOIS DEPARTMENT OF TRANSPORTATION
FAI ROUTE 55 (BLACK ROAD TO U.S. 30)
WIDENING AND RESURFACING

DRAINAGE DETAILS - II
PIPE UNDERDRAINS

SCALE: N.T.S. DRAWN BY MRK
DATE 02/23/07 CHECKED BY DDH

TENG TENG & ASSOCIATES, INC.
ENGINEERS/ARCHITECTS/PLANNERS
CHICAGO, ILLINOIS

PLOT DATE = 04/18/08
 FILE NAME = 0211E10.DWG
 PLOT SCALE = 1/8"=1'-0"
 USER NAME = DDH