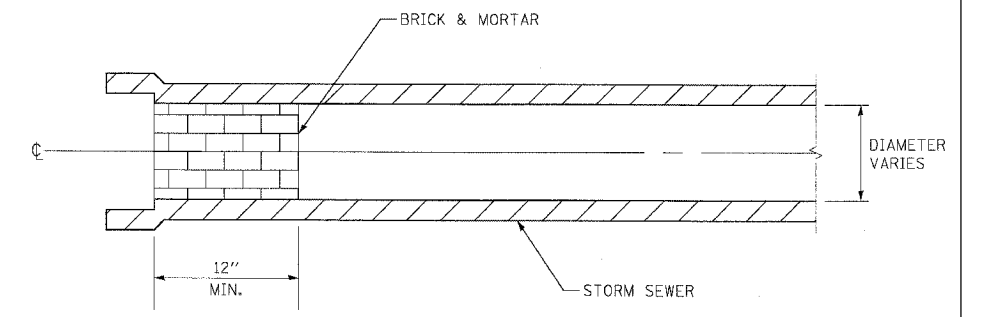
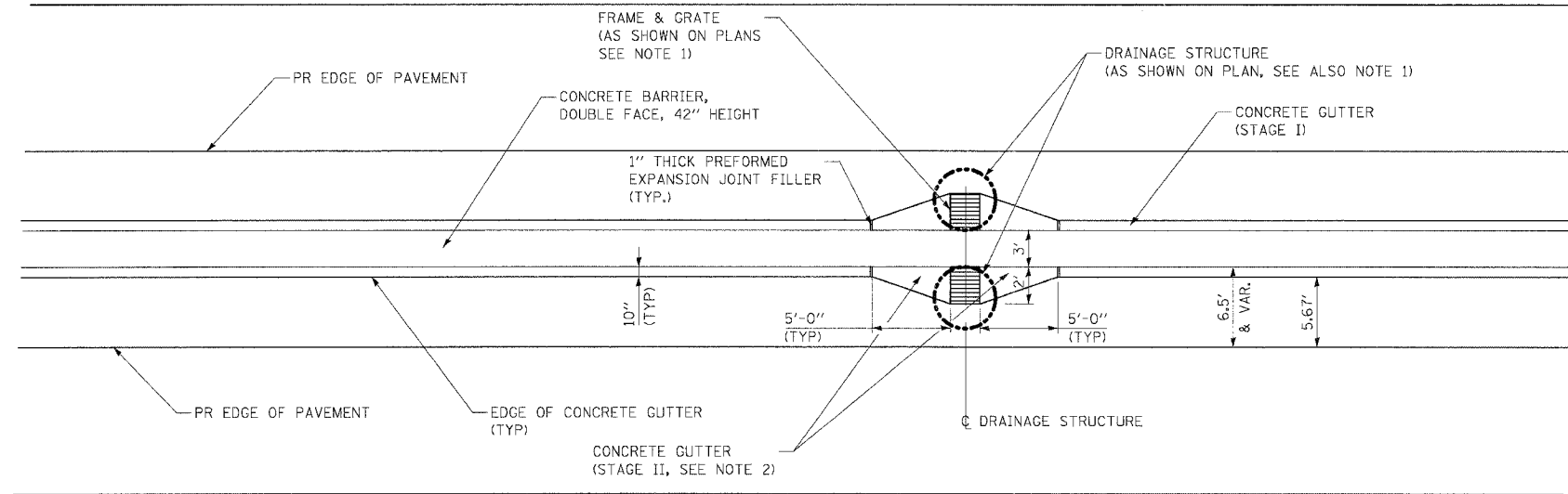


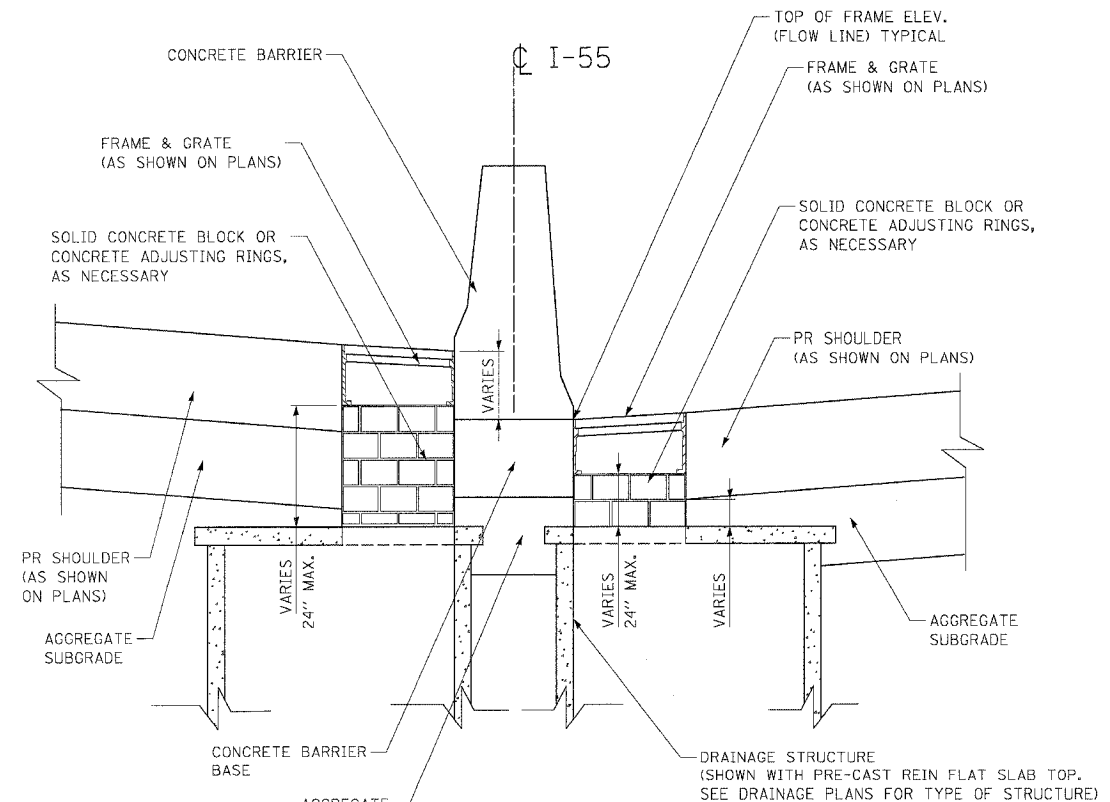
F.A.I. RTE.	SECTION	COUNTY	TOTAL SHEETS	SHEET NO.
55	99 (1&2) WRS-2	WILL	228	142
STA. TO STA.		FED. ROAD DIST. NO. ILLINOIS FED. AID PROJECT		



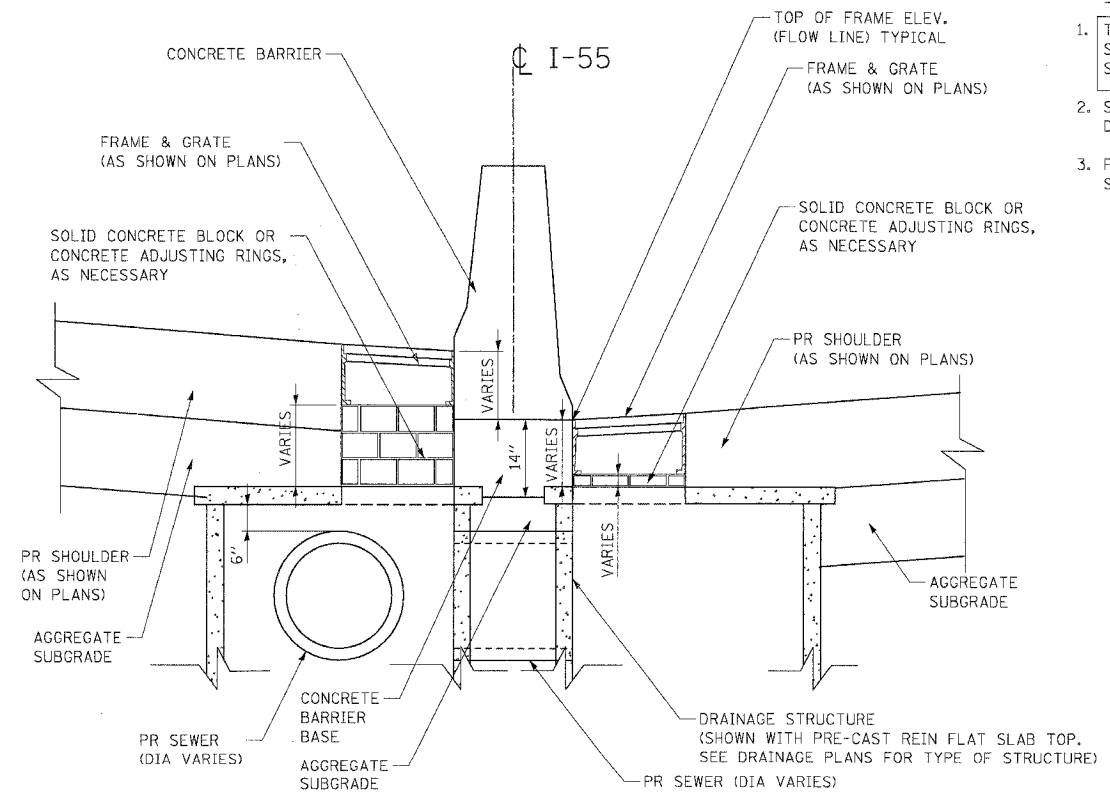
CULVERT AND STORM SEWER PLUGS

CONCRETE GUTTER DETAIL AT DRAINAGE STRUCTURE

- NOTES**
- SEE DRAINAGE GENERAL NOTES REGARDING ADJUSTMENT OF FRAMES AND GRATES.
 - SEE ROADWAY GENERAL NOTES FOR DETAILS REGARDING THE STAGING AND THE PAYMENT OF THE VARIABLE WIDTH CONCRETE GUTTER ADJACENT TO THE DRAINAGE STRUCTURES.



SIDE ELEVATION
TOP OF STRUCTURE BENEATH OR AT BOTTOM OF BARRIER BASE AND SHOULDER



SIDE ELEVATION
TOP OF STRUCTURE EXTENDS INTO BARRIER BASE AND SHOULDER

- NOTES**
- THE COST OF SOLID CONCRETE BLOCK OR CONCRETE ADJUSTING RINGS SHALL BE INCLUDED IN THE CONTRACT UNIT PRICE OF DRAINAGE STRUCTURES OF TYPE OR SIZE SPECIFIED.
 - SEE STATE AND DISTRICT 1 STANDARDS FOR DRAINAGE STRUCTURE DETAILS.
 - FOR STRUCTURE AND PIPE INFORMATION SEE DRAINAGE SCHEDULES, SHEETS 129 TO 133.

CONCRETE ADJUSTING RINGS OR CONCRETE BLOCKS FOR TYPE 20 AND TYPE 21 F & G

REVISIONS	
NAME	DATE

ILLINOIS DEPARTMENT OF TRANSPORTATION
 I-55 (BLACK ROAD TO U.S. 30)
 WIDENING AND RESURFACING

DRAINAGE DETAILS - III
CONC GUTTER @ DRAINAGE STRUCTURE
AND STRUCTURE ADJUSTMENT

SCALE: NTS
 DATE: 03/15/07
 DRAWN BY: MRK
 CHECKED BY: TL

TENG
 TENG & ASSOCIATES, INC.
 ENGINEERS/ARCHITECTS/PLANNERS
 CHICAGO, ILLINOIS

PLOT DATE = 03/15/07
 FILE NAME = 031507.DWG
 PLOT SCALE = 1/8"=1'-0"
 USER NAME = TENG