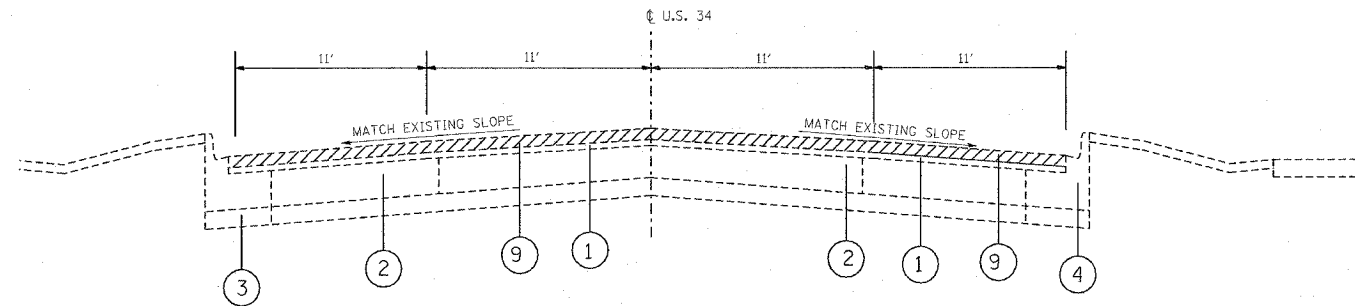


F.A.P. RTE.	SECTION	COUNTY	TOTAL SHEETS	SHEET NO.
311	8 Y-RS-3	COOK	28	5
STA.		TO STA.		
FED. ROAD DIST. NO. 1 ILLINOIS		FED. AID PROJECT		
CONTRACT NO. 60C56				

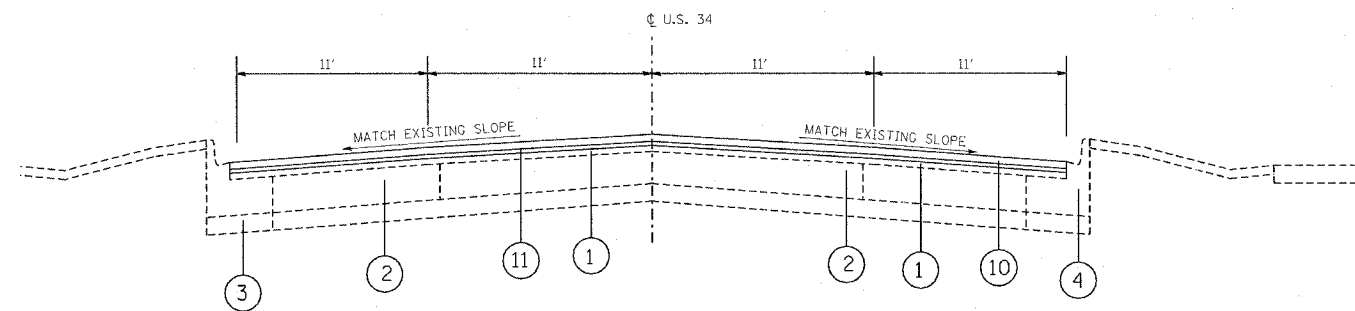


PROPOSED TYPICAL SECTION  
U.S. 34 (OGDEN AVE).

STATION  
9+13 TO 22+93  
44+45 TO 56+76

LEGEND

- ① EXISTING HOT-MIX ASPHALT SURFACE COURSE, 4"(±)
- ② EXISTING PCC BASE COURSE, 9"(±)
- ③ EXISTING SUB-BASE GRANULAR MATERIAL
- ④ EXISTING COMBINATION CONC. CURB & GUTTER TYPE B6.12
- ⑤ EXISTING HMA SHOULDER
- ⑥ EXISTING AGGREGATE SHOULDER
- ⑦ EXISTING STEEL GUARDRAIL
- ⑧ EXISTING P.C. CONC BASE COURSE 12"
- ⑨ HOT-MIX ASPHALT SURFACE REMOVAL - 2 1/2 "
- ⑩ PROPOSED POLYMERIZED HOT-MIX ASPHALT SURFACE COURSE, MIX "F", N90, 1 3/4 "
- ⑪ PROPOSED POLYMERIZED LEVELING BINDER (MM), IL-4.75, N50, 3/4 "



PROPOSED TYPICAL SECTION  
U.S. 34 (OGDEN AVE).

STATION  
9+13 TO 22+93  
44+45 TO 56+76

PLOT DATE = 4/11/2007  
FILE NAME = c:\projects\124287\design\as.dgn  
PLOT SCALE = 50.0000' / IN.  
USER NAME = qurshaj

REVISIONS	
NAME	DATE

ILLINOIS DEPARTMENT OF TRANSPORTATION  
  
U.S. 34  
EXISTING AND PROPOSED  
TYPICAL SECTIONS  
  
SCALE: VERT.      DRAWN BY  
          HORIZ.      CHECKED BY  
DATE